

# 2025 catalog

For CO<sub>2</sub> and fiber laser consumables



## Centricut delivers

- OEM quality nozzles, ceramics and optics
- Technical and application support from our OEM-trained technicians
- 100% satisfaction guarantee



# Contents

Page	Replacement parts suitable for these product lines
4–7	Optics and Accessories
8–22	Amada
23–24, 81–92, 96	BLM-Adige
25–34	Bystronic
35	Cincinnati
81–85, 88–89, 96	Durma
81–85, 88–89, 96	Ermaksan
81–90, 92, 96	Finn Power
81–89, 96	GHT
36–38	HK Laser & Systems
82–84, 88–89, 96	Hans
94	Koike
39–42	LVD
43–64, 82–84, 88–89, 91, 96	Mazak
65–74	Mitsubishi
75	NTC – Beyeler
76–79	Penta
80, 93, 95, 97	Precitec
98–104	Prima Industrie
105–107	Raytools
81–85, 88–90, 96, 108–110	Salvagnini
82–84, 88–89, 96	SHT
111	Tanaka
112–124	Trumpf
125–134	Resources

# CO<sub>2</sub> and fiber laser nozzles

## Nozzle options

All Centricut nozzles are engineered and manufactured to the highest standards. Select the OEM quality nozzle best suited for your application needs

### Copper

Most commonly used nozzle offering good durability and nozzle life. Primary nozzle type for fiber lasers.

### Chrome plated

Shiny, mirror-like finish provides increased spatter resistance, improved durability and longer life than copper nozzles. Not recommended for use on fiber lasers.

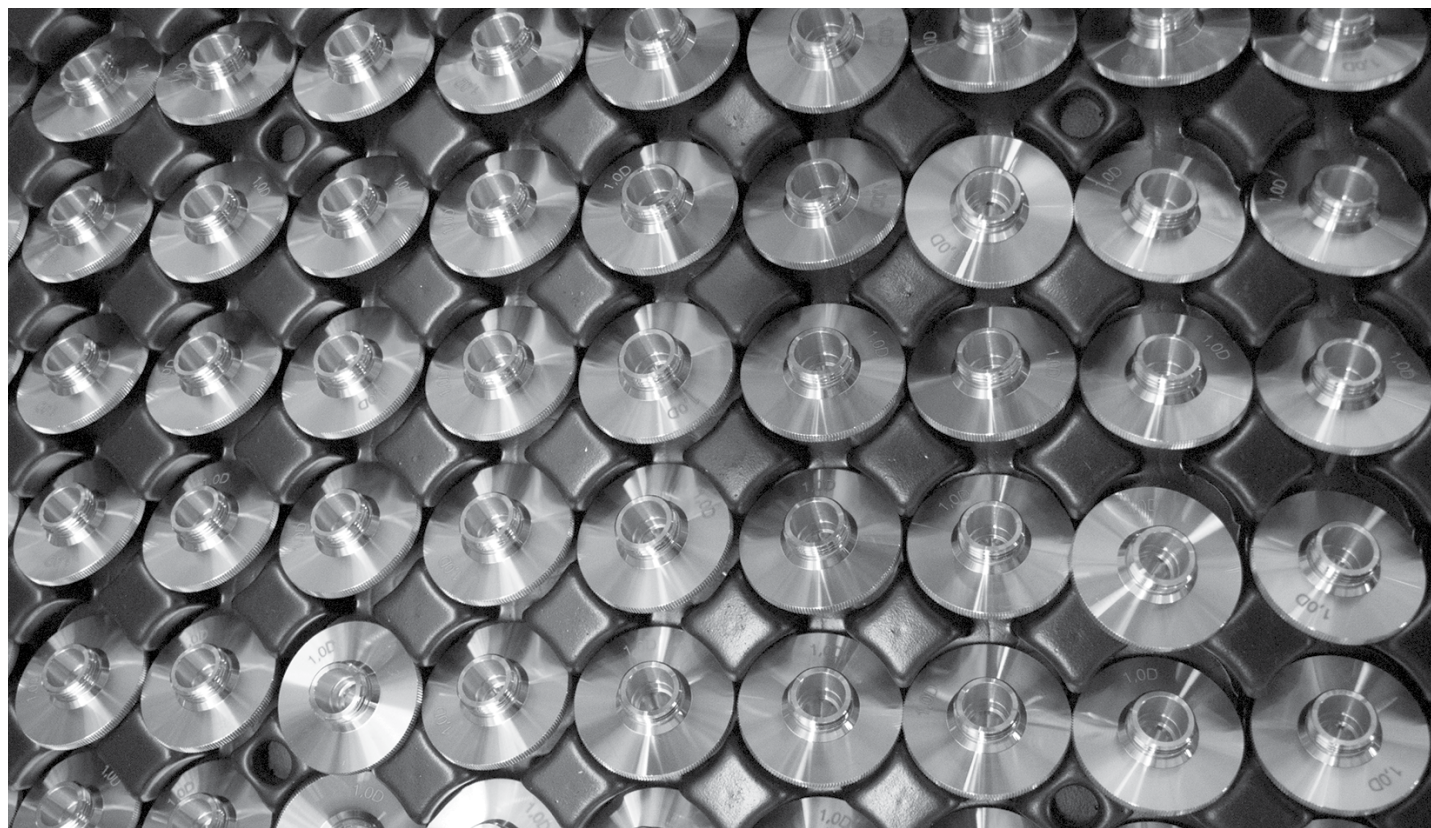
Look for CP in the part number to identify a chrome plated nozzle

### Hard chrome plated

Premium nozzles offering the highest level of durability and longest nozzle life. These nozzles are not as shiny as chrome plated and have a dull appearance. Not recommended for use on fiber lasers.

Look for HCP in the part number to identify a hard chrome nozzle.

CP (chrome plated)	Nozzles plated with chrome for increased durability. These nozzles are easier to clean, resist damage due to 'tip-ups' and have better spatter resistance over non-plated nozzles. For use in all laser cutting applications.
Conical	Conical internal geometry for high pressure, non-ferrous cutting applications using nitrogen, air or argon.
Cylindrical	Cylindrical internal geometry for low pressure, mild steel cutting applications using oxygen.
Double	Insert pressed into a standard cylindrical nozzle for improved edge quality, laminar gas flow and spatter resistance. Primarily used in mild steel applications.
HCP (hard chrome plated)	Enhanced durability chrome plated nozzles. These nozzles are easier to clean, resist damage due to 'tip-ups' and have better spatter resistance over non-plated nozzles. For use in all laser cutting applications.
HP (high pressure) HD (high density)	Conical style nozzle for high pressure, non-ferrous cutting applications using nitrogen, air or argon.
Inner	Also referred to as a 'nozzle insert'. Works in conjunction with an outer nozzle to create a double nozzle. Primarily used in mild steel applications.
Low pressure	Cylindrical style nozzle for low pressure, mild steel cutting applications using oxygen.
Outer	Works in conjunction with an inner nozzle to create a double nozzle. Primarily used in mild steel applications.
Shower	Nozzles with a center orifice surrounded by smaller jets. The smaller jets focus the assist gas into the kerf, creating improved edge quality and the ability to cut thicker material. Primarily used in mild steel applications.



# CO<sub>2</sub> and fiber laser optics

## Optics key

Lens	
MEN	Meniscus
PLX	Plano-convex
MTD	Mounted
Not MTD	Not mounted
PO	Plano
MP5 or ULA	Ultra low absorption
AR	Anti-reflection
ZNSE	Zinc selenide
FS	Fused silica
DIA	Diameter
FL	Focal length
ET	Edge thickness
WD	Working distance

## How to handle optics

Follow these easy steps, when cleaning or changing your optic, to help maximize the life and performance of your lens

- Avoid touching coated surfaces of the lens and hold the optic by its sides
- Wear powder-free finger cots or latex gloves when handling
- Do not use any tools or sharp objects when handling the optic or when removing it from its packaging
- Ensure the work surface is clean and free of oils, grease and dirt
- Do not place the optic on hard surfaces as they scratch easily
- Once the optic has been unpacked, carefully place it on the lens tissue in which it was originally wrapped

## Optics disposal

It is important to dispose of used laser optics at a licensed industrial waste facility which is in compliance with all local, state, and federal regulations. If you don't have access to a licensed industrial waste facility, and purchased your laser optics through Centricut, you may return them to Centricut for proper disposal. This service is only available to Centricut customers.

**All optics returned to Centricut must:**

- Include return authorization and invoice numbers
- Be sealed in a plastic bag to minimize any hazards
- Remove excess ZnSe powder prior to sealing

\*Acceptance of goods will be refused if not packaged correctly or if the return authorization number isn't included



# Optics

ESSE A part number	Reference number	OEM	Description
Fiber laser lens			
LT510	71566490 OPTIC165 6044806	Amada	FS PO/CX LENS 1.5" DIA 7.48" FL NAR/NAR ET=.331"
LT610	OPTIC164 71571525 6037969 71565737 771043800	Amada	FS PO/CX LENS 2" DIA 7.48" FL AR/AR @ 1.08µm ET=.45"
LH96898PVL	1057.81000.070 - 470321	Prima Industrie, Finn Power	LNPX38.1-124.94FS-2000-1064&633-0
LH968987PH	1057.81000.071 - 1058.55047.310 - 470321	Prima Industrie, Finn Power	LNPX38.1-187.41FS-2000-1064&633-0
LH970128PVL	3163010022	Salvagnini	LNPX25.4-200FS-2000-1064&632.8-0
LT810 <b>NEW</b>	OPTIC183 - 6758368	Amada	FS PO/CX LENS 50.8MMDIA 190MMFL ET=11.44MM
LH6554759P <b>NEW</b>	6007348 - 71568226 - 7710714 OPTIC162	Amada	AXICON LENS 2" DIA 185.3FL ET=6mm
LH6042850P <b>NEW</b>	6044677 - 71566488 - 6042850 - OPTIC163	Amada	AXICON LENS 1.5" DIA 185.3FL ET=6mm
LH6979795PH <b>NEW</b>	P0591-1263-00001	Precitec	MOUNTED LENS 200MM FOCUS MODULE
LH5188954P <b>NEW</b>	PENTZG1324CH	Penta	LENSEFS-7980 PO-CX 38.1 DIA 100mm FL
LH5309006P <b>NEW</b>		Penta	LENSEFS-7980 PO-CX 38.1 DIA 125mm FL
LH5214522P <b>NEW</b>	PENTZG817CH	Penta	LENSEFS-7980 PO-CX 38.1 DIA 250mm FL
LH5478919P <b>NEW</b>		Penta	LENSEFS-7980 PO-CX 38.1 DIA 300mm FL

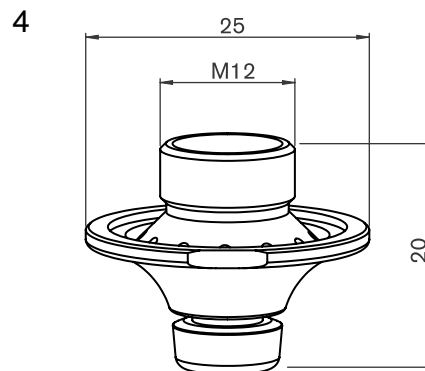
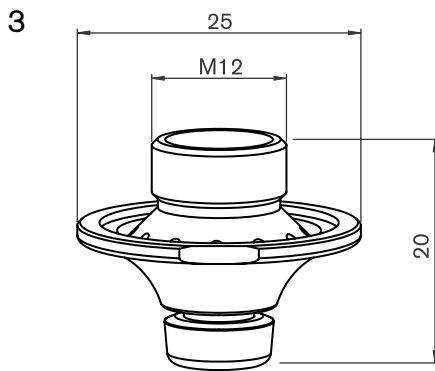
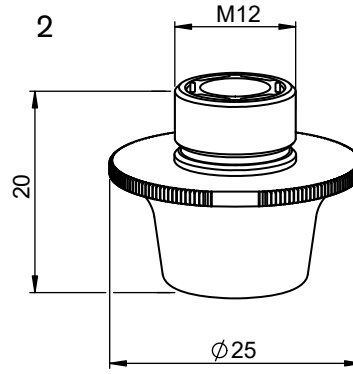
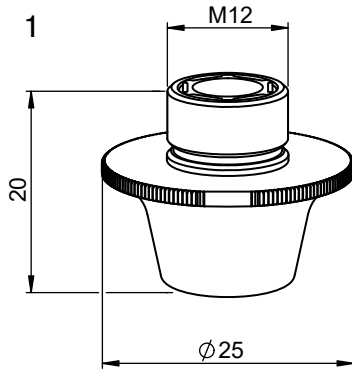
ESSE A part number	Reference number	OEM	Description
Fiber laser windows			
PW0010II	71570026 - OPTIC156	Amada	PROTECTIVE WINDOW OCTAGULAR
PW0032II <b>NEW</b>	OPTIC194 - 71576076	Amada	PROTECTIVE WINDOW 46.0MM DIA, 10.0MM ET
PW0025II <b>NEW</b>		Eagle	PROTECTIVE WINDOW 62.0MM DIA, 9.50MM ET
PW0026II <b>NEW</b>		Mitsubishi	PROTECTIVE WINDOW 25.4MM DIA, 4.0MM ET
PW0017II	71571308 - OPTIC173	Amada	PROTECTIVE WINDOW 45.0MM DIA, 3.0MM ET
PW0006II	10045746 ; 1057.81000.135 ; 29100397	Bystronic	PROTECTIVE WINDOW 36.0MM DIA, 5.0MM ET
PW0021II	10086368; 10071591; 10145862	Bystronic	PROTECTIVE WINDOW 34.0MM DIA, 3.0MM ET
PW0003II		CY Laser	PROTECTIVE WINDOW 38.1MM DIA, 5.0MM ET
PW0012II	Z50SA015350,W495, Z50ZZE00010	Mazak	PROTECTIVE WINDOW 42.0MM DIA, 9.0MM ET
PW0022II <b>NEW</b>	211LCG0020	Raytools	PROTECTIVE WINDOW 24.9MM DIA, 1.5MM ET
PW0023II <b>NEW</b>	211LCG0037	Raytools	PROTECTIVE WINDOW 27.9MM DIA, 4.1MM ET
PW0024II <b>NEW</b>	211LCG0076	Raytools	PROTECTIVE WINDOW 38.1MMDIA, 1.6MMET
PW0027II <b>NEW</b>	211LCG0078; 110255IAG0004; 31200000090; P0595-58601	Raytools	PROTECTIVE WINDOW 37.0MMDIA, 7.0MMET
PW0029II <b>NEW</b>	211LCG0045	Raytools	PROTECTIVE WINDOW 37.0 MM DIA, 1.6MM ET
PW0030II <b>NEW</b>	211LCG0086	Raytools	PROTECTIVE WINDOW 24.9MM DIA, 1.5MM ET 15KW
PW0031II <b>NEW</b>	211LCG0068, P0795-1201-00002	Raytools	PROTECTIVE WINDOW 30.0MMDIA, 5.0MMET
PW0018II		Mitsubishi	PROTECTIVE WINDOW 50.0MMDIA, 8.0MMET
PW0016II		Orotig	PROTECTIVE WINDOW 28.0MMDIA, 4.1MMET
PW0013II	P0589-360-00001 , P0589-360-00002	Precitec	PROTECTIVE WINDOW 22.35MM DIA, 4.0MM ET
PW0014II	P0595-58601	Precitec	PROTECTIVE WINDOW 37.0 MM DIA, 7.0MM ET
PW0009II		Penta	PROTECTIVE WINDOW 25.4MMDIA, 10.0MMET
PW0008II	105781000089 , 1057.81000.200	Prima Industrie	PROTECTIVE WINDOW 35.0MMDIA, 1.5MMET
PW0019II		Prima Industrie	PROTECTIVE WINDOW 30.0MMDIA, 1.5MMET
PW0020II	105781000085	Prima Industrie	PROTECTIVE WINDOW 25.4M DIA, 3.0MMET
PW0004II	3163040008 - 3163040010 - 3163040013	Salvagnini	PROTECTIVE WINDOW 32.0M DIA, 6.35MMET
PW0002II	614767 - 2602937	Trumpf	PROTECTIVE WINDOW 34.0MMDIA, 5.0MM ET
PW0007II	0766719 ; P0795-1201-00002	Trumpf	PROTECTIVE WINDOW 30.0MM DIA, 5.0MM ET

ESSE A part number	Reference number	OEM	Description
<b>CO<sub>2</sub> lenses</b>			
LH123397M	4-07475	Bystronic	ZNSE MEN LENS 1.5"DIA 5.0"FL MP-5AR/MP-5AR@ 10.6 ET=.354" CA=1.24"
LH602033M	4-07476-2	Bystronic	ZNSE MEN LENS 1.5"DIA 7.5"FL MP-5AR/MP-5AR@ 10.6 ET=.354" CA=1.24"
LH784964M		Bystronic	ZNSE MEN LENS 1.5"DIA FL 7.5" ET 0,236" AR/AR
LH621644M	120216, 4-05094, 360033	Bystronic, Prima Industrie, Finn	ZNSE MEN LENS 1.5"DIA 5"FL ET 0,354" AR/AR
LH698637M	4-05095, 360039	Bystronic, Prima Industrie, Finn	ZNSE MEN LENS 1.5"DIA 7.5"FL ET 0,354" AR/AR
LH480176M		LVD	ZNSE MEN LENS 1.75"DIA 5.0"FL AR/AR ET=.354"
LH578662P	OPTIC029	Mazak	ZNSE PO/CX LENS 1.5"DIA 5"FL ET 0.300 AR/AR
LH306068P		Mazak	ZNSE PO/CX LENS 1.5"DIA 7.5"FL AR/AR@10.6 ET=.300"
LH741363P	Z50ZZ013480	Mazak	ZNSE PO/CX LENS 2"DIA 5"FL ET 0.380 AR/AR
LH892020P	OPTIC126	Mazak	ZNSE PO/CX LENS 2.0"DIA 7.5"FL AR/AR@10.6 ET=.310"
LH232771P	OPTIC031, Z50ZZ005200, z50zz00520a	Mazak	ZNSE PO/CX LENS 2.0"DIA 7.5"FL AR/AR@10.6 ET=.380"
LH458138M	LH52450-025M	Prima Industrie, Messer	ZNSE MEN LENS D2" FL5" AR/AR@10.6ET.380"
LH695399M	LH52450-026M 29100055	Prima Industrie, Messer	ZNSE MEN LENS DIA.2.0" FL 7.5" ET=0.380" AR/AR
LH831393M	346104	Trumpf	ZNSE MEN LENS 1.5"DIA 3.75"FL AR/AR@10.6 ET=.290"*
LH312503M		Trumpf	ZNSE MEN LENS 1.5"DIA 5.0"FL MP-5-AR/MP-5-AR@10.6 ET=.290"***
LH474644M		Trumpf	ZNSE MEN LENS 1.5"DIA 7.5"FL MP-5 ARMP5AR ET=.290"
LH977976M	141972	Trumpf	ZNSE MEN LENS 1.5"DIA 8.858"FL ET=.290"AR/AR
LH406294M	088114	Trumpf, Prima Industrie, LVD	ZNSE MEN LENS 1.5"DIA 5"FL ET 0,290" AR/AR
LH702232M	097517	Trumpf, Prima Industrie, LVD	ZNSE MEN LENS 1.5"DIA 7.5"FL ET 0,290" AR/AR
LH861143M	350163		ZNSE MEN 1.5"DIA, 10"FL .29"THK AR/AR
LH769062P <b>NEW</b>	Z50ZZ013470	Mazak	LENS PLX 2.0"DIA/7.5"FL/.380"ET HA
LH158039P <b>NEW</b>	Z50ZZ013480	Mazak	LENS PLX 2.0"DIA/5.0"FL/.380"ET HA
LH628275P <b>NEW</b>		Amada, Mazak	LENS Ø 2.0" - FL 10" - ET 7.87MM PO/CX
LH726477M <b>NEW</b>		Bystronic, Prima Industrie	LENS Ø 1.5" - FL 10" - ET 9.0MM MEN
LH304725P <b>NEW</b>		Amada, Mazak	LENS Ø 2,0" - FL 5,0" - ET 7,87mm
LH5008858M <b>NEW</b>	1383925	Trumpf	LENS Ø 40 MM - FL 155 MM - ET 7,5 MM MEN
LH471041M <b>NEW</b>			LENS D 1.1"-FL2.5" - ET 0.85" MEN
LH400130M <b>NEW</b>	1772319	Trumpf	ZNSE MEN LENS D40 1.575"DIA 5.118"FL AR/AR ET=.295" CUT
LH400250M <b>NEW</b>	1770805	Trumpf	ZNSE MEN LENS D40 1.575"DIA 250MMFL AR/AR ET=.295" CUT
LH500170LMAM <b>NEW</b>	1830767	Trumpf	ZNSE MEN LENS D50 1.968"DIA 6.7"FL AR/AR ET=.350" CUT
LH500250M <b>NEW</b>	1796128	Trumpf	ZNSE MEN LENS D50 1.968"DIA 250MMFL AR/AR ET=.350" CUT
LH471041M			ZNSE MEN LENS 1.100"DIA 2.5"FL AR/AR ET=.085"
LH726477M			ZNSE MEN LENS 1.5"D 10"FL 10.6 ET.354"
LH5008858M	1383925		ZNSE MEN LENS 1.575"DIA 6.102"FL AR/AR ET=0.295" **
LH304725P			ZNSE PO/CX LENS 2"DIA-5"FL-AT=.310"
LH628275P			ZNSE PO/CX LENS 2.0"DIA 10.0"FL AR/AR@10.6 ET=.31"
LH158039P	Z50ZZ013480		ZNSE PO/CX LENS 2.0"DIA 5"FL ET=.380" AR/AR *HIGH ACCURACY* ETV<.000175" & D +0,-.0010
LT410	797341900-71710030000-OPTIC039		ZNSE PO/CX LENS 2.0"DIA 7.5"FL AR/AR@10.6 ET=.380"
LT415 <b>NEW</b>	71710061		ZNSE PO/CX LENS 2.0"DIA10.0"FL AR/AR@10.6 ET=.380"
LH769062P	Z50ZZ013470		ZNSE PO/CX LENS 2.0"DIA 7.5"FL ET=.380" AR/AR *HIGH ACCURACY* ETV<.000175" & D +0,-.0010

# Accessories

Esse A part number	Centricut part number	Reference number	Description	Pkg qty
AL1100			Laser CO <sub>2</sub> glasses ce approved	1
AL1003-100		240568-100	Lens cleaning polish - ml 100	1
AL1003-200		240568-200	Lens cleaning polish - ml 200	1
AL1010	TR300-1010		Dropper, lens cleaning fluid	1
AL1120			Latex gloves (10 pcs)	10
SC50	AM313-SC50		Lens cleaning tissue (50 sheets)	50
SC100	AM313-SC100		Lens cleaning tissue (50 sheets)	50
SC20	TR300-SC20		Cotton swabs (20 pcs)	20
AL1115	TR300-1115		Lens cleaning pre-cut cotton (80 sheets)	80
AL255	TR300-255	91860	Magnifying loop	1
AL271	TR300-271		Base, mirror maintenance	1
AL370			Base, mirror maintenance	1
AL282	TR301-0282		Injector	1
AL276	TR300-276	6910010029/00	Base, mirror maintenance	1
TX762			Lens cleaning swabs	100
TX714A			Large lens cleaning swabs	100
TX759B <b>NEW</b>			Micro lens cleaning swabs	500

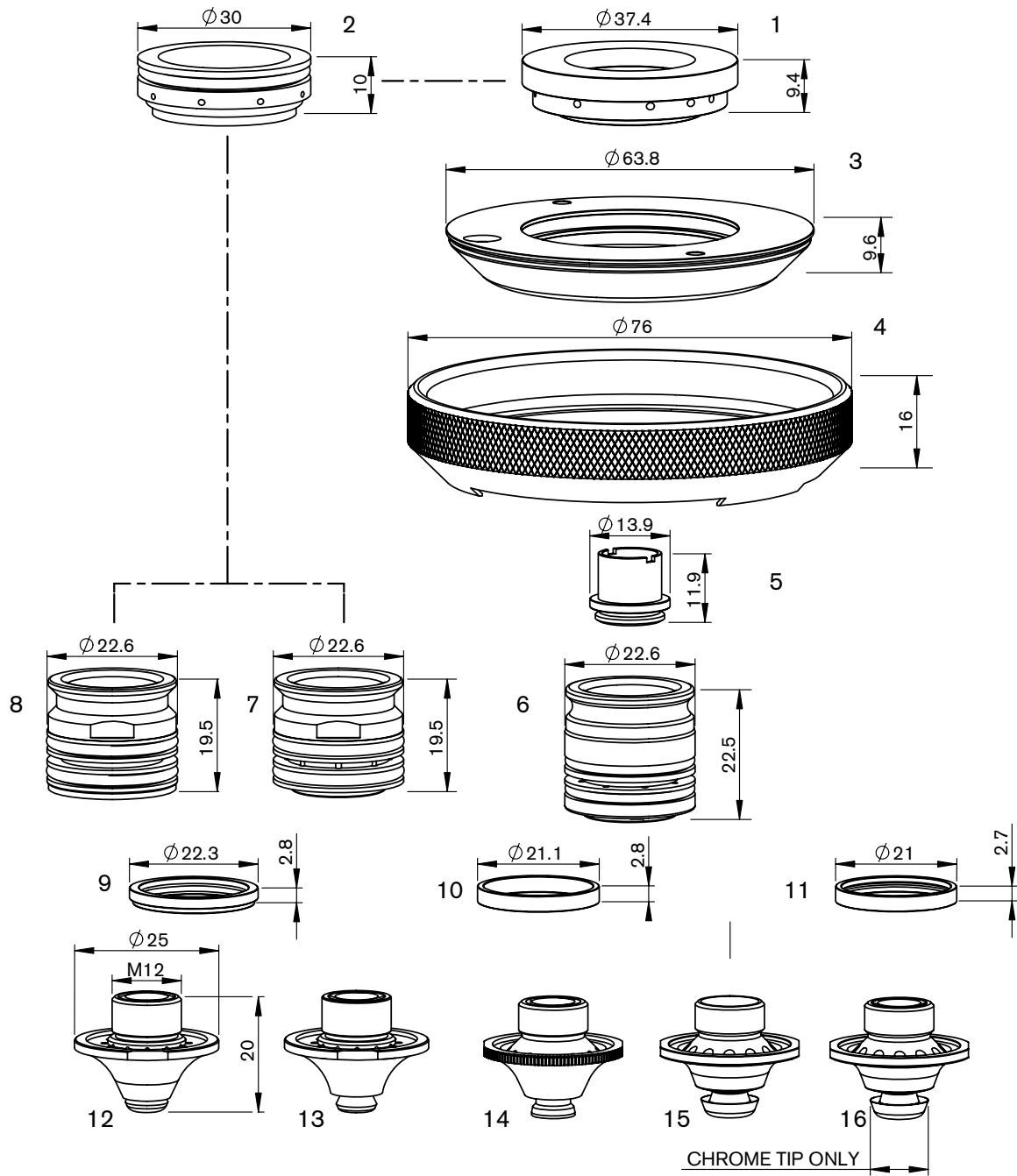




**Consumables**

	Esse A part number	Centricut part number	Reference number	Description	Pkg qty
1	L2260XH	AM367-2667	71572667, D10.0C, 71572975	AM-Nozzle D 10.0 CP	1
2	L2262XH	AM367-2668	71572668, D12.0C, 71572976	AM-Nozzle D 12.0 CP	1
3	L9114XH/TG	AM367-7490HCP-C	71577490	AM-Nozzle w/collar fiber WACS, S1.4FW mm HCP	1
	L9116XH/TG	AM367-7491HCP-C	71577491	AM-Nozzle w/collar fiber WACS, S1.6FW mm HCP	1
4	L9225XH/TG	AM367-7492HCP-C	71577492, 71585093	AM-Nozzle double w/collar fiber WACS, D2.5FW mm HCP	1
	L9240XH/TG	AM367-7493HCP-C	71577493	AM-Nozzle double w/collar fiber WACS, D4.0FW mm HCP	1

\*Amada is a trademark of AMADA CO., LTD. Centricut is in no way directly or indirectly affiliated with AMADA CO., LTD. All parts are made by or for Centricut and are compatible with listed Amada product. Centricut is a registered trademark of Hypertherm, Inc.



**Consumables**

	Esse A part number	Centricut part number	Reference number	Description	Pkg qty
1	AL372	AM367-2349	7973497, 71712349	AM-Holder, PTFE***	1
2	AL340	AM367-2026	71502026	AM-Holder, PTFE***	1
3	AL456XH	AM367-2342	71712342	AM-Cover kit	1
4	AL455XH	AM367-2341	71712341	AM-Nut kit	1
	AL30359	AM367-2344X (not shown)	7172344	AM-Locating Pin (10 pk)*	10
5	AL30392	AM367-6438X	71716438, 71798350	AM-Inner for adapter (10 pk)*	10
	AL360	AM367-0360	71712350, 7973459	AM-Nozzle adapter w/holes	1
6	AL20360	AM367-0360V	71712350, 7973459	AM-Nozzle adapter w/holes (5 pk)*	5
	AL360/AM	AM367-0364	71712350, 7973459	AM-Nozzle adapter w/holes and inner	1
	AL20360/AM	AM367-0364V	71712350, 7973459	AM-Nozzle adapter w/holes and inner(5 pk)*	5

(Continued on next page)

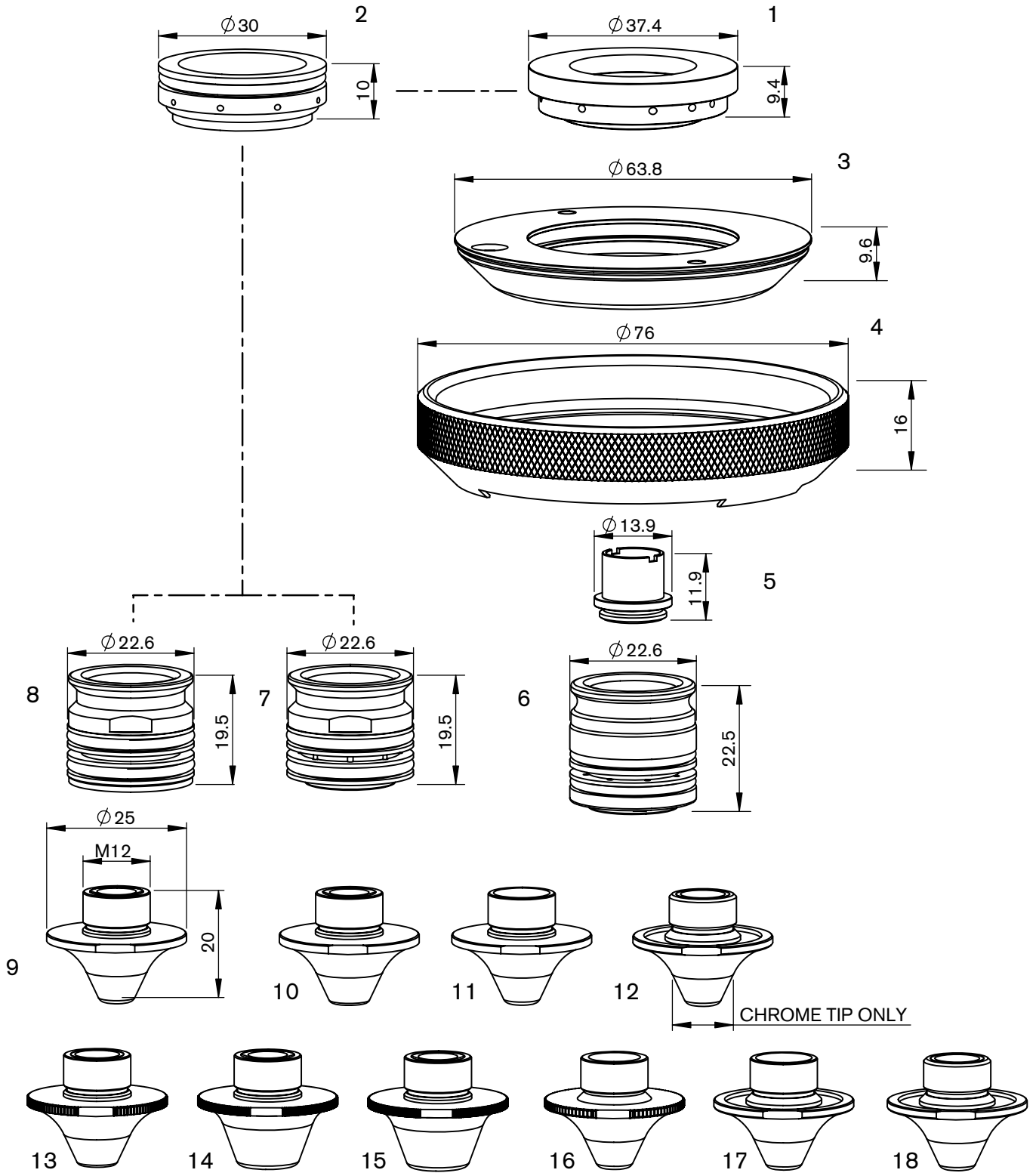
## Consumables

	Esse A part number	Centricut part number	Reference number	Description	Pkg qty
	AL397	AM367-0397 (not shown)		AM-O-ring kit for adapter (AM367-0360/0364)	1
7	AL248	AM367-2036	71502036	AM-Nozzle adapter w/8 holes	1
8	AL348	AM367-3036	71502036	AM-Nozzle adapter w/12 holes	1
9	AL30233	AM367-0853X		AM-O-ring, PTFE*** (10 pk)*	10
10	AL30234	AM367-5853X	71515853	AM-Ring, PTFE*** (10 pk)*	10
11	AL30361	AM367-2340X	71712340	AM-Ring w/groove, PTFE*** (10 pk)*	10
12	L1155X	AM386-2025CP		AM-Nozzle double WACS w/holes, 2.5 mm CP	1
	L1159X	AM386-2041CP	71502040	AM-Nozzle double WACS w/holes, 4.0 mm CP	1
13	L1041X	AM367-1014CP	71502055	AM-Nozzle double WACS w/holes, 1.4 mm CP	1
	L1043X	AM367-1017CP	71461026	AM-Nozzle double WACS w/holes, 1.7 mm CP	1
	L1044X	AM367-1020CP	71461026	AM-Nozzle double WACS w/holes, 2.0 mm CP	1
	L1045X	AM367-2039	71502039, 71515850	AM-Nozzle double WACS w/holes, 2.5 mm CP	1
	L1049X	AM367-2040	71502040	AM-Nozzle double WACS w/holes, 4.0 mm CP	1
14	L301352X/TG	AM367-1160CPX		AM-Nozzle double WACS w/Collar, D1.4 mm CP (10 pk)*	10
	L301353X	AM367-1353CPX		AM-Nozzle double WACS, D1.7 mm CP (10 pk)*	10
	L301353X/TG	AM367-1162CPX		AM-Nozzle double WACS w/Collar, D1.7 mm CP (10 pk)*	10
	L301354X/TG	AM367-1164CPX		AM-Nozzle double WACS w/Collar, D2.0 mm CP (10 pk)*	10
	L301355X	AM367-1355CPX	71502039, 1576400A, 71461026, 1576400D	AM-Nozzle double WACS, D2.5 mm CP (10 pk)*	10
	L301355X/TG	AM367-1156CPX	71712335	AM-Nozzle double WACS w/Collar, D2.5 mm CP (10 pk)*	10
	L9234XH/TG	AM367-2669HCP-C	71572669	AM-Nozzle double w/collar fiber WACS, D3.4FW mm HCP	1
	L301357X/TG	AM367-1169CPX		AM-Nozzle double WACS w/Collar, D3.5 mm CP (10 pk)*	10
	L301359X	AM367-1158CPX		AM-Nozzle double WACS, D4.0 mm CP (10 pk)*	10
	L301359X/TG	AM367-1157CPX	71712336, 71461158, 1576402D	AM-Nozzle double WACS w/Collar, D4.0 mm CP (10 pk)*	10
	L2095X	AM367-2095CP		AM-Nozzle double D2.0 mm EW CP WACS	1
	L2096X	AM367-2096CP		AM-Nozzle double D2.5 mm EW CP WACS	1
15	L301654XH	AM367-0030X	71570030	AM-Nozzle fiber WACS, S1.0 mm Fe HCP (10 pk)*	10
	L301654XH/TG	AM367-0030X-C	71570030	AM-Nozzle w/collar fiber WACS, S1.0 mm Fe HCP (10 pk)*	10
	L301655XH	AM367-0023X	71570023	AM-Nozzle fiber WACS, S1.2 mm Fe HCP (10 pk)*	10
	L301655XH/TG	AM367-0023X-C	71570023	AM-Nozzle w/collar fiber WACS, S1.2 mm Fe HCP (10 pk)*	10
	L301656XH/TG	AM367-0024X-C		AM-Nozzle w/collar fiber WACS, S1.4 mm Fe HCP (10 pk)*	10
	L301658XH	AM367-0026X		AM-Nozzle fiber WACS, S2.0 mm Fe HCP (10 pk)*	10
	L301658XH/TG	AM367-0026X-C		AM-Nozzle w/collar fiber WACS, S2.0 mm Fe HCP (10 pk)*	10
16	L201899XH	AM367-1899CPV		AM-Nozzle double fiber, D1.4 mm Fe HCP (5 pk)**	5
	L201899XH/TG	AM367-1899CPV-C	71571620	AM-Nozzle double fiber w/collar, D1.4 mm Fe HCP (5 pk)**	5
	L201900XH	AM367-1900CPV		AM-Nozzle double fiber, D1.2 mm Fe HCP (5 pk)**	5
	L201900XH/TG	AM367-1900CPV-C	71568227	AM-Nozzle double fiber w/collar, D1.2 mm Fe HCP (5 pk)**	5
	L201901XH	AM367-1901CPV		AM-Nozzle double fiber, D1.5 mm Fe HCP (5 pk)**	5
	L201901XH/TG	AM367-1901CPV-C		AM-Nozzle double fiber w/collar, D1.5 mm Fe HCP (5 pk)**	5
	L201902XH	AM367-1902CPV		AM-Nozzle double fiber, D2.0 mm Fe HCP (5 pk)**	5
	L201902XH/TG	AM367-1902CPV-C	71572665	AM-Nozzle double fiber w/collar, D2.0 mm Fe HCP (5 pk)**	5

\* Centricut parts available in single packs. To order single packs, remove the 'X' at the end of the part number (e.g. AM123-4567X would be AM123-4567). For Esse A parts available in single packs. To order single packs, remove the '30' after the L in the part number (e.g. L301401X would be L401X).

\*\* Centricut parts available in single packs. To order single packs, remove the 'V' at the end of the part number (e.g. LV123-4567V would be LV123-4567). For Esse A parts available in single packs. To order single packs, remove the '20' after the L in the part number (e.g. L20757 would be L757).

\*\*\* PolyTetraFluoroEthylene is a fluorocarbon-based polymer and is commonly abbreviated PTFE. The Teflon® brand of PTFE is manufactured only by DuPont and is not sold by Hypertherm. Hypertherm purchases other brands of PTFE from various high quality manufacturers.



Consumables

	Esse A part number	Centricut part number	Reference number	Description	Pkg qty
1	AL372	AM367-2349	7973497, 71712349	AM-Holder, PTFE***	1
2	AL340	AM367-2026	71502026	AM-Holder, PTFE***	1

(Continued on next page)

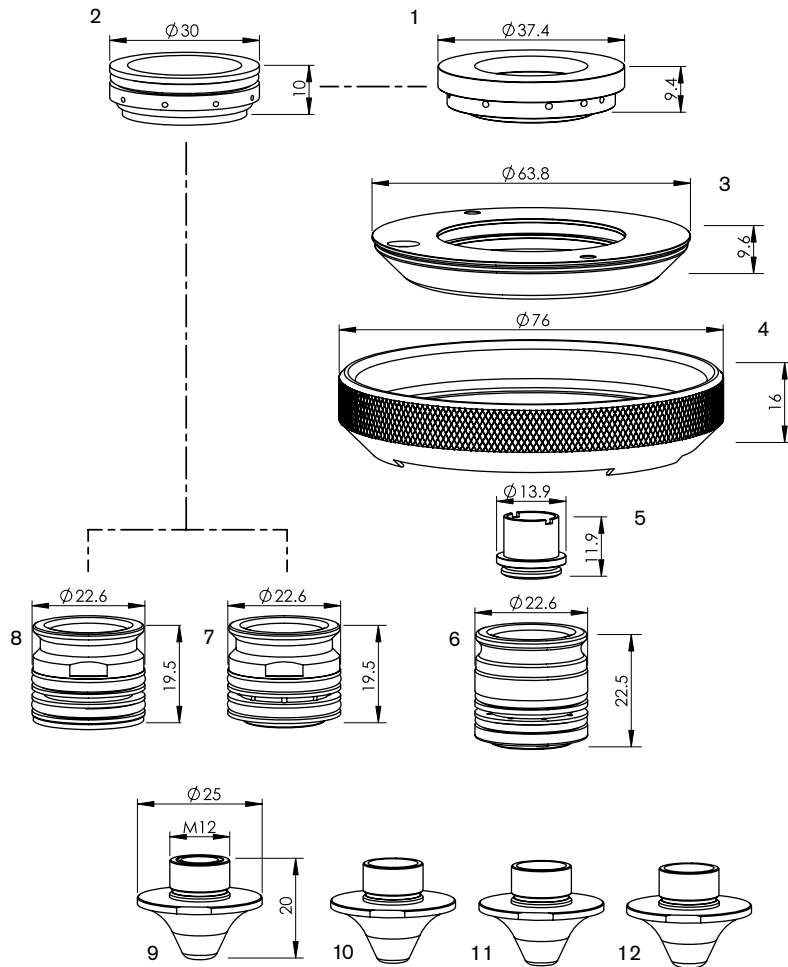
## Consumables

	Esse A part number	Centricut part number	Reference number	Description	Pkg qty
3	AL456XH	AM367-2342	71712342	AM-Cover kit	1
4	AL455XH	AM367-2341	71712341	AM-Nut kit	1
	AL30359	AM367-2344X (not shown)		AM-Locating Pin (10 pk)*	10
5	AL392	AM367-6438	71716438, 71798350	AM-Inner for adapter	1
6	AL360	AM367-0360	71712350, 7973459	AM-Nozzle adapter w/holes	1
	AL20360	AM367-0360V	71712350, 7973459	AM-Nozzle adapter w/holes (5 pk)*	5
	AL360/AM	AM367-0364	71712350, 7973459	AM-Nozzle adapter w/holes and inner	1
	AL20360/AM	AM367-0364V	71712350, 7973459	AM-Nozzle adapter w/holes and inner(5 pk)*	5
	AL397	AM367-0397 (not shown)		AM-O-ring kit for adapter (AM367-0360/0364)	1
7	AL248	AM367-2036	71502036	AM-Nozzle adapter w/8 holes	1
8	AL348	AM367-3036	71502036	AM-Nozzle adapter w/12 holes	1
9	L301401X	AM367-8550X		AM-Nozzle double eco cut, D1.4E mm CP (10 pk)*	10
	L301403X	AM367-6789X	71516789, 71501059	AM-Nozzle double eco cut, D2.5E mm CP (10 pk)*	10
	L301404X	AM367-6795X		AM-Nozzle double eco cut, D3.0E mm CP (10 pk)*	10
	L301405X	AM367-6790X	71516790	AM-Nozzle double eco cut, D4.0E mm CP (10 pk)*	10
10	L301406X	AM367-6791CPX	71501093, D4.0AL	AM-Nozzle double, D4.0 mm AL CP (10 pk)*	10
11	L301407X	AM367-1407CPX	71460102, 71502037, 71566686, S1.2E	AM-Nozzle eco cut, S1.2E mm CP (10 pk)*	10
	L301410X	AM367-1410CPX		AM-Nozzle eco cut, S1.4E mm CP (10 pk)*	10
	L301411X	AM367-1411CPX	71501056, 71712720	AM-Nozzle eco cut, S1.5E mm CP (10 pk)*	10
	L301412X	AM367-1412CPX	71501057, 71555124	AM-Nozzle eco cut, S2.0E mm CP (10 pk)*	10
	L301413X	AM367-1413CPX	71516788, 71501058	AM-Nozzle eco cut, S3.0E mm CP (10 pk)*	10
12	L301645XH	AM367-1163CPX	71570022, D2.0F	AM-Nozzle double, D2.0 mm CP (10 pk)*	10
13	L301415XH	AM367-1727CPX	D2.5CC	AM-Nozzle double clean cut, D2.5 mm HCP (10 pk)*	10
	L301416XH	AM367-1728X	71341728, 1576280A, 71555121, D4.0CC	AM-Nozzle double clean cut, D4.0 mm HCP (10 pk)*	10
14	L301417XH	AM367-1717CPX	D5.0CC	AM-Nozzle double clean cut, D5.0 mm HCP (10 pk)*	10
	L301419XH	AM367-1729CPX	71341729, 1576277A, D7.0CC, 71341719	AM-Nozzle double clean cut, D7.0 mm HCP (10 pk)*	10
	L301425X	AM367-1092CPX	71501092, D7.0AL	AM-Nozzle double clean cut, D7.0 mm AL CP (10 pk)*	10
15	L301420X	AM367-1770CPX	71712692, D7.0SC	AM-Nozzle double silky cut, D7.0 mm Fe CP (10 pk)*	10
16	L301422XH	AM367-1422CPX	71502043, S2.0CC	AM-Nozzle clean cut, S2.0 mm Fe HCP (10 pk)*	10
	L301423XH	AM367-1423CPX	71502044, S3.0CC	AM-Nozzle clean cut, S3.0 mm Fe HCP (10 pk)*	10
	L301424XH	AM367-1424CPX		AM-Nozzle clean cut, S2.5 mm Fe HCP (10 pk)*	10
17	L1561X	AM367-1561	71570021	AM-Nozzle, S1.0F mm CP	1
	L1562X	AM367-1562	71570020	AM-Nozzle, S1.2F mm CP	1
	L1563X	AM367-1563	S1.4FE	AM-Nozzle, S1.4F mm CP	1
18	L301645X	AM367-0020X	71570022	AM-Nozzle double, D2.0 mm F CP (10 pk)*	10
	L301646X	AM367-0025X		AM-Nozzle double, D2.5 mm F CP (10 pk)*	10
	L301649X	AM367-0040X		AM-Nozzle double, D4.0 mm F CP (10 pk)*	10

\* Centricut parts available in single packs. To order single packs, remove the 'X' at the end of the part number (e.g. AM123-4567X would be AM123-4567). For Esse A parts available in single packs. To order single packs, remove the '30' after the L in the part number (e.g. L301401X would be L401X).

\*\* Centricut parts available in single packs. To order single packs, remove the 'V' at the end of the part number (e.g. LV123-4567V would be LV123-4567). For Esse A parts available in single packs. To order single packs, remove the '20' after the L in the part number (e.g. L20757 would be L757).

\*\*\* PolyTetraFluoroEthylene is a fluorocarbon-based polymer and is commonly abbreviated PTFE. The Teflon® brand of PTFE is manufactured only by DuPont and is not sold by Hypertherm. Hypertherm purchases other brands of PTFE from various high quality manufacturers.



## Consumables

	Esse A part number	Centricut part number	Reference number	Description	Pkg qty
1	AL372	AM367-2349	7973497, 71712349	AM-Holder, PTFE***	1
2	AL340	AM367-2026	71502026	AM-Holder, PTFE***	1
3	AL456XH	AM367-2342	71712342	AM-Cover kit	1
4	AL455XH	AM367-2341	71712341	AM-Nut kit	1
	AL30359	AM367-2344X (not shown)	7172344	AM-Locating Pin (10 pk)*	10
5	AL392	AM367-6438	71716438, 71798350	AM-Inner for adapter	1
6	AL360	AM367-0360	71712350, 7973459	AM-Nozzle adapter w/holes	1
	AL20360	AM367-0360V	71712350, 7973459	AM-Nozzle adapter w/holes (5 pk)*	5
	AL360/AM	AM367-0364	71712350, 7973459	AM-Nozzle adapter w/holes and inner	1
	AL20360/AM	AM367-0364V	71712350, 7973459	AM-Nozzle adapter w/holes and inner(5 pk)*	5
	AL397	AM367-0397 (not shown)		AM-O-ring kit for adapter (AM367-0360/0364)	1
7	AL248	AM367-2036	71502036	AM-Nozzle adapter w/8 holes	1
8	AL348	AM367-3036	71502036	AM-Nozzle adapter w/12 holes	1
9	L30585X	AM343-2361-1.2X	1572361	AM-Nozzle double, 1.2 mm CP (10 pk)*	10
	L30586X	AM343-9813X	71369813, 1576396C, 71341779, 71518550	AM-Nozzle double, 1.4 mm CP (10 pk)*	10
	L30574X	AM343-2361-1.7X	1572361, 71518548, 1572380	AM-Nozzle double, 1.7 mm CP (10 pk)*	10
	L30587X	AM343-2361-2.0X	1572361	AM-Nozzle double, 2.0 mm CP (10 pk)*	10
	L30584X	AM343-2361-2.5X	71515394, 71516789, 1576398, 1576398B, 71501059	AM-Nozzle double, 2.5 mm CP (10 pk)*	10
	L30588X	AM343-2361-3X	1572361, 71516788	AM-Nozzle double, 3.0 mm CP (10 pk)*	10
	L30589X	AM343-9817X	71501060, 71515395, 71516790, 1576399B,	AM-Nozzle double, 4.0 mm CP (10 pk)*	10
	L301037X	AM367-1037X		AM-Nozzle double, 4.0 mm /inner 2.0 mm CP (10 pk)*	10

(Continued on next page)

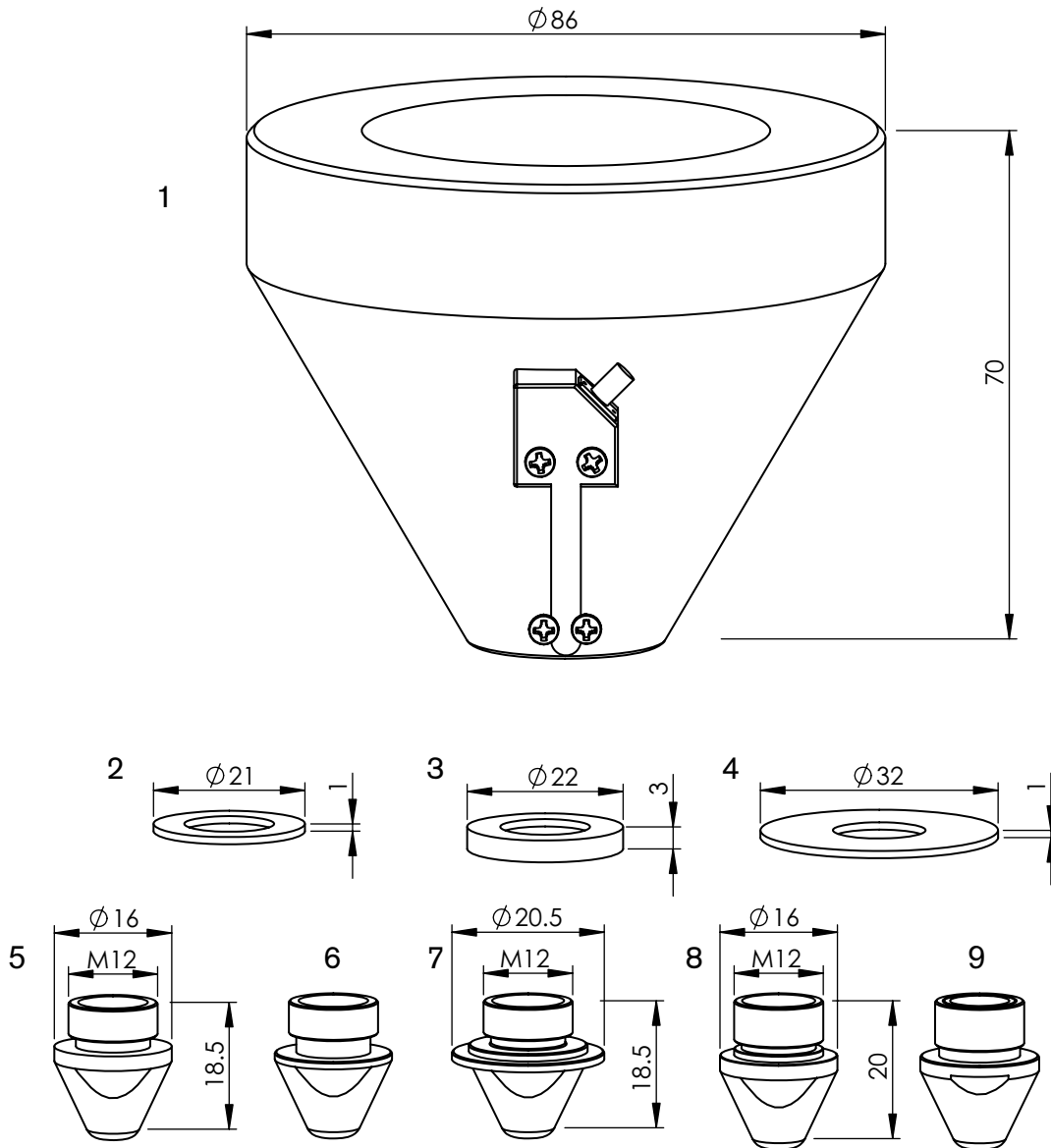
## Consumables

	Esse A part number	Centricut part number	Reference number	Description	Pkg qty
9	L30583X	AM343-2350CPX	1572361	AM-Nozzle double, 5.0 mm CP (10 pk)*	10
	L30569X	AM343-0569X		AM-Nozzle double, 6.0 mm CP (10 pk)*	10
		AM367-1812HCP	1572361, D1.2	AM-Nozzle Double, 1.2mm Hard CP	1
		AM367-1812HCPX	1572361, D1.2	AM-Nozzle Double, 1.2mm Hard CP (10pk)	10
		AM367-1814HCP	71369813, 1576396C, 71341779, 71518550, D1.4	AM-Nozzle Double, 1.4mm Hard CP	1
		AM367-1814HCPX	71369813, 1576396C, 71341779, 71518550, D1.4	AM-Nozzle Double, 1.4mm Hard CP (10 pk)	10
		AM367-1820HCP	1572361, D2.0	AM-Nozzle Double, 2.0mm Hard CP	1
		AM367-1820HCPX	1572361, D2.0	AM-Nozzle Double, 2.0mm Hard CP (10 pk)	10
		AM367-1825HCP	71515394, 71516789, 1576398, 1576398B, 71501059	AM-Nozzle Double, 2.5mm Hard CP	1
		AM367-1825HCPX	71515394, 71516789, 1576398, 1576398B, 71501059	AM-Nozzle Double, 2.5mm Hard CP (10 pk)	10
		AM367-1830HCP	1572361, 71516788	AM-Nozzle Double, 3.0mm Hard CP	1
		AM367-1830HCPX	1572361, 71516788	AM-Nozzle Double, 3.0mm Hard CP (10 pk)	10
		AM367-1840HCP	71501060, 71515395, 71516790	AM-Nozzle Double, 4.0mm Hard CP	1
		AM367-1840HCPX	71501060, 71515395, 71516790	AM-Nozzle Double 4.0mm Hard CP (10 pk)	10
		AM367-1850HCP		AM-Nozzle, Double 5.0mm Hard CP	1
		AM367-1850HCPX		AM-Nozzle, Double5.0mm Hard CP (10 pk)	10
10		AM367-1608HCP	71341781, 71369822, 1572362, 71563584	AM-Nozzle, 0.8 mm Hard CP	1
		AM367-1610HCP	1572367, 1572367A, 7156358	AM-Nozzle, 1.0 mm Hard CP	1
		AM367-1612HCP	71369812, 71461028, 1576410C, 71341778	AM-Nozzle, 1.2 mm Hard CP	1
		AM343-9812CPX		AM-Nozzle, 1.2 mm CP (10 pk)	10
		AM367-1614HCP	1572362	AM-Nozzle, 1.4 mm Hard CP	1
		AM367-1615HCP	1572362, 1572368B	AM-Nozzle, 1.5 mm Hard CP	1
		AM367-1617HCP	1572362	AM-Nozzle, 1.7 mm Hard CP	1
		AM367-1620HCP	71515392, 71369815, 1576411B	AM-Nozzle, 2.0 mm Hard CP	1
		AM367-1625HCP		AM-Nozzle, 2.5 mm Hard CP	1
		AM367-1630HCP	71515393, 1576412B, 1576112	AM-Nozzle, 3.0 mm Hard CP	1
		AM367-1640HCP	1572362	AM-Nozzle, 4.0 mm Hard CP	1
		L30590X	71341781, 71369822, 1572362, 71563584	AM-Nozzle, 0.8 mm CP (10 pk)	10
		L30591X	1572367, 1572367A, 7156358	AM-Nozzle, 1.0 mm CP (10 pk)	10
		L30592X	71369812, 71461028, 1576410C, 71341778	AM-Nozzle, 1.2 mm CP (10 pk)	10
		L30593X	1572362	AM-Nozzle, 1.4 mm CP (10 pk)	10
		L30597X	1572362, 1572368B	AM-Nozzle, 1.5 mm CP (10 pk)	10
	L30575X	1572362	AM-Nozzle, 1.7 mm CP (10 pk)	10	
	L30594X	71515392, 71369815, 1576411B	AM-Nozzle, 2.0 mm CP (10 pk)	10	
	L30572X		AM-Nozzle, 2.5 mm CP (10 pk)	10	
	L30595X	71515393, 1576412B, 1576112	AM-Nozzle, 3.0 mm CP (10 pk)*	10	
	L30596X	1572362	AM-Nozzle, 4.0 mm CP (10 pk)*	10	
11	L301027X	AM343-0004CPX		AM-Nozzle straight taper, 0.8 mm CP (10 pk)*	10
	L301028X	AM343-0005CPX		AM-Nozzle straight taper, 1.0 mm CP (10 pk)*	10
	L301029X	AM343-0006CPX		AM-Nozzle straight taper, 1.2 mm CP (10 pk)*	10
	L301030X	AM343-0007CPX		AM-Nozzle straight taper, 1.4 mm CP (10 pk)*	10
	L30599X	AM343-0001CPX		AM-Nozzle straight taper, 1.5 mm CP (10 pk)*	10
	L30598X	AM343-0002CPX		AM-Nozzle straight taper, 2.0 mm CP (10 pk)*	10
	L30571X	AM343-0003CPX		AM-Nozzle straight taper, 3.0 mm CP (10 pk)*	10
	L571X	AM343-0003CP		AM-Nozzle straight taper, 3.0 mm CP	1
12	L1026X	AM367-2037	71502037	AM-Nozzle w/concave, 1.2 mm CP	1
	L1031X	AM367-2038		AM-Nozzle double w/concave, 1.4 mm CP	1

\* Centricut parts available in single packs. To order single packs, remove the 'X' at the end of the part number (e.g. AM123-4567X would be AM123-4567). For Esse A parts available in single packs. To order single packs, remove the '30' after the L in the part number (e.g. L301401X would be L401X).

\*\* Centricut parts available in single packs. To order single packs, remove the 'V' at the end of the part number (e.g. LV123-4567V would be LV123-4567). For Esse A parts available in single packs. To order single packs, remove the '20' after the L in the part number (e.g. L20757 would be L757).

\*\*\* PolyTetraFluoroEthylene is a fluorocarbon-based polymer and is commonly abbreviated PTFE. The Teflon® brand of PTFE is manufactured only by DuPont and is not sold by Hypertherm. Hypertherm purchases other brands of PTFE from various high quality manufacturers.



**Consumables**

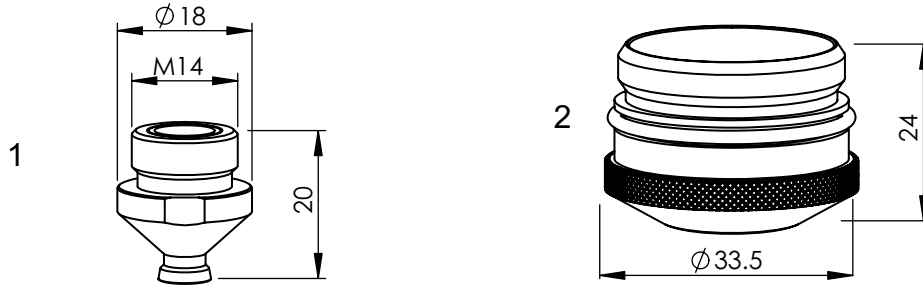
	Esse A part number	Centricut part number	Reference number	Description	Pkg qty
1		AM343-1621	71360091	AM-Sensor cone, HS95	1
		AM343-0091 (not shown)	71341621	AM-Sensor cone, HS95 mini	1
2	AL301005	AM325-325-1X	71341614	AM-Head protection disc, 21 mm plastic (10 pk)*	10
	AL30122	AM325-1614X (not shown)	71341614, 71369818	AM-Head protection disc, 20 mm Vespel (10 pk)*	10
3	AL30123	AM325-325-2X	71341614	AM-Head protection disc, 22 mm ceramic (10 pk)*	10
4	AL42	AM325-9819	71639819	AM-Head protection disc, 32 mm	1

(Continued on next page)

**Consumables**

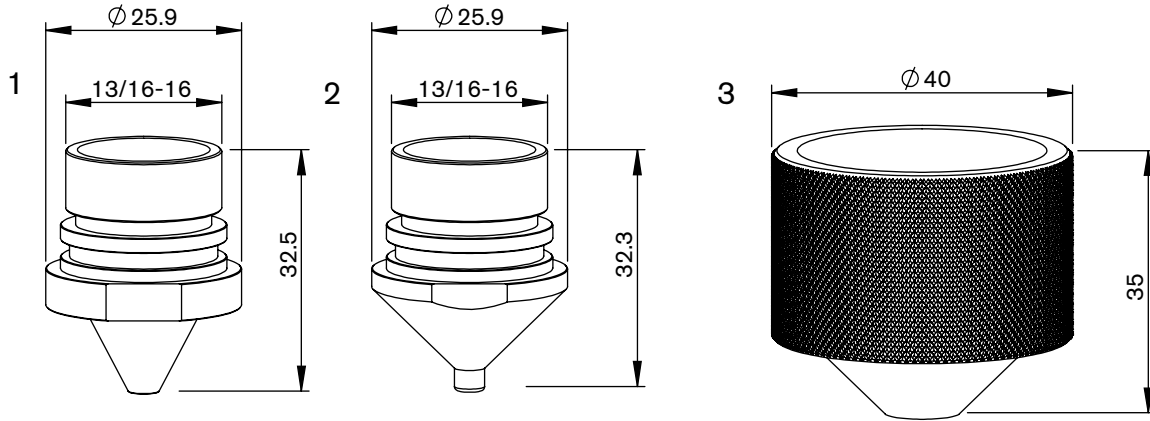
	Esse A part number	Centricut part number	Reference number	Description	Pkg qty
5	L30134X	AM325-0010CPX	1664545U	AM-Nozzle, 1.0 mm CP (10 pk)	10
	L30135X	AM325-0125CPX	1664545U	AM-Nozzle, 1.25 mm CP (10 pk)	10
	L86X	AM325-545U-1.5	1664545U, 71341619, M90115	AM-Nozzle, 1.5 mm CP	1
	L3086X	AM325-0015CPX	1664545U	AM-Nozzle, 1.5 mm CP (10 pk)	10
	L137X	AM325-545U-2.0	1664545U, 71341610, M90114	AM-Nozzle, 2.0 mm CP	1
	L30137X	AM325-0020CPX	1664545U, 71341610	AM-Nozzle, 2.0 mm CP (10 pk)	10
	L30203X	AM325-0025CPX	1664545U	AM-Nozzle, 2.5 mm CP (10 pk)	10
	L30138X	AM325-4544UX	1664545U, 71360142	AM-Nozzle, 3.0 mm CP (10 pk)*	10
	L30339X	AM325-0400CPX		AM-Nozzle, 4.0 mm CP (10 pk)*	10
6	L30196X	AM325-0005CPX		AM-Nozzle, 2.0 mm CP (10 pk)*	10
	L30198X	AM325-0007CPX		AM-Nozzle, 3.0 mm CP (10 pk)*	10
7	L1067X	AM325-1500CP		AM-Nozzle large flange, 1.5 mm CP	1
	L1066X	AM325-2000CP		AM-Nozzle large flange, 2.0 mm CP	1
8	L1285X	AM325-1770	71341770, 1667110	AM-Nozzle, 2.0 mm CP	1
9	L392X	AM326-9864-1.2	1669864, 7134162	AM-Nozzle double, 1.2 mm CP	1
	L393X	AM326-9864-1.4	1669864, 7134162	AM-Nozzle double, 1.4 mm CP	1
	L391X	AM326-9864-1.5	1669864, 7134162	AM-Nozzle double, 1.5 mm CP	1
	L315X	AM326-9864-2.0	1669864, 7134162	AM-Nozzle double, 2.0 mm CP	1
	L316X	AM326-9864-2.5	1669864, 7134162, 41341680, 71341772	AM-Nozzle double, 2.5 mm CP	1
	L317X	AM326-9864-3.0	1669864, 7134163	AM-Nozzle double, 3.0 mm CP	1
	L318X	AM326-9864-4.0	1669795, 71341681	AM-Nozzle double, 4.0 mm CP	1

\* Centricut parts available in single packs. To order single packs, remove the 'X' at the end of the part number (e.g. AM123-4567X would be AM123-4567).  
 For Esse A parts available in single packs. To order single packs, remove the '30' after the L in the part number (e.g. L301401X would be L401X).



**Consumables**

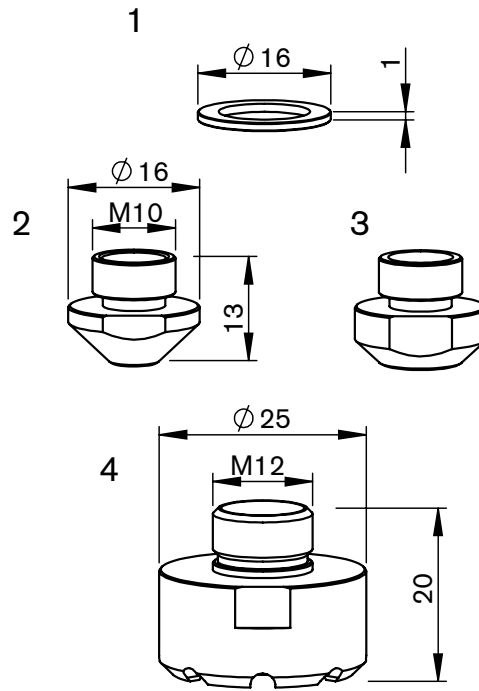
	Esse A part number	Centricut part number	Reference number	Description	Pkg qty
1	L321X	AM326-1218-2.5	6551218, 71341682, 71341680	AM-Nozzle double, 2.5 mm CP	1
	L330X	AM326-4140CP	6551218, 71341682	AM-Nozzle double, 4.0 mm CP	1
2	AL115X	AM326-6452	71366452, 71341684, 6551148A	AM-Nozzle outer, CP	1
	AL93	AM326-S-14 (not shown)	S-14	AM-O-ring for nozzle (10 pcs)	10
	AL94	AM326-6453 (not shown)	71366453	AM-O-ring for outer nozzle (10 pcs)	10



**Consumables**

	Esse A part number	Centricut part number	Reference number	Description	Pkg qty
1	L39X	AM324-6892-2.0	74712001, 6506892	AM-Nozzle, 2.0 mm CP	1
2	L29X	AM308-1901-2.0	71101901, 845735	AM-Nozzle, 2.0 mm CP	1
3	L30X	AM308-1905	71101905, 841143B	AM-Nozzle outer, CP	1
	AL90	AM308-S-20 (not shown)	S-20	AM-O-ring kit (10 pk)	10
		AM308-AS-34 (not shown)	1AS-34	AM-O-ring for outer nozzle	1

\*Amada is a trademark of AMADA CO., LTD. Centricut is in no way directly or indirectly affiliated with AMADA CO., LTD. All parts are made by or for Centricut and are compatible with listed Amada product. Centricut is a registered trademark of Hypertherm, Inc.



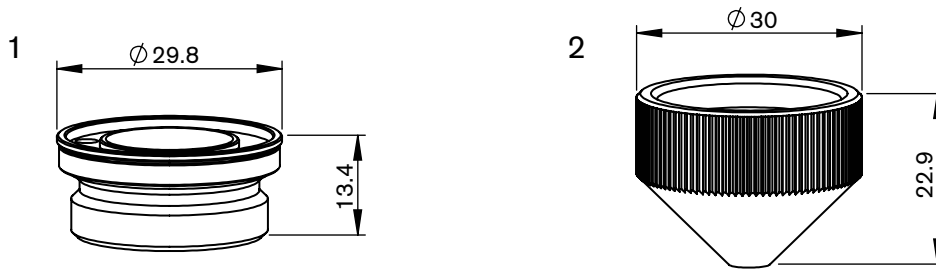
## Consumables

	Esse A part number	Centricut part number	Reference number	Description	Pkg qty
1	AL107	AM325-4006-R	62094006-ring	AM-Head protection disc, 16 mm	1
2	L30173X	AM325-4015CPX	62094006, 1507610	AM-Nozzle, 1.5 mm CP (10 pk)	10
	L27X	AM325-4006-2.0	62094006, 1507611	AM-Nozzle, 2.0 mm CP	1
3	L3027X	AM325-4020CPX	62094006, 1507611	AM-Nozzle, 2.0 mm CP (10 pk)	10
	L752X	AM325-4005-1.5	62094005, 71341515	AM-Nozzle, 1.5 mm CP	1
	L754X	AM325-4005-2.0	62094005, 71102006	AM-Nozzle, 2.0 mm CP	1
4	L756X	AM325-1530CP	62094005, 71341515-3.0	AM-Nozzle, 3.0 mm CP	1
	L1333	AM367-1333		AM-Nozzle, 2.0 mm	1

\* Centricut parts available in single packs. To order single packs, remove the 'X' at the end of the part number (e.g. AM123-4567X would be AM123-4567).

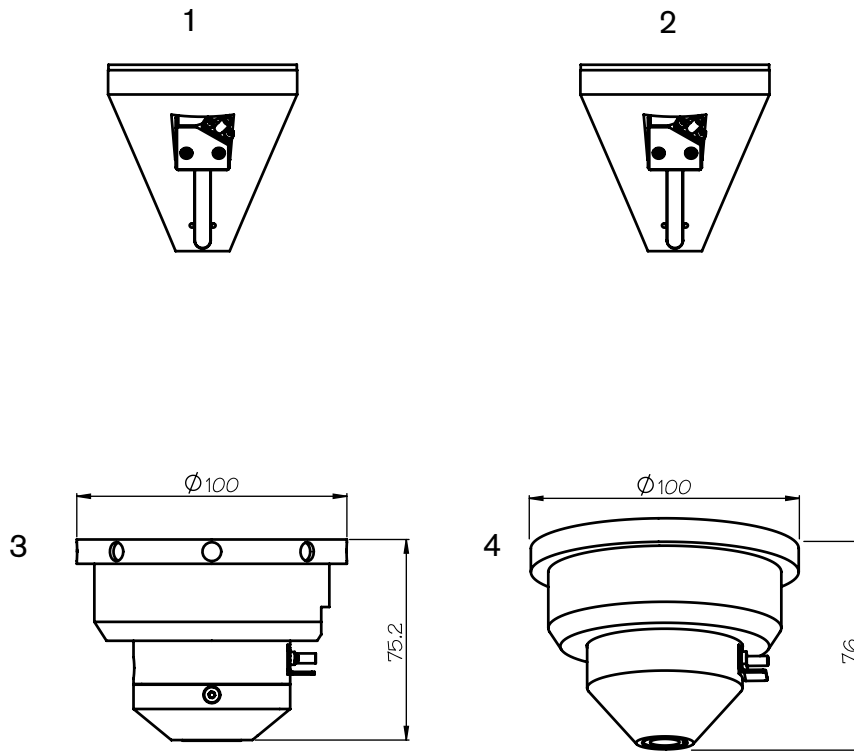
For Esse A parts available in single packs. To order single packs, remove the '30' after the L in the part number (e.g. L301401X would be L401X).

\*\* PolyTetraFluoroEthylene is a fluorocarbon-based polymer and is commonly abbreviated PTFE. The Teflon® brand of PTFE is manufactured only by DuPont and is not sold by Hypertherm. Hypertherm purchases other brands of PTFE from various high quality manufacturers.



**Consumables**

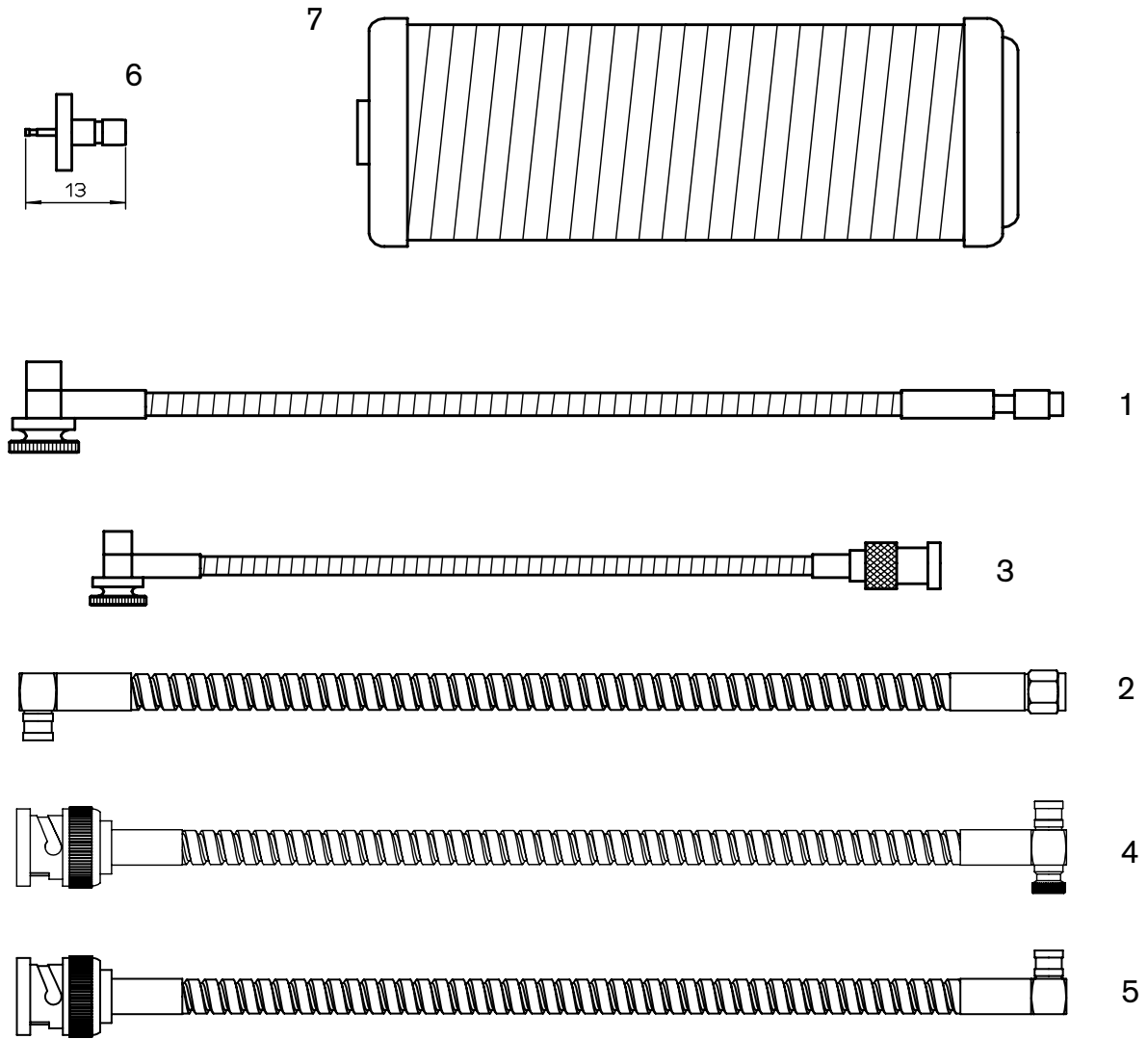
	Esse A part number	Centricut part number	Reference number	Description	Pkg qty
1	AL267	MB334-0001	P0594-860-00001, PHX-INS	MB-Nozzle holder	1
2	AL238	MB316-269S	71800027, BQ933D221H04, P0593-860-00001	MB-Shield cap, short	1



**Consumables**

	Esse A part number	Centricut part number	Reference number	Description	Pkg qty
<b>New Sensor Cones</b>					
1	AL600	AM343-0091	71360091	AM-Sensor cone, HS95 mini	1
2	AL601	AM343-1621	71341621	AM-Sensor cone, HS95	1
3	AL603	AM343-9107	71399107, 71341622	AM-Sensor cone, ECO	1
4	AL602	AM343-1690	71341690	AM-Sensor cone, HS98	1
		AM999-DUSTCAP (not shown)		AM-Dust cap, HPX	1
	AL551	AM343-4233B (not shown)	71567230	AM-Sensor cone, HPL Black	
	AL552	AM343-4233G (not shown)	71564233	AM-Sensor cone, HPL Gold	

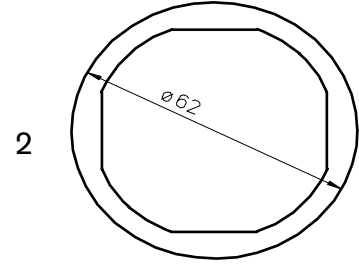
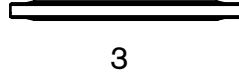
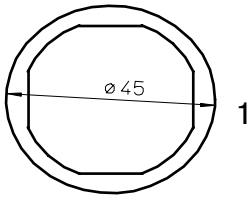
\*Repair is available in N. America for many sensor cones



Consumables

	Esse A part number	Centricut part number	Reference number	Description	Pkg qty
1	AL200	AM313-1901	71341630	AM-Sensor cable, 305 mm (12")	1
2		AM313-1901A	71398293	AM-Sensor cable HS-5, 305 mm (12") premium, armored	1
3	AL260	AM308-8965	71398965, 71517359	AM-Sensor cable, 305 mm (12")	1
4		AM308-8965A	71398965, 71341901	AM-Sensor cable, 305 mm (12") premium, armored	1
5		AM313-9851A	71369851	AM-Sensor cable, 230 mm (8") premium	1
6	AL263	AM308-0001	71398695, 71341630	AM-Sensor cable connector	1
7	71232023	AM313-2023	71232023, 712-32-023, Z50MBP00090	AM-Vacuum pump filter	1
		AM313-1526 (not shown)		AM-Sensor cable ZS6, 530 mm	1
		AM313-8292 (not shown)	71398292	AM-Sensor cable dual shield, 7 meters	1
	AL590	AM313-2436 (not shown)	717124361, 7710104	AM-SENSOR CABLE HS2010, 120MM/60MM	1

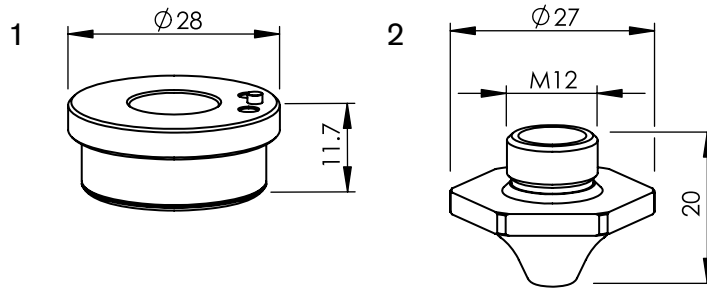
\*PolyTetraFluoroEthylene is a fluorocarbon-based polymer and is commonly abbreviated PTFE. The Teflon® brand of PTFE is manufactured only by DuPont and is not sold by Hypertherm. Hypertherm purchases other brands of PTFE from various high quality manufacturers.



**Consumables**

	Esse A part number	Centricut part number	Reference number	Description	Pkg qty
<b>Centricut lens housings and assemblies</b>					
1	AL52	AM313-0005	71360261, 74721907	AM-Gasket, 1.5" lens housing, PTFE*	1
2	AL149	AM313-9513	71361393	AM-Gasket 2.0" lens housing, PTFE*	1
3	AL249	AM313-1071	71501071	AM-Gasket	1

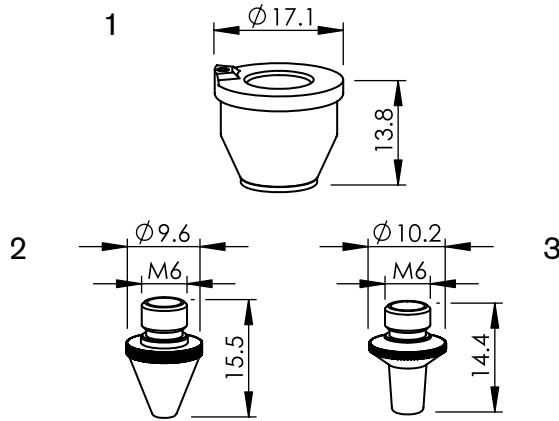
\*PolyTetraFluoroEthylene is a fluorocarbon-based polymer and is commonly abbreviated PTFE. The Teflon<sup>®</sup> brand of PTFE is manufactured only by DuPont and is not sold by Hypertherm. Hypertherm purchases other brands of PTFE from various high quality manufacturers.



## Consumables

	Esse A part number	Centricut part number	Reference number	Description	Pkg qty
1	AL407	BL350-3224	6930003224	PT-Nozzle holder KT B2" - M12	1
	L1851	BL350-0846	6930250846/00	BL-Nozzle SCB, 1.2 mm	1
	L1852	BL350-0847	6930250847/00	BL-Nozzle SCB, 1.5 mm	1
	L1853	BL350-0848	6930250848/00	BL-Nozzle SCB, 1.8 mm	1
	L1854	BL350-0849	6930250849/00	BL-Nozzle SCB, 2.0 mm	1
	L1855	BL350-0850	6930250850/00	BL-Nozzle SCB, 2.3 mm	1
	L1856	BL350-0851	6930250851/00	BL-Nozzle SCB, 2.5 mm	1
	L1850XH	BL350-0800	6930250800/00	BL-Nozzle SCB, 1.0 mm CP	1
	L1851XH	BL350-0801	6930250801/00	BL-Nozzle SCB, 1.2 mm CP	1
	L1852XH	BL350-0802	6930250802/00	BL-Nozzle SCB, 1.5 mm CP	1
	L1853XH	BL350-0803	6930250803/00	BL-Nozzle SCB, 1.8 mm CP	1
	L1854XH	BL350-0804	6930250804/00	BL-Nozzle SCB, 2.0 mm CP	1
	L1855XH	BL350-0805	6930250805/00	BL-Nozzle SCB, 2.3 mm CP	1
	L1856XH	BL350-0806	6930250806/00	BL-Nozzle SCB, 2.5 mm CP	1
	L1857XH	BL350-0807	6930250807/00	BL-Nozzle SCB, 3.0 mm CP	1
	L1858XH	BL350-0808	6930250808/00	BL-Nozzle SCB, 3.5 mm CP	1
	L1859XH	BL350-0809	6930250809/00	BL-Nozzle SCB, 4.0 mm CP	1
	L1870XH	BL350-0810	6930250810/00	BL-Double Nozzle D3F, 1.0 mm - 1.0 CP	1
	L1871XH	BL350-0811	6930250811/00	BL-Double Nozzle D3F, 1.2 mm - 1.0 CP	1
	L1872XH	BL350-0812	6930250812/00	BL-Double Nozzle D3F, 1.5 mm - 1.0 CP	1
	L1873XH	BL350-0813	6930250813/00	BL-Double Nozzle D3F, 1.8 mm - 1.0 CP	1
2	L1874XH	BL350-0814	6930250814/00	BL-Double Nozzle D3F, 2.0 mm - 1.0 CP	1
	L1876XH	BL350-0816	6930250816/00	BL-Double Nozzle D3F, 2.5 mm - 1.5 CP	1
	L1877XH	BL350-0817	6930250817/00	BL-Double Nozzle D3F, 3.0 mm - 1.5 CP	1
	L1878XH	BL350-0818	6930250818/00	BL-Double Nozzle D3F, 3.5 mm - 1.5 CP	1
	L2140XH	BL350-0878	6930250878/00	BL-Double Nozzle D3F, 1.0 mm - 1.5 CP	1
	L2141XH	BL350-0879	6930250879/00	BL-Double Nozzle D3F, 1.2 mm - 1.5 CP	1
	L2142XH	BL350-0880	6930250880/00	BL-Double Nozzle D3F, 1.5 mm - 1.5 CP	1
	L2143XH	BL350-0881	6930250881/00	BL-Double Nozzle D3F, 1.8 mm - 1.5 CP	1
	L2144XH	BL350-0882	6930250882/00	BL-Double Nozzle D3F, 2.0 mm - 1.5 CP	1
	L2145XH	BL350-0883	6930250883/00	BL-Double Nozzle D3F, 2.3 mm - 1.5 CP	1
	L1840XH	BL350-0820	6930250820/00	BL-Nozzle NCB 1.5 mm CP	1
	L1841XH	BL350-0821	6930250821/00	BL-Nozzle NCB, 1.8 mm CP	1
	L1843XH	BL350-0823	6930250823/00	BL-Nozzle NCB, 2.3 mm CP	1
	L1844XH	BL350-0824	6930250824/00	BL-Nozzle NCB, 2.5mm CP	1
	L1846XH	BL350-0826	6930250826/00	BL-Nozzle NCB, 3.5 mm CP	1
	L1847XH	BL350-0827	6930250827/00	BL-Nozzle NCB, 4.0 mm CP	1
	L1864XH	BL350-0841	6930250841/00	BL-Nozzle NCB, 5.0 mm CP	1
	L1832XH	BL350-0840	6930250840	BL-Double Nozzle ACB, 2.5 mm CP	1
	L1833XH	BL350-0839	6930250839	BL-Double Nozzle ACB, 4.0 mm CP	1
	L1864XH	BL350-0841	6930250841/00	BL-Double Nozzle NCB, 5.0 mm CP	1
	L1865XH	BL350-0819	6930250819/00	BL-Double Nozzle NCB, 7.0 mm CP	1

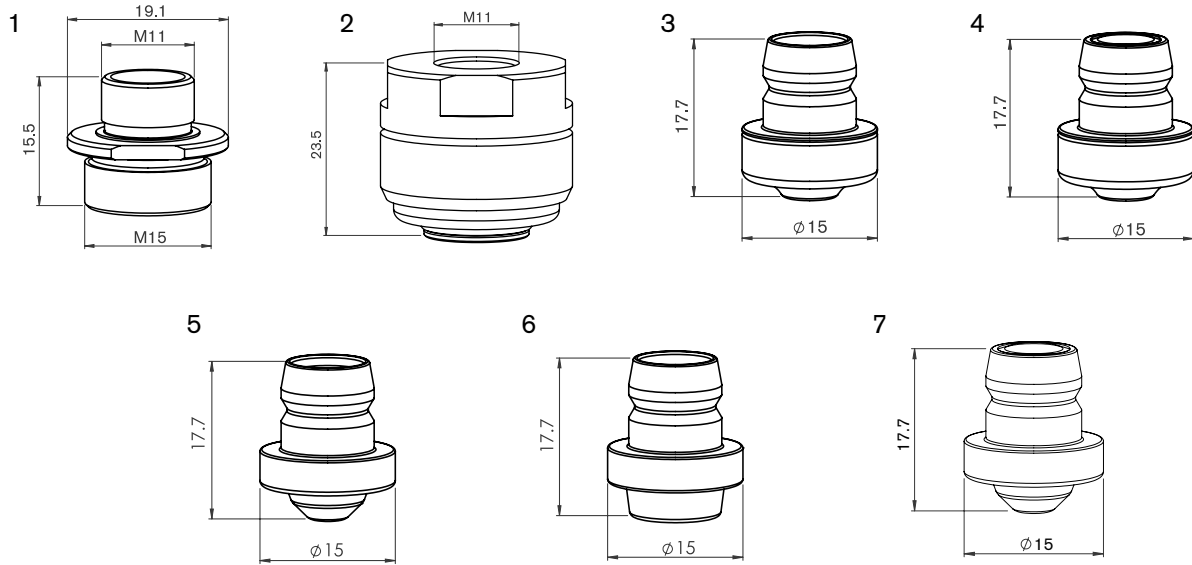
\*BLM is a trademark of BLM Group. Centricut is in no way directly or indirectly affiliated with BLM Group. All parts are made by or for Centricut and are compatible with listed BLM product. Centricut is a registered trademark of Hypertherm, Inc.



## Consumables

	Esse A part number	Centricut part number		Reference number	Description	Pkg qty
1	AL653	TR302-2406	Recommended	280408, 092405, P0494-752-00001, 6930300016	TR-Nozzle holder KT M1.5" KN	1
	AL53	TR302-2405		280408, 092405, P0494-752-00001, 6930300016	TR-Nozzle holder KT M1.5" KN OEM	1
2	L1720	BL360-0031		6930250031/00	BL- Long Nozzle TCL, 1.0 mm	1
	L1721	BL360-0032		6930250032/00	BL- Long Nozzle TCL, 1.2 mm	1
	L1722	BL360-0033		6930250033/00	BL- Long Nozzle TCL, 1.5 mm	1
	L1723	BL360-0034		6930250034/00	BL- Long Nozzle TCL, 1.8 mm	1
	L1724	BL360-0035		6930250035/00	BL- Long Nozzle TCL, 2.0 mm	1
	L1726	BL360-0043		6930250043/00	BL- Long Nozzle TCL, 2.3 mm	1
	L1725	BL360-0036		6930250036/00	BL- Long Nozzle TCL, 2.5 mm	1
	L1727	BL360-0044		6930250044/00	BL- Long Nozzle TCL, 3.0 mm	1
	L2100	BL355-0862		6930250862	BL-Nozzle KNL,1.0 mm	1
	L2101	BL355-0863		6930250863	BL-Nozzle KNL,1.2 mm	1
	L2102	BL355-0835		6930250835	BL-Nozzle KNL,1.5 mm	1
	L2103	BL355-0864		6930250864	BL-Nozzle KNL,1.8 mm	1
	L2104	BL355-0836		6930250836	BL-Nozzle KNL, 2.0 mm	1
	L2105	BL355-0865		6930250865	BL-Nozzle KNL, 2.5 mm	1
	L2106	BL355-0866		6930250866	BL-Nozzle KNL, 3.0 mm	1
	L2110	BL355-0857		6930250857	BL- Double Nozzle KNL, 1.0 mm	1
L2111	BL355-0858		6930250858	BL- Double Nozzle KNL, 1.2 mm	1	
L2112	BL355-0837		6930250837	BL- Double Nozzle KNL, 1.5 mm	1	
L2113	BL355-0859		6930250859	BL- Double Nozzle KNL, 1.8 mm	1	
L2114	BL355-0838		6930250838	BL- Double Nozzle KNL, 2.0 mm	1	
L2115	BL355-0860		6930250860	BL- Double Nozzle KNL, 2.5 mm	1	
L2116	BL355-0861		6930250861	BL- Double Nozzle KNL, 3.0 mm	1	
3	L2061	BL355-5054		0455054	BL-Nozzle 1.0 mm	1
	L2067	BL355-5044		0455044	BL-Nozzle 1.2 mm	1
	L2062	BL355-5034		0455034	BL-Nozzle 1.5 mm	1
	L2063	BL355-5024		0455024	BL-Nozzle 1.8 mm	1
	L2064	BL355-5014		0455014	BL-Nozzle 2.0 mm	1
	L2065	BL355-0762		C50762A	BL-Nozzle 2.5 mm	1

\*BLM is a trademark of BLM Group. Centricut is in no way directly or indirectly affiliated with BLM Group. All parts are made by or for Centricut and are compatible with listed BLM product. Centricut is a registered trademark of Hypertherm, Inc.



**Consumables**

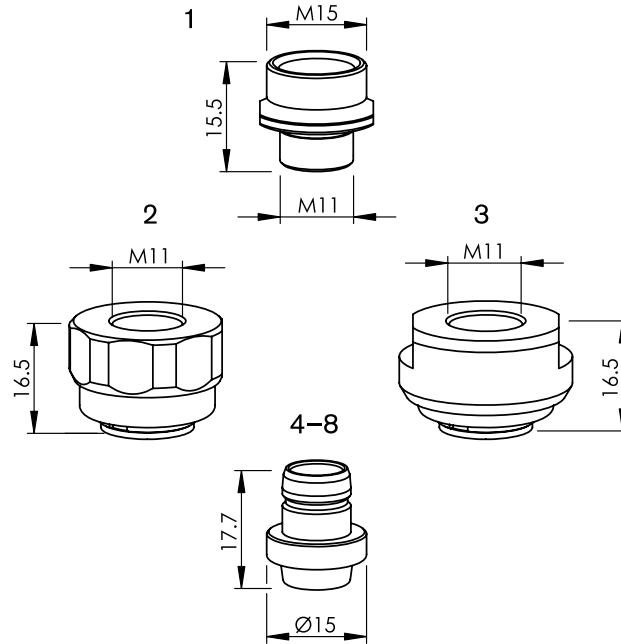
	Esse A part number	Centricut part number	Reference number	Description	Pkg qty
1	AL30453	BY310-5057X	10075057	BY-Breakaway - 10 pack	10
2	AL562	BY310-4605	10114605	BY-PUSH FIT NOZZLE HOLDER PRECISION	1
3	L305310	BY310-7507X	10097507, HK10	BY-NOZZLE 1.0 HK PRECISION	10
	L305312	BY310-7508X	10097508, HK12	BY-NOZZLE 1.25 HK PRECISION	10
	L305315	BY310-7509X	10097509, HK15	BY-NOZZLE 1.5 HK PRECISION	10
	L305317	BY310-7510X	10097510, HK17	BY-NOZZLE 1.75 HK PRECISION	10
	L305320	BY310-7511X	10097511, HK20	BY-NOZZLE 2.0 HK PRECISION	10
	L305325	BY310-7512X	10097512, HK25	BY-NOZZLE 2.5 HK PRECISION	10
	L305330	BY310-7513X	10097513, HK30	BY-NOZZLE 3.0 HK PRECISION	10
	L305335	BY310-7514X	10097514, HK35	BY-NOZZLE 3.5 HK PRECISION	10
4	L305010	BY310-7525X	10097525, NK10-15	BY-DOUBLE NOZZLE 1.0 NK PRECISION	10
	L305012	BY310-7528X	10097528, NK12-15	BY-DOUBLE NOZZLE 1.2 NK PRECISION	10
	L305015	BY310-7531X	10097531, NK15-15	BY-DOUBLE NOZZLE 1.5 NK PRECISION	10
	L305017	BY310-7533X	10097533, NK17-15	BY-DOUBLE NOZZLE 1.7 NK PRECISION	10
	L305817	BY310-9813X <b>NEW</b>	10119813, NK17-17	BY-DOUBLE NOZZLE 1.7 NK PRECISION	10
	L305020	BY310-7534X	10097534, NK20-15	BY-DOUBLE NOZZLE 2.0 NK PRECISION	10
	L305025	BY310-7537X	10097537, NK25-15	BY-DOUBLE NOZZLE 2.5 NK PRECISION	10
	L305825	BY310-7549X	10097549, NK25-20	BY-DOUBLE NOZZLE 2.5 NK PRECISION	10
	L305030	BY310-7543X	10097543, NK30-17	BY-DOUBLE NOZZLE 3.0 NK PRECISION	10
	L305830	BY310-7551X	10097551, NK30-20	BY-DOUBLE NOZZLE 3.0 NK PRECISION	10
	L305035	BY310-7553X	10097553, NK35-17	BY-DOUBLE NOZZLE 3.5 NK PRECISION	10
	L305835	BY310-7552X	10097552, NK35-30	BY-DOUBLE NOZZLE 3.5 NK PRECISION	10
	L305040	BY310-7554X	10097554, NK40-17	BY-DOUBLE NOZZLE 4.0 NK PRECISION	10

\*Bystronic is a trademark of Bystronic Laser AG. Centricut is in no way directly or indirectly affiliated with Bystronic Laser AG. All parts are made by or for Centricut and are compatible with listed Bystronic product. Centricut is a registered trademark of Hypertherm, Inc.

## Consumables

	Esse A part number	Centricut part number	Reference number	Description	Pkg qty
5	L305710	BY310-7149X <b>NEW</b>	10117149, H10	BY-NOZZLE 1.0 H PRECISION	10
	L305712	BY310-7150X <b>NEW</b>	10117150, H12	BY-NOZZLE 1.2 H PRECISION	10
	L305715	BY310-7151X	10117151, H15	BY-NOZZLE 1.5 H PRECISION	10
	L305717	BY310-7153X	10117153, H17	BY-NOZZLE 1.7 H PRECISION	10
	L305720	BY310-7541X	10097541, H20	BY-NOZZLE 2.0 H PRECISION	10
	L305725	BY310-7542X	10097542, H25	BY-NOZZLE 2.5 H PRECISION	10
	L305730	BY310-7154X	10117154, H30	BY-NOZZLE 3.0 H PRECISION	10
	L305735	BY310-7152X	10117152, H35	BY-NOZZLE 3.5 H PRECISION	10
	L305740	BY310-6595X <b>NEW</b>	10156595, H40	BY-NOZZLE 4.0 H PRECISION	10
	L305745	BY310-6596X <b>NEW</b>	10156596, H45	BY-NOZZLE 4.5 H PRECISION	10
	L305750	BY310-1857X <b>NEW</b>	10171857, H50	BY-NOZZLE 5.0 H PRECISION	10
	L305760	BY310-1858X <b>NEW</b>	10171858, H60	BY-NOZZLE 6.0 H PRECISION	10
6	L305920XH	BY310-8049CPX	10118050	BY-NOZZLE PUSH FIT 2.0 F PRECISION CP	10
	L305925XH	BY310-8050CPX	10118051	BY-NOZZLE PUSH FIT 2.5 F PRECISION CP	10
	L305930XH	BY310-8051CPX	10118057	BY-NOZZLE PUSH FIT 3.0 F PRECISION CP	10
	L305935XH	BY310-8052CPX	10118052	BY-NOZZLE PUSH FIT 3.5 F PRECISION CP	10
	L305940XH	BY310-8053CPX	10118053	BY-NOZZLE PUSH FIT 4.0 F PRECISION CP	10
	L305945XH	BY310-8054CPX	10118058	BY-NOZZLE PUSH FIT 4.5 F PRECISION CP	10
	L305950XH	BY310-8055CPX	10118055	BY-NOZZLE PUSH FIT 5.0 F PRECISION CP	10
	L305955XH	BY310-8056CPX	10118054	BY-NOZZLE PUSH FIT 5.5 F PRECISION CP	10
	L305960XH	BY310-8057CPX	10118056	BY-NOZZLE PUSH FIT 6.0 F PRECISION CP	10
	L305970XH	BY310-6086CPX <b>NEW</b>	10166086	BY-NOZZLE PUSH FIT 7.0 F PRECISION CP	10
	L305980XH	BY310-1787CPX <b>NEW</b>	10161787	BY-NOZZLE PUSH FIT 8.0 F PRECISION CP	10
	L3059A0XH	BY310-1790CPX <b>NEW</b>	10161790	BY-NOZZLE PUSH FIT 10.0 F PRECISION CP	10
7	L3052410	BY310-0855X <b>NEW</b>	10140855, N 1015	BY-NOZZLE DOUBLE Ø1.0 N PRECISION	10
	L3052412	BY310-7162X <b>NEW</b>	10117162, N 1215	BY-NOZZLE DOUBLE Ø1.2 N PRECISION	10
	L3052415	BY310-7168X <b>NEW</b>	10117168, N 1515	BY-NOZZLE DOUBLE Ø1.5 N PRECISION	10
	L3052417	BY310-0857X <b>NEW</b>	10140857, N 1715	BY-NOZZLE DOUBLE Ø1.7-1.5 N PRECISION	10
	L3052517	BY310-0875X <b>NEW</b>	10140875, N 1717	BY-NOZZLE DOUBLE Ø1.7-1.7 N PRECISION	10
	L3052420	BY310-7177X <b>NEW</b>	10117177, N 2015	BY-NOZZLE DOUBLE Ø2.0-1.5 N PRECISION	10
	L3052520	BY310-0878X <b>NEW</b>	10140878, N 2017	BY-NOZZLE DOUBLE Ø2.0-1.7 N PRECISION	10
	L3052425	BY310-0858X <b>NEW</b>	10140858, N 2515	BY-NOZZLE DOUBLE Ø2.5-1.5 N PRECISION	10
	L3052525	BY310-0877X <b>NEW</b>	10140877, N 2517	BY-NOZZLE DOUBLE Ø2.5-1.7 N PRECISION	10
	L3052625	BY310-7185X <b>NEW</b>	10117185, N 2520	BY-NOZZLE DOUBLE Ø2.5-2.0 N PRECISION	10
	L3052530	BY310-0861X <b>NEW</b>	10140861, N 3017	BY-NOZZLE DOUBLE Ø3.0-1.7 N PRECISION	10
	L3052630	BY310-0862X <b>NEW</b>	10140862, N 3020	BY-NOZZLE DOUBLE Ø3.0-2.0 N PRECISION	10
	L3052535	BY310-7184X <b>NEW</b>	10117184, N 3517	BY-NOZZLE DOUBLE Ø3.5-1.7 N PRECISION	10
	L3052835	BY310-7187X <b>NEW</b>	10117187, N 3530	BY-NOZZLE DOUBLE Ø3.5-3.0 N PRECISION	10
	L3052540	BY310-0864X <b>NEW</b>	10140864, N 4017	BY-NOZZLE DOUBLE Ø4.0-1.7 N PRECISION	10

\* Centricut parts available in single packs. To order single packs, remove the 'X' at the end of the part number (e.g. AM123-4567X would be AM123-4567). For Esse A parts available in single packs. To order single packs, remove the '30' after the L in the part number (e.g. L301401X would be L401X).



### Consumables

	Esse A part number	Centricut part number	Reference number	Description	Pkg qty
1	AL30453	BY310-5057X	10075057	BY-Breakaway - 10 pack	10
2	AL448	BY310-4594	10074594	BY-Push fit Nozzle holder	1
3	AL548	BY310-7009	10077009	BY-Push fit Nozzle holder	1
	AL592	BY310-3262 (not shown)	10083262	BY-Push fit Nozzle holder and Breakaway	1
4	L301661	BY310-5266X	10035266, HK10	BY-Nozzle, Push Fit 1.0 mm (10 pk)	10
	L301662	BY310-5267X	10035267, HK12	BY-Nozzle, Push Fit 1.2 mm (10 pk)	10
	L301663	BY310-5268X	10035268, HK15	BY-Nozzle, Push Fit 1.5 mm (10 pk)	10
	L301664	BY310-5269X	10035269, HK17	BY-Nozzle, Push Fit 1.7 mm (10 pk)	10
	L301665	BY310-5270X	10035270, HK20	BY-Nozzle, Push Fit 2.0 mm (10 pk)	10
	L301666	BY310-5271X	10035271, HK25	BY-Nozzle, Push Fit 2.5 mm (10 pk)	10
	L301667	BY310-5272X	10035272, HK30	BY-Nozzle, Push Fit 3.0 mm (10 pk)	10
	L301668	BY310-9744X	10049744, HK35	BY-Nozzle, Push Fit 3.5 mm (10 pk)	10
	5	L301670	BY310-9747X	10049747, NK10-15	BY-Nozzle double, Push Fit 1.0 mm (10 pk)
L301671		BY310-5275X	10035275, NK12-15	BY-Nozzle double, Push Fit 1.2 mm (10 pk)*	10
L301672		BY310-5278X	10035278, NK15-15	BY-Nozzle double, Push Fit 1.5 mm (10 pk)*	10
L301673		BY310-5290X	10035290, NK17-15	BY-Nozzle double, Push Fit 1.7 mm (10 pk)	10
L301674		BY310-5292X	10035292, NK20-15	BY-Nozzle double, Push Fit 2.0 mm (10 pk)	10
L301675		BY310-5294X	10035294, NK25-15	BY-Nozzle double, Push Fit 2.5 mm (10 pk)	10
L301676		BY310-5296X	10035296, NK25-20	BY-Nozzle double, Push Fit 2.5 mm/Inner 2.0 mm (10 pk)	10
L301677		BY310-5298X	10035298, NK30-17	BY-Nozzle double, Push Fit 3.0 mm/Inner 1.7 mm (10 pk)	10
L301678		BY310-5301X	10035301, NK30-20	BY-Nozzle double, Push Fit 3.0 mm (10 pk)	10
L301679		BY310-5302X	10035302, NK35-30	BY-Nozzle double, Push Fit 3.5 mm (10 pk)	10
L301680		BY310-8946X	10068496, NK35-17	BY-Nozzle double, Push Fit 3.5 mm (10 pk)*	10
L301681		BY310-8948X	10068496, NK40-17	BY-Nozzle double, Push Fit 4.0 mm (10 pk)*	10
6	L1682	BY310-1682	10039202	BY-Nozzle centering, 2.0 mm	1
7	L1683XH	BY310-6332CP	10066332,35H	BY-Nozzle, 3.5 mm CP	1
	L1684XH	BY310-8494CP	10068494,50H	BY-Nozzle, 5.0 mm CP	1

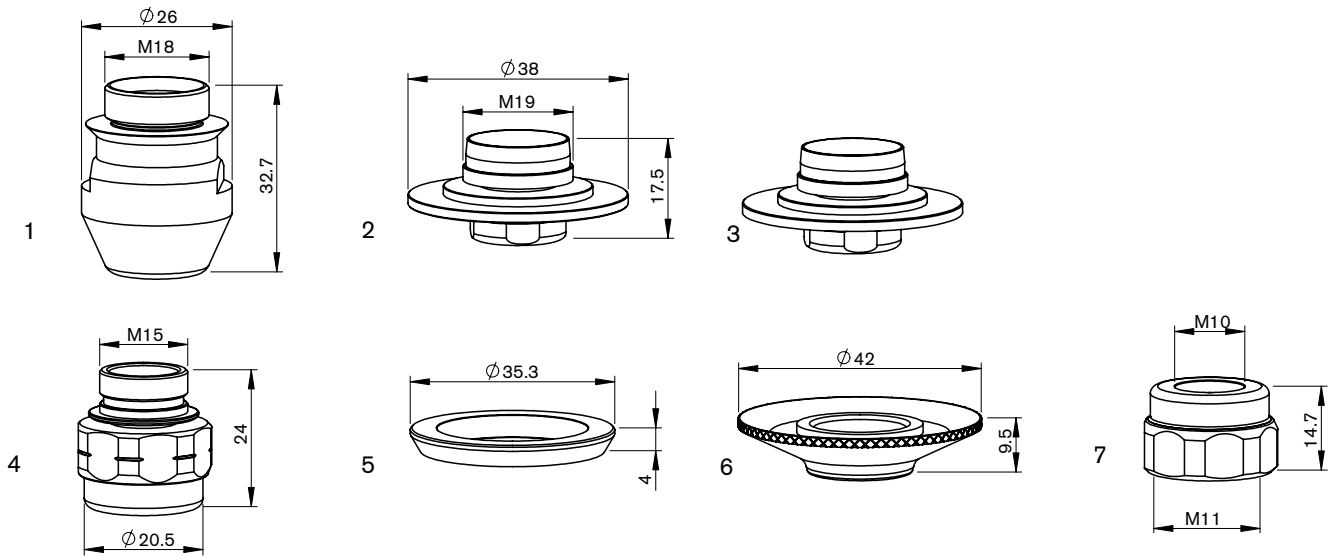
(Continued on next page)

\*Bystronic is a trademark of Bystronic Laser AG. Centricut is in no way directly or indirectly affiliated with Bystronic Laser AG. All parts are made by or for Centricut and are compatible with listed Bystronic product. Centricut is a registered trademark of Hypertherm, Inc.

## Consumables

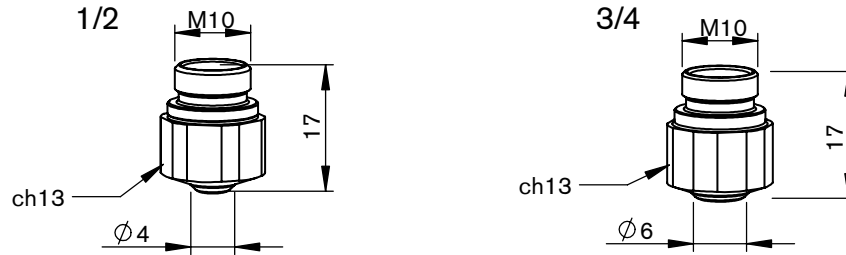
	Esse A part number	Centricut part number	Reference number	Description	Pkg qty
8	L302170	BY310-4700X	10084700	BY-Nozzle F20 DW, Push Fit 2.0 mm (10 pk)	10
	L302171	BY310-4701X	10084701	BY-Nozzle F25 DW, Push Fit 2.5 mm (10 pk)	10
	L302172	BY310-6333X	10066333	BY-Nozzle F30 DW, Push Fit 3.0 mm (10 pk)	10
	L302173	BY310-0091X	10090091	BY-Nozzle F35 DW, Push Fit 3.5 mm (10 pk)	10
	L302174	BY310-6331X	10066331	BY-Nozzle F40 DW, Push Fit 4.0 mm (10 pk)	10
	L302175	BY310-6330X	10066330	BY-Nozzle F45 DW, Push Fit 4.5 mm (10 pk)	10
	L302176	BY310-0092X	10060092	BY-Nozzle F50 DW, Push Fit 5.0 mm (10 pk)	10
	L302177	BY310-6053X	10066053	BY-Nozzle F55 DW, Push Fit 5.5 mm (10 pk)	10
	L302178	BY310-6069X	10066069	BY-Nozzle F60 DW, Push Fit 6.0 mm (10 pk)	10
	L302170XH	BY310-4700CPX	10084700	BY-Nozzle F20 DW, Push Fit 2.0 mm CP (10 pk)	10
	L302171XH	BY310-4701CPX	10084701	BY-Nozzle F25 DW, Push Fit 2.5 mm CP (10 pk)	10
	L302172XH	BY310-6333CPX	10066333	BY-Nozzle F30 DW, Push Fit 3.0 mm CP (10 pk)	10
	L302173XH	BY310-0091CPX	10090091	BY-Nozzle F35 DW, Push Fit 3.5 mm CP (10 pk)	10
	L302174XH	BY310-6331CPX	10066331	BY-Nozzle F40 DW, Push Fit 4.0 mm CP (10 pk)	10
	L302175XH	BY310-6330CPX	10066330	BY-Nozzle F45 DW, Push Fit 4.5 mm CP (10 pk)	10
	L302176XH	BY310-0092CPX	10060092	BY-Nozzle F50 DW, Push Fit 5.0 mm CP (10 pk)	10
	L302177XH	BY310-6053CPX	10066053	BY-Nozzle F55 DW, Push Fit 5.5 mm CP (10 pk)	10
	L302178XH	BY310-6069CPX	10066069	BY-Nozzle F60 DW, Push Fit 6.0 mm CP (10 pk)	10

\* Centricut parts available in single packs. To order single packs, remove the 'X' at the end of the part number (e.g. AM123-4567X would be AM123-4567).  
For Esse A parts available in single packs. To order single packs, remove the '30' after the L in the part number (e.g. L301401X would be L401X).



## Consumables

	Esse A part number	Centricut part number	Reference number	Description	Pkg qty
1	AL450	BY328-4061	10034061	BY-Nozzle holder	1
2	AL451	BY328-6030	10046030	BY-Nozzle adapter	1
3	AL452	BY328-1133	10051133, mSB-80, 08-12-04-9028	BY-Nozzle adapter MSB	1
4	AL449	BY328-4099	10064099	BY-Nozzle body	1
5	AL441	BY328-9016	10046025	BY-Isolator ring, ceramic	1
6	AL398	BY310-0398		BY-CL nut	1
7	AL454	BY310-1494	10071494, 10083331	BY-Nozzle body threaded	1

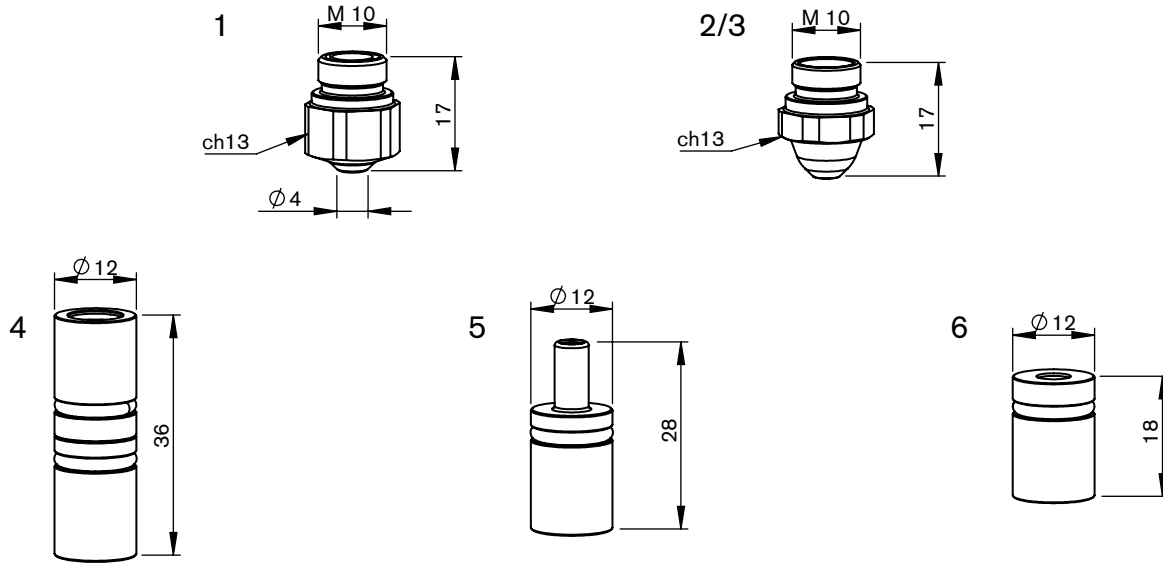

**Consumables**

	Esse A part number	Centricut part number	Reference number	Description	Pkg qty
1	L30674	BY310-4277X	3-04277, HK08	BY-Nozzle HD, 0.8 mm (10 pk)*	10
	L3072	BY310-1910X	3-01910, HK10	BY-Nozzle HD, 1.0 mm (10 pk)*	10
	L30121	BY310-1911X	3-01911, HK12	BY-Nozzle HD, 1.25 mm (10 pk)*	10
	L3073	BY310-1912X	3-01912, HK15	BY-Nozzle HD, 1.5 mm (10 pk)*	10
	L30122	BY310-1913X	3-01913, HK17	BY-Nozzle HD, 1.75 mm (10 pk)*	10
	L3072X	BY310-1910CPX	3-01910, HK10	BY-Nozzle HD, 1.0 mm CP (10 pk)*	10
	L30121X	BY310-1911CPX	3-01911, HK12	BY-Nozzle HD, 1.25 mm CP (10 pk)*	10
	L3073X	BY310-1912CPX	3-01912, HK15	BY-Nozzle HD, 1.5 mm CP (10 pk)*	10
	L30122X	BY310-1913CPX	3-01913, HK17	BY-Nozzle HD, 1.75 mm CP (10 pk)*	10
2	L30116	BY310-1905X	3-01905, K10	BY-Nozzle, 1.0 mm (10 pk)*	10
	L30117	BY310-1906X	3-01906, K12	BY-Nozzle, 1.25 mm (10 pk)*	10
	L30118	BY310-1907X	3-01907, K15	BY-Nozzle, 1.5 mm (10 pk)*	10
3	L30123	BY310-1914X	3-01914, HK20	BY-Nozzle HD, 2.0 mm (10 pk)*	10
	L30140	BY310-1915X	3-03854, HK25	BY-Nozzle HD, 2.5 mm (10 pk)*	10
	L30265	BY310-6112X	3-06112, HK30	BY-Nozzle HD, 3.0 mm (10 pk)*	10
	L30700	BY310-0035X	HK35, 10045748	BY-Nozzle HD, 3.5 mm (10 pk)	10
	L30701	BY310-0040X	HK40	BY-Nozzle HD, 4.0 mm (10 pk)	10
	L30123X	BY310-1914CPX		BY-Nozzle HD, 2.0 mm CP (10 pk)*	10
	L30140X	BY310-1915CPX		BY-Nozzle HD, 2.5 mm CP (10 pk)*	10
	L30265X	BY310-6112CPX		BY-Nozzle HD, 3.0 mm CP (10 pk)*	10
4	L301363	BY310-6058X	3-16058, NK10-15	BY-Nozzle double, 1.0 mm (10 pk)*	10
	L301364	BY310-6059X	3-16059, NK12-15	BY-Nozzle double, 1.25 mm (10 pk)*	10
	L301365	BY310-6060X	3-16060, NK15-15	BY-Nozzle double, 1.5 mm (10 pk)*	10
	L301366	BY310-4317X	3-14317, NK17-15	BY-Nozzle double, 1.75 mm (10 pk)*	10
	L30604	BY310-0005X	3-14318, NK20-15	BY-Nozzle double, 2.0 mm (10 pk)*	10
	L30605	BY310-0006X	3-14319, NK25-15	BY-Nozzle double, 2.5 mm (10 pk)*	10
	L30612	BY310-6256X	3-16256, NK25-20	BY-Nozzle double, 2.5 mm/Inner 2.0 mm (10 pk)*	10
	L30613	BY310-6061X	3-16061, NK30-17	BY-Nozzle double, 3.0 mm/Inner 1.75 mm (10 pk)*	10
	L30606	BY310-0007X	3-16257, NK30-20	BY-Nozzle double, 3.0 mm (10 pk)*	10
	L30607	BY310-3530X	NK35-30	BY-Nozzle double, 3.5 mm/Inner 3.0 mm (10 pk)*	10
	L301363X	BY310-6058CPX		BY-Nozzle double, 1.0 mm CP (10 pk)	10
	L301364X	BY310-6059CPX		BY-Nozzle double, 1.25 mm CP (10 pk)*	10
	L301365X	BY310-6060CPX		BY-Nozzle double, 1.5 mm CP (10 pk)	10
	L301366X	BY310-4317CPX		BY-Nozzle double, 1.75 mm CP (10 pk)	10
	L30604X	BY310-0005CPX		BY-Nozzle double, 2.0 mm CP (10 pk)	10
	L30605X	BY310-0006CPX		BY-Nozzle double, 2.5 mm CP (10 pk)	10
	L30612X	BY310-6256CPX		BY-Nozzle double, 2.5 mm/Inner 2.0 mm CP (10 pk)*	10
	L30613X	BY310-6061CPX		BY-Nozzle double, 3.0 mm/Inner 1.75 mm CP (10 pk)	10
	L30606X	BY310-0007CPX		BY-Nozzle double, 3.0 mm CP (10 pk)	10
	L30607X	BY310-3530CPX		BY-Nozzle double, 3.5 mm/Inner 3.0 mm CP (10 pk)	10

\* Centricut parts available in single packs. To order single packs, remove the 'X' at the end of the part number (e.g. AM123-4567X would be AM123-4567).

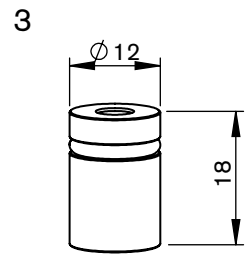
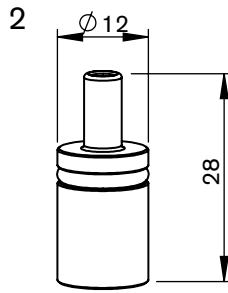
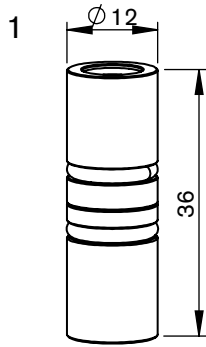
For Esse A parts available in single packs. To order single packs, remove the '30' after the L in the part number (e.g. L301401X would be L401X).

For nozzle bodies and associated parts see pages 28–30.


**Consumables**

	Esse A part number	Centricut part number	Reference number	Description	Pkg qty
1	L30600	BY310-0001X		BY-Nozzle double, 1.0 mm (10 pk)	10
	L30601	BY310-0002X		BY-Nozzle double, 1.25 mm (10 pk)*	10
	L30602	BY310-0003X		BY-Nozzle double, 1.5 mm (10 pk)*	10
	L30603	BY310-0004X		BY-Nozzle double, 1.75 mm (10 pk)*	10
	L30601X	BY310-0002CPX		BY-Nozzle double, 1.25 mm CP (10 pk)*	10
	L30602X	BY310-0003CPX		BY-Nozzle double, 1.5 mm CP (10 pk)*	10
	L30603X	BY310-0004CPX		BY-Nozzle double, 1.75 mm CP (10 pk)*	10
2	L3098	BY319-1894X	3-01894, 10	BY-Nozzle, 1.0 mm (10 pk)	10
	L30102	BY319-1898X	3-01898, 20	BY-Nozzle, 2.0 mm (10 pk)	10
	L30673	BY319-4275X	3-04275, H08	BY-Nozzle HD, 0.8 mm (10 pk)	10
	L3088	BY319-1899X	3-01899, H10	BY-Nozzle HD, 1.0 mm (10 pk)*	10
	L30103	BY319-1900X	3-01900, H12	BY-Nozzle HD, 1.25 mm (10 pk)	10
	L30104	BY319-1901X	3-01901, H15	BY-Nozzle HD, 1.5 mm (10 pk)*	10
	L30105	BY319-1902X	3-01902, H17	BY-Nozzle HD, 1.75 mm (10 pk)*	10
	L30106	BY319-1903X	3-01903, H20	BY-Nozzle HD, 2.0 mm (10 pk)*	10
	L30677	BY319-4276X	3-04276, H25	BY-Nozzle HD, 2.5 mm (10 pk)*	10
	L30679	BY319-0030X	H30	BY-Nozzle HD, 3.0 mm (10 pk)	10
	L3088X	BY319-1899CPX	3-01899, H10	BY-Nozzle HD, 1.0 mm CP (10 pk)	10
	L30677X	BY319-4276CPX	3-04276, H25	BY-Nozzle HD, 2.5 mm CP (10 pk)	10
	L30679X	BY319-0030CPX	H30	BY-Nozzle HD, 3.0 mm CP (10 pk)	10
	3	L301252	BY319-1515X	N15-15	BY-Nozzle double, 1.5 mm (10 pk)
L301254		BY319-2015X	N20-15	BY-Nozzle double, 2.0 mm (10 pk)	10
L301256		BY319-2520X	N25-20	BY-Nozzle double, 2.5 mm (10 pk)	10
L301258		BY319-3020X	N30-20	BY-Nozzle double, 3.0 mm (10 pk)	10
4	AL418	BY327-3210	7023207, 7023208	BY-Water connector set	1
5	AL416	BY328-3207	7023207	BY-Water connector, male	1
6	AL417	BY328-3208	7023208	BY-Water connector, female	1

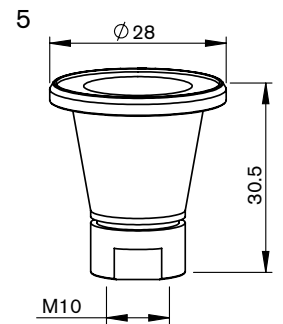
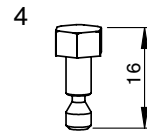
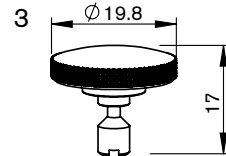
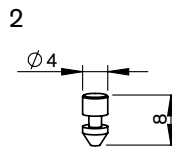
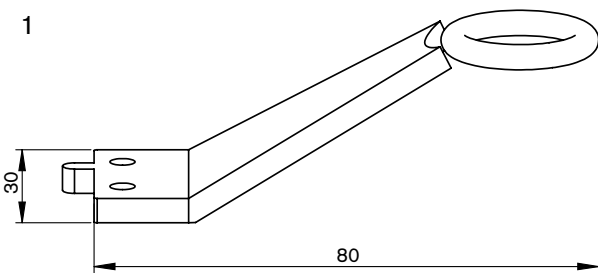
\* Centricut parts available in single packs. To order single packs, remove the 'X' at the end of the part number (e.g. AM123-4567X would be AM123-4567).  
 For Esse A parts available in single packs. To order single packs, remove the '30' after the L in the part number (e.g. L301401X would be L401X).  
 For nozzle bodies and associated parts see pages 28-30.



**Consumables**

	Esse A part number	Centricut part number	Reference number	Description	Pkg qty
1	AL418	BY327-3210	7023207, 7023208	BY-Water connector set	1
2	AL416	BY328-3207	7023207	BY-Water connector, male	1
3	AL417	BY328-3208	7023208	BY-Water connector, female	1

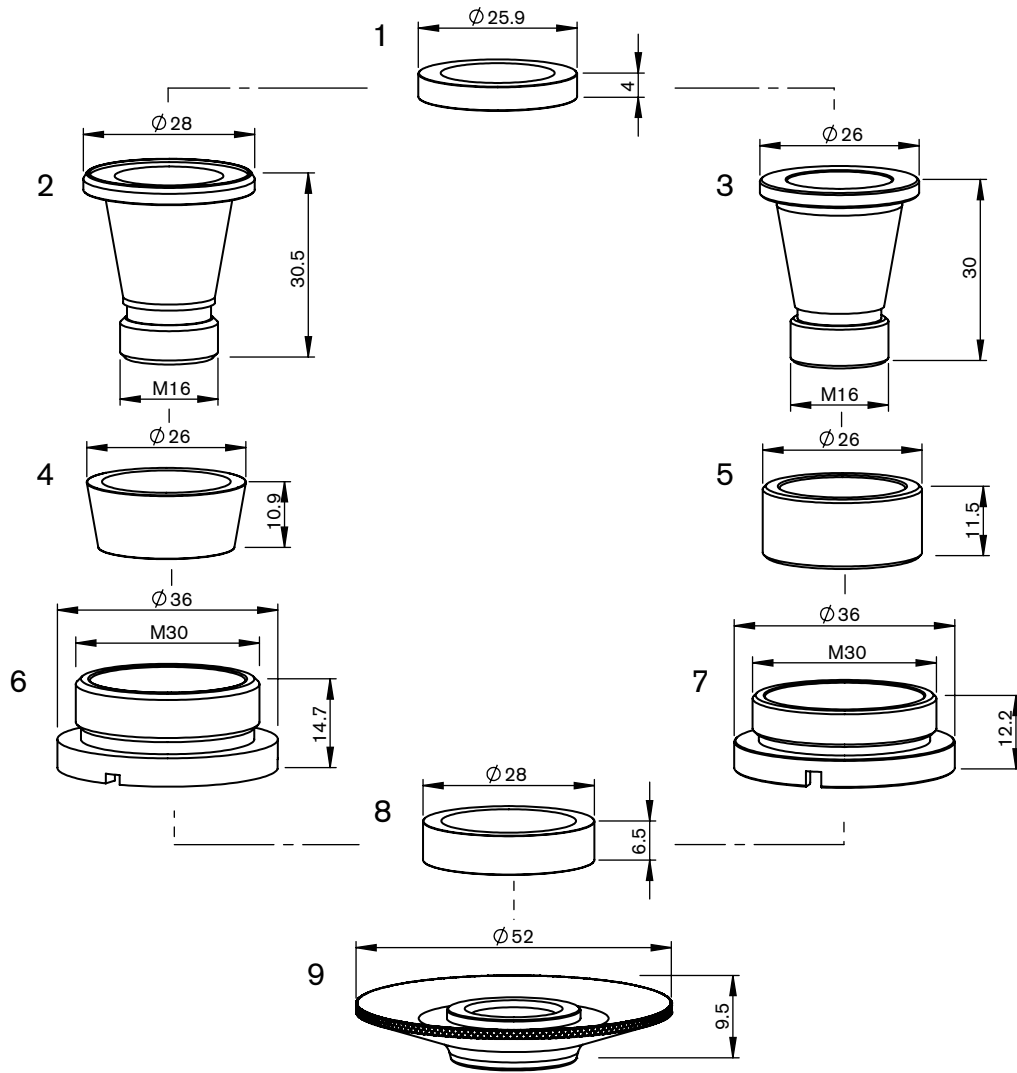
\* Centricut parts available in single packs. To order single packs, remove the 'X' at the end of the part number (e.g. AM123-4567X would be AM123-4567).  
For Esse A parts available in single packs. To order single packs, remove the '30' after the L in the part number (e.g. L301401X would be L401X).  
For nozzle bodies and associated parts see pages 28-30.



**Consumables**

	Esse A part number	Centricut part number	Reference number	Description	Pkg qty
1	AL5	BY328-2015	2-01262	BY-Scanner	1
2	AL24	BY328-3137	4-03137	BY-Pin	1
3	AL25	BY328-3136	4-03136	BY-Knurled screw	1
4	AL1	BY328-0324	4-00324	BY-Knurled screw	1
5	AL102	BY328-5497	3-05497	BY-Nozzle body, copper	1
	3140236	BY328-0236 (not shown)	3140236	BY-O-ring	1
	AL99	BY328-0820 (not shown)	3140820	BY-Lens o-ring	1
	AL246	BY328-0004 (not shown)		BY-Screw kit for BY328-3663-C (3 pcs)	3

Nozzle bodies and associated parts on this page can be used with nozzles on pages 22-25.

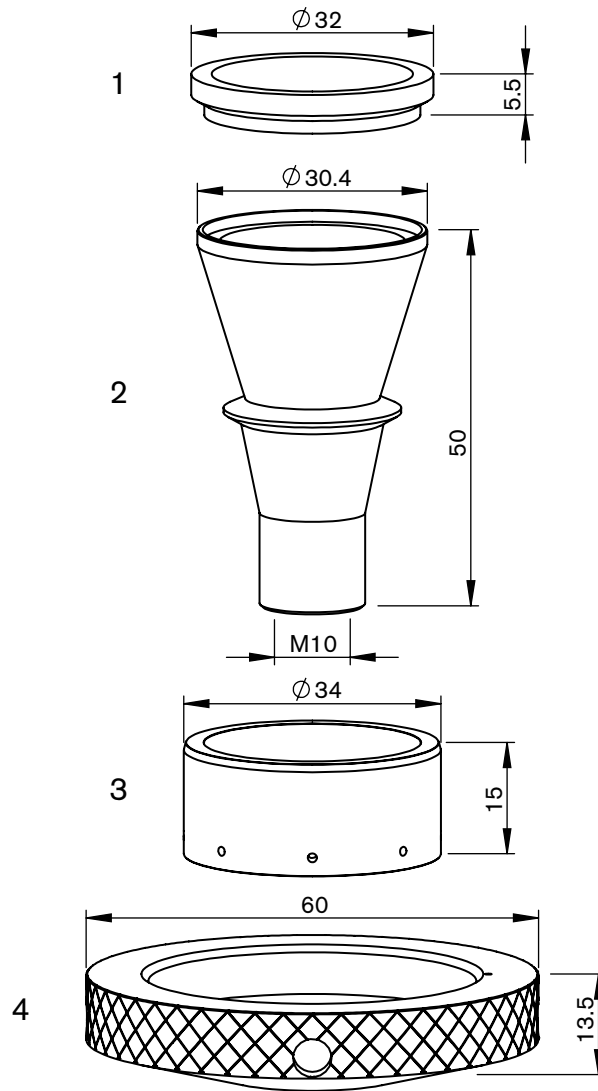


**Consumables**

	Esse A part number	Centricut part number	Reference number	Description	Pkg qty
1	AL231	BY328-1642	4-01642, 4-00569	BY-Insulating disc ceramic	1
2	AL172	BY328-8701	2-08701	BY-Nozzle body	1
3	AL423	BY359-2930	10032930	BY-Nozzle body	1
4	AL230	BY328-1959	4-01959	BY-Cone ceramic	1
5	AL425	BY359-2838	10032838	BY-Insulating ring ceramic	1
6	AL174	BY328-1071	3-11071	BY-Fastening nut	1
7	AL424	BY359-2839	10032839	BY-Fastening nut	1
8	AL126	BY328-9010	4-09010	BY-Ring ceramic	1
9	AL173	BY328-8700	2-08700	BY-signboard	1
	AL173X	BY328-0005	2-08700	BY-signboard, chrome	1

Nozzle bodies and associated parts on this page can be used with nozzles on pages 22-25.

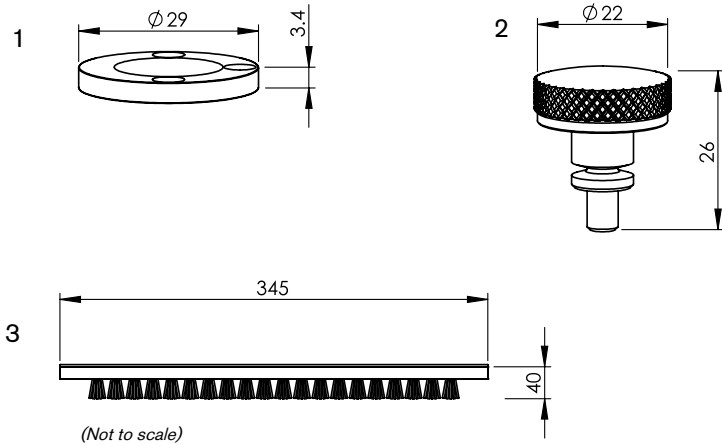
\*Bystronic is a trademark of Bystronic Laser AG. Centricut is in no way directly or indirectly affiliated with Bystronic Laser AG. All parts are made by or for Centricut and are compatible with listed Bystronic product. Centricut is a registered trademark of Hypertherm, Inc.



### Consumables

	Esse A part number	Centricut part number	Reference number	Description	Pkg qty
1	AL215	BY359-3113	3-13113	BY-Insulating ring, small	1
2	AL214	BY359-0837	2-10837	BY-Nozzle body	1
3	AL216	BY359-3422	3-13422	BY-Insulating ring w/holes, large	1
4	AL258	BY359-3110	3-13110	BY-Shield, copper	1

Nozzle bodies and associated parts on this page can be used with nozzles on pages 22-25.



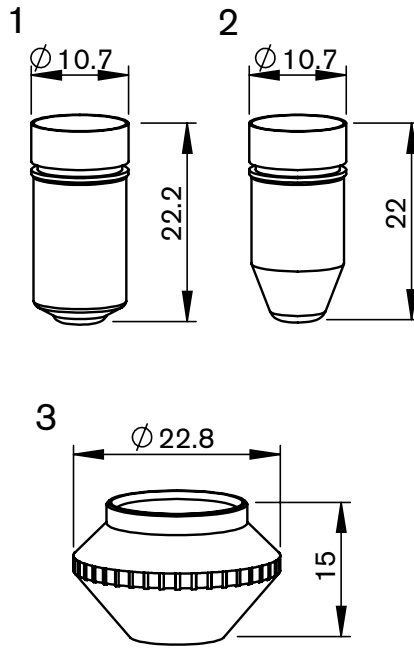
**Consumables**

	Esse A part number	Centricut part number	Reference number	Description	Pkg qty
1	AL120	BY328-328-1	3-06035-T	BY-Disc, PTFE*	1
2	AL209	BY328-4976	4-04976	BY-Knurled screw	1
3	AL300	BY328-6511	2-06511	BY-Brush w/screws	1

\*PolyTetraFluoroEthylene is a fluorocarbon-based polymer and is commonly abbreviated PTFE. The Teflon<sup>®</sup> brand of PTFE is manufactured only by DuPont and is not sold by Hypertherm. Hypertherm purchases other brands of PTFE from various high quality manufacturers.

	Esse A part number	Centricut part number	Reference number	Description	Pkg qty
1	L305110	BY310-0055X	L0405010055	BY-NOZZLE 1.0 MM FL170 (10 PACK)	10
	L305112	BY310-0056X	L0405010056	BY-NOZZLE 1.2 MM FL170 (10 PACK)	10
	L305115	BY310-0057X	L0405010057	BY-NOZZLE 1.5 MM FL170 (10 PACK)	10
	L305118	BY310-0058X	L0405010058	BY-NOZZLE 1.8 MM FL170 (10 PACK)	10
	L305120	BY310-0059X	L0405010059	BY-NOZZLE 2.0 MM FL170 (10 PACK)	10
	L305125	BY310-0060X	L0405010060	BY-NOZZLE 2.5 MM FL170 (10 PACK)	10
	L305130	BY310-0061X	L0405010061	BY-NOZZLE 3.0 MM FL170 (10 PACK)	10
2	L305210	BY310-0062X	L0405010062	BY-NOZ DOUBLE 1.0 MM FL170 (10 PACK)	10
	L305212	BY310-0063X	L0405010063	BY-NOZ DOUBLE 1.2 MM FL170 (10 PACK)	10
	L305215	BY310-0064X	L0405010064	BY-NOZ DOUBLE 1.5 MM FL170 (10 PACK)	10
	L305218	BY310-0065X	L0405010065	BY-NOZ DOUBLE 1.8 MM FL170 (10 PACK)	10
	L305220	BY310-0066X	L0405010066	BY-NOZ DOUBLE 2.0 MM FL170 (10 PACK)	10
	L305225	BY310-0067X	L0405010067	BY-NOZ DOUBLE 2.5 MM FL170 (10 PACK)	10
	L305230	BY310-0068X	L0405010068	BY-NOZ DOUBLE 3.0 MM FL170 (10 PACK)	10

\*PolyTetraFluoroEthylene is a fluorocarbon-based polymer and is commonly abbreviated PTFE. The Teflon<sup>®</sup> brand of PTFE is manufactured only by DuPont and is not sold by Hypertherm. Hypertherm purchases other brands of PTFE from various high quality manufacturers.



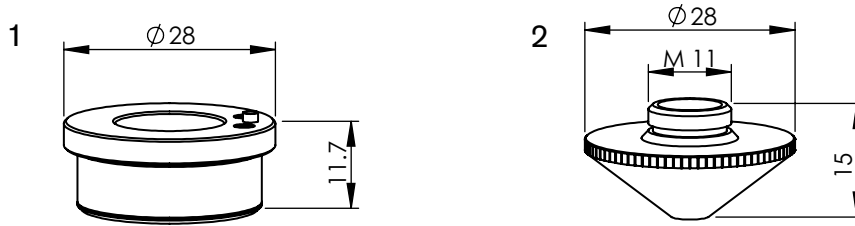
### Consumables

	Esse A part number	Centricut part number	Reference number	Description	Pkg qty
1	L869	CN306-4636	924636, 913188	CN-Nozzle w/o-ring, 1.5 mm	1
	L870	CN306-4637	924637, 913190	CN-Nozzle w/o-ring, 2.0 mm	1
2	L30712	CN306-9660-1X	924635	CN-Nozzle w/o-ring, 1.0 mm (10 pk)*	10
	L30224	CN306-9660X	909660	CN-Nozzle w/o-ring, 1.5 mm (10 pk)*	10
	L30225	CN306-0315X	910315, R26ZZC90090	CN-Nozzle w/o-ring, 2.0 mm (10 pk)*	10
	L30433	CN306-3013X	923013	CN-Nozzle shower w/o-ring, 1.0 mm (10 pk)*	10
	L30434	CN306-3014X	923014	CN-Nozzle shower w/o-ring, 1.5 mm (10 pk)*	10
	L435	CN306-0020	910315-S	CN-Nozzle shower w/o-ring, 2.0 mm	1
3	AL135	CN306-3021	923021, R26ZZC90360	CN-Tip retainer nut, tapered	1
		CN306-9664 (not shown)	909664, 56161	CN-O-ring	1

\* Centricut parts available in single packs. To order single packs, remove the 'X' at the end of the part number (e.g. AM123-4567X would be AM123-4567).  
For Esse A parts available in single packs. To order single packs, remove the '30' after the L in the part number (e.g. L301401X would be L401X).

### Consumables

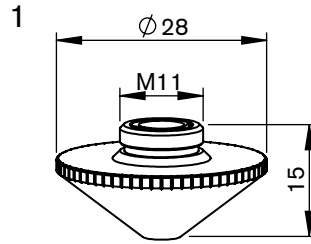
	Esse A part number	Centricut part number	Reference number	Description	Pkg qty
		CN306-9664		CN-O-ring	1
	AL616	CN306-0654A	909654, 922686	CN-Sensor cable, 114 mm (4.5") armored	1
	AL617	CN306-0951A	842951	CN-Sensor cable, 140 mm (5.5") armored (brown)	1
	AL619	CN306-9654	909654, 922686	CN-Sensor cable, 114 mm (4.5") (white)	1
	AL618	CN306-2951	842951	CN-Sensor cable, 140 mm (5.5") (brown)	1



## Consumables

	Esse A part number	Centricut part number	Reference number	Description	Pkg qty
1	AL408	HW405-0811	MX-0875, HPH-S01007-7	HW-Nozzle holder, ceramic	1
	L30935	PT345-0008X	P0591-673-00008	PT-Nozzle HD, 0.8 mm (10 pk)*	10
	L30234	PT345-1548X	281548, P0591-571-00010, MX-0860	PT-Nozzle HD, 1.0 mm (10 pk)*	10
	L30235	PT345-1549X	281549, P0591-572-00012, MX-0861	PT-Nozzle HD, 1.2 mm (10 pk)*	10
	L30236	PT345-1463X	281463, P0591-573-00015, MX-0862	PT-Nozzle HD, 1.5 mm (10 pk)*	10
	L30237	PT345-0001X	P0591-574-00018, MX-0863	PT-Nozzle HD, 1.8 mm (10 pk)*	10
	L30238	PT345-1550X	281550, P0591-575-00020, MX-0864	PT-Nozzle HD, 2.0 mm (10 pk)*	10
	L30239	PT345-0003X	P0591-574-00023	PT-Nozzle HD, 2.3 mm (10 pk)*	10
	L30240	PT345-1551X	281551, P0591-576-00025, MX-0865	PT-Nozzle HD, 2.5 mm (10 pk)*	10
	L30936	PT345-1552X		PT-Nozzle HD, 2.75 mm (10 pk)*	10
	L30241	PT345-0002X		PT-Nozzle HD, 3.0 mm (10 pk)*	10
2	L30826	PT345-0005X		PT-Nozzle HD, 3.2 mm (10 pk)*	10
	L30827	PT345-0006X		PT-Nozzle HD, 3.5 mm (10 pk)*	10
	L30828	PT345-0004X		PT-Nozzle HD, 4.0 mm (10 pk)*	10
	L30829	PT345-0007X		PT-Nozzle HD, 4.5 mm (10 pk)*	10
	L30234X	PT345-1548CPX	281548, P0591-571-00010	PT-Nozzle HD, 1.0 mm CP (10 pk)*	10
	L30235X	PT345-1549CPX	281549, P0591-572-00012	PT-Nozzle HD, 1.2 mm CP (10 pk)*	10
	L30236X	PT345-1463CPX	281463, P0591-573-00015	PT-Nozzle HD, 1.5 mm CP (10 pk)*	10
	L30237X	PT345-0001CPX	281353, P0591-574-00018	PT-Nozzle HD, 1.8 mm CP (10 pk)*	10
	L30238X	PT345-1550CPX	281550, P0591-575-00020	PT-Nozzle HD, 2.0 mm CP (10 pk)*	10
	L30240X	PT345-1551CPX	281551, P0591-576-00025	PT-Nozzle HD, 2.5 mm CP (10 pk)*	10
	L30241X	PT345-0002CPX		PT-Nozzle HD, 3.0 mm CP (10 pk)*	10
	L30828X	PT345-0004CPX		PT-Nozzle HD, 4.0 mm CP (10 pk)*	1

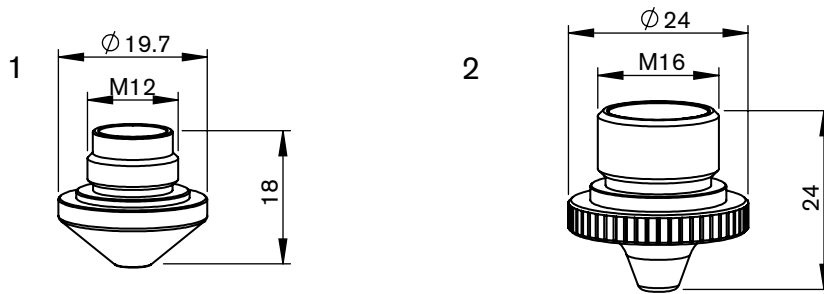
\* Centricut parts available in single packs. To order single packs, remove the 'X' at the end of the part number (e.g. AM123-4567X would be AM123-4567).  
For Esse A parts available in single packs. To order single packs, remove the '30' after the L in the part number (e.g. L301401X would be L401X).



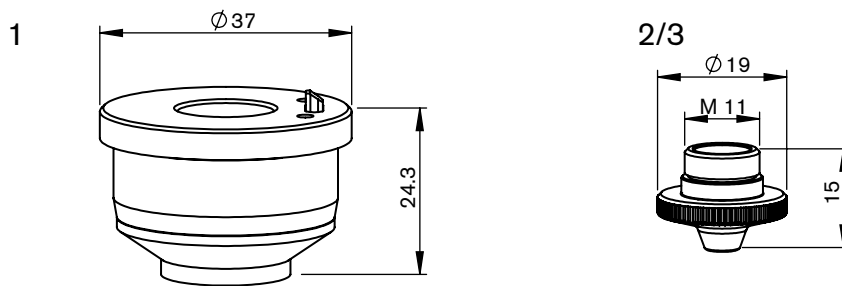
## Consumables

	Esse A part number	Centricut part number	Reference number	Description	Pkg qty
	L30660	PT358-0010X	P40-008038-001, P0591-002-00010	PT-Nozzle double, 1.0 mm/inner 1.5 mm (10 pk)*	10
	L30661	PT358-0125X	P40-008038-002, P0591-002-00012	PT-Nozzle double, 1.2 mm/inner 1.5 mm (10 pk)*	10
	L30662	PT358-0015X	P40-008038-003, P0591-002-00015, H03019	PT-Nozzle double, 1.5 mm /inner 1.5 mm (10 pk)*	10
	L30663	PT358-0018X	P40-008038-004, P0591-002-00018, H03021	PT-Nozzle double, 1.8 mm/inner 1.5 mm (10 pk)*	10
	L30664	PT358-0020X	P40-008038-005, P0591-002-00020, H03014	PT-Nozzle double, 2.0 mm/inner 1.5 mm (10 pk)*	10
	L30665	PT358-0023X	P40-008038-006, P0591-002-00023	PT-Nozzle double, 2.3 mm/inner 1.5 mm (10 pk)*	10
	L30666	PT358-0007X	P40-008038-007, P0591-002-00025, H03017	PT-Nozzle double, 2.5 mm/inner 1.5 mm (10 pk)*	10
	L30667	PT358-0030X	P40-008038-008, P0591-002-00030, 29100382, H03023	PT-Nozzle double, 3.0 mm/inner 1.5 mm (10 pk)*	10
1	L30668	PT358-0035X	P40-008038-009, P0591-002-00035, 29100384	PT-Nozzle double, 3.5 mm/inner 1.5 mm (10 pk)*	10
	L30660X	PT358-0010CPX		PT-Nozzle double, 1.0 mm/inner 1.5 mm CP (10 pk)*	10
	L30661X	PT358-0125CPX		PT-Nozzle double, 1.2 mm/inner 1.5 mm CP (10 pk)*	10
	L30662X	PT358-0015CPX		PT-Nozzle double, 1.5 mm/inner 1.5 mm CP (10 pk)*	10
	L30663X	PT358-0018CPX		PT-Nozzle double, 1.8 mm/inner 1.5 mm CP (10 pk)*	10
	L30664X	PT358-0020CPX		PT-Nozzle double, 2.0 mm/inner 1.5 mm CP (10 pk)*	10
	L30666X	PT358-0025CPX		PT-Nozzle double, 2.5 mm/inner 1.5 mm CP (10 pk)*	10
	L30667X	PT358-0030CPX		PT-Nozzle double, 3.0 mm/inner 1.5 mm CP (10 pk)*	10
	L30668X	PT358-0035CPX		PT-Nozzle double, 3.5 mm/inner 1.5 mm CP (10 pk)*	10

\* Centricut parts available in single packs. To order single packs, remove the 'X' at the end of the part number (e.g. AM123-4567X would be AM123-4567).  
For Esse A parts available in single packs, to order single packs, remove the '30' after the L in the part number (e.g. L301401X would be L401X).

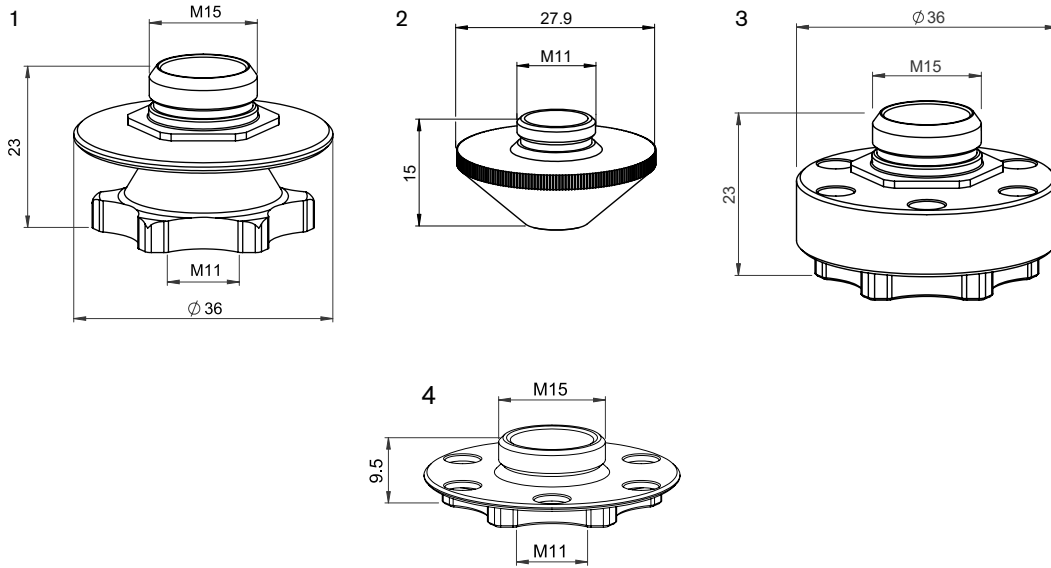

**Consumables**

	Esse A part number	Centricut part number	Reference number	Description	Pkg qty
1	L1071	HW405-1012	NP12	HW-Nozzle, 1.2 mm	1
	L1490	HW405-3010	NP10	HW-Nozzle NP, 1.0 mm	1
2	L1491	HW405-3012	NP12	HW-Nozzle NP, 1.2 mm	1
	L1492	HW405-3015	NP15	HW-Nozzle NP, 1.5 mm	1


**Consumables**

	Esse A part number	Centricut part number	Reference number	Description	Pkg qty
1	AL420	HW405-1201	HCH-S01201, HCH-S01201-3	HW-Nozzle holder, ceramic	1
2	L1483	HW405-2010	NP10, MX-0989	HW-Nozzle N, 1.0 mm	1
	L1484	HW405-2012	NP12, MX-0990	HW-Nozzle N, 1.2 mm	1
	L1485	HW405-2015	NP15, MX-0991	HW-Nozzle N, 1.5 mm	1
	L1487	HW405-2018	NP18, MX-0993	HW-Nozzle N, 1.8 mm	1
3	L1486	HW405-2020	NP20, MX-0992	HW-Nozzle N, 2.0 mm	1
	L1488	HW405-2025	NP25, MX-0994	HW-Nozzle N, 2.5 mm	1
	L1489	HW405-2030	NP30, MX-0995	HW-Nozzle N, 3.0 mm	1
	L1522	HW405-4015	TP15, HCH-TP1515	HW-Nozzle double N, 1.5 mm	1
	L1519	HW405-4018	TP18, HCH-TP1518	HW-Nozzle double N, 1.8 mm	1
	L1523	HW405-4020	TP20, HCH-TP1520	HW-Nozzle double N, 2.0 mm	1
	L1524	HW405-4025	TP25, HCH-TP1525	HW-Nozzle double N, 2.5 mm	1
	L1526	HW405-4030	TP30, HCH-TP2030	HW-Nozzle double N, 3.0 mm	1
	L1525	HW405-4040	TP40	HW-Nozzle double N, 4.0 mm	1

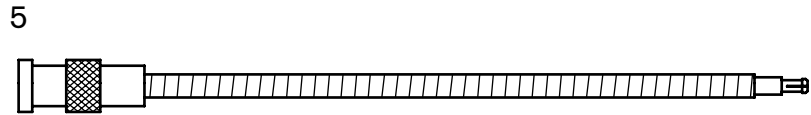
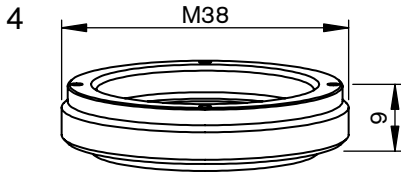
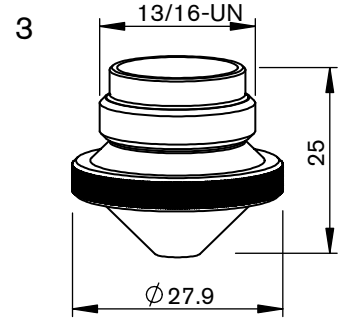
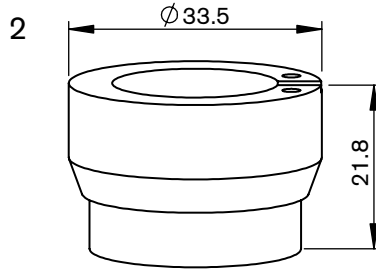
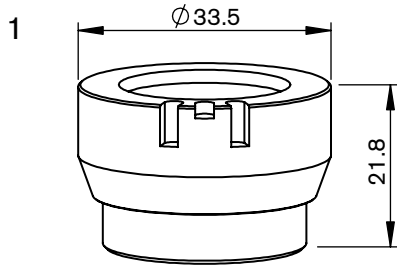
\*HK Laser & Systems is a trademark of HK CO., LTD. Centricut is in no way directly or indirectly affiliated with HK CO., LTD. All parts are made by or for Centricut and are compatible with listed HK Laser & Systems product. Centricut is a registered trademark of Hypertherm, Inc.



**Consumables**

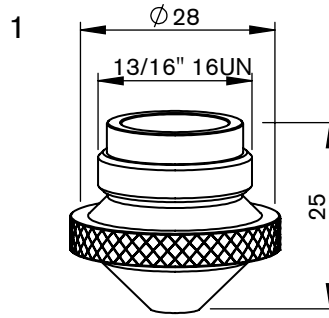
	Esse A part number	Centricut part number	Reference number	Description	Pkg qty
1	AL595	LV333-9093	M000079093, M000141854	Nozzle holder adapter	1
2	L2440	LV333-2154	M000112154	Nozzle 4.0mm CH 6.0	1
	L2450	LV333-2153	M000112153	Nozzle 5.0mm CH 7.0	1
	L2460	LV333-2155	M000112155	Nozzle 6.0mm CH 8.0	1
	L2480	LV333-5301	M000145301	Nozzle 8.0mm CH 10.0	1
	3	AL649	LV333-5919	M000155919	Nozzle holder adapter
4	AL650	LV333-6912 <b>NEW</b>	M000156912	Nozzle holder adapter	1

\*LVD is a trademark of LVD Group NV. Centricut is in no way directly or indirectly affiliated with LVD Group NV. All parts are made by or for Centricut and are compatible with listed LVD product. Centricut is a registered trademark of Hypertherm, Inc.


**Consumables**

	Esse A part number	Centricut part number	Reference number	Description	Pkg qty
1	AL130/S	PT311-1146	281146, P0380-211-00001, 29100033	PT-Nozzle holder ITM 1.5" DZ	1
	AL130	PT311-11460EM	281146, P0380-211-00001, 29100033	PT-Nozzle holder ITM 1.5" DZ OEM	1
2	AL298	PT311-0298	P0497-68871, P0497-615-00001	PT-Nozzle holder KTM 1.5" DXN, Ceramic	1
3	L20757	LV332-1993V	D5241993	LV-Nozzle cylindrical, 0.8 mm (5 pk)*	5
	L20141	LV332-5470V	D7945470	LV-Nozzle cylindrical, 1.0 mm (5 pk)*	5
	L20758	LV332-0001V	D5241982	LV-Nozzle cylindrical, 1.2 mm (5 pk)*	5
	L20142	LV332-5434V	D7945434	LV-Nozzle cylindrical, 1.5 mm (5 pk)*	5
	L20143	LV332-5452V	D7945452	LV-Nozzle cylindrical, 2.0 mm (5 pk)*	5
	L20144	LV332-5517V	D7945517	LV-Nozzle cylindrical, 2.5 mm (5 pk)*	5
	L20145	LV332-5518V		LV-Nozzle cylindrical, 3.0 mm (5 pk)*	5
	L20141X	LV332-5470CPV	D7945470	LV-Nozzle cylindrical, 1.0 mm CP (5 pk)*	5
	L20758X	LV332-0001CPV	D5241982	LV-Nozzle cylindrical, 1.2 mm CP (5 pk)*	5
	L20142X	LV332-5434CPV	D7945434	LV-Nozzle cylindrical, 1.5 mm CP (5 pk)*	5
4	AL198	PT347-4297	P0492-702-00001, 29100021	PT-Insulating ring outer body	1
	AL201	PT311-0001	P0492-702-00002	PT-Insulating ring	1
5	AL204	PT347-0101	P0360-100-00500, 46713300100	PT-Sensor head connecting cable OEM	1
	AL94	AM326-6453 (not shown)	71366453	AM-O-ring for outer nozzle	1

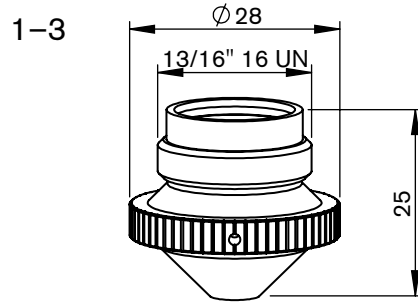
\* Centricut parts available in single packs. To order single packs, remove the 'V' at the end of the part number (e.g. LV123-4567V would be LV123-4567).  
 For Esse A parts available in single packs. To order single packs, remove the '20' after the L in the part number (e.g. L20757 would be L757).



**Consumables**

	Esse A part number	Centricut part number	Reference number	Description	Pkg qty
1	L20759	LV332-1982V		LV-Nozzle conical HD, 1.2 mm (5 pk)*	5
	L20152	LV332-1862V	D5241862	LV-Nozzle conical HD, 1.5 mm (5 pk)*	5
	L20748	LV332-2512V	D5242512	LV-Nozzle conical HD, 1.7 mm (5 pk)*	5
	L20146	LV332-1855V	D5241855	LV-Nozzle conical HD, 2.0 mm (5 pk)*	5
	L20749	LV332-2513V	D5242513, Z000000539D	LV-Nozzle conical HD, 2.3 mm (5 pk)*	5
	L20147	LV332-1856V	D5241856, Z000000563B	LV-Nozzle conical HD, 2.5 mm (5 pk)*	5
	L20148	LV332-1857V	D5241857, Z000000540B	LV-Nozzle conical HD, 3.0 mm (5 pk)*	5
	L20149	LV332-1877V	D5241877, Z000000564B	LV-Nozzle conical HD, 3.5 mm (5 pk)*	5
	L20283	LV332-1878V	D5241878, Z000000565B	LV-Nozzle conical HD, 4.0 mm (5 pk)*	5
	L20152X	LV332-1862CPV	D5241862	LV-Nozzle conical HD, 1.5 mm CP (5 pk)*	5
	L20146X	LV332-1855CPV	D5241855	LV-Nozzle conical HD, 2.0 mm CP (5 pk)*	5
	L20147X	LV332-1856CPV	D5241856, Z000000563B	LV-Nozzle conical HD, 2.5 mm CP (5 pk)*	5
	L20148X	LV332-1857CPV	D5241857, Z000000540	LV-Nozzle conical HD, 3.0 mm CP (5 pk)*	5

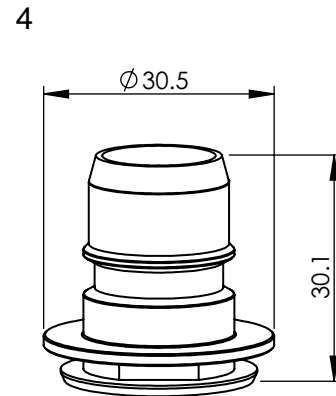
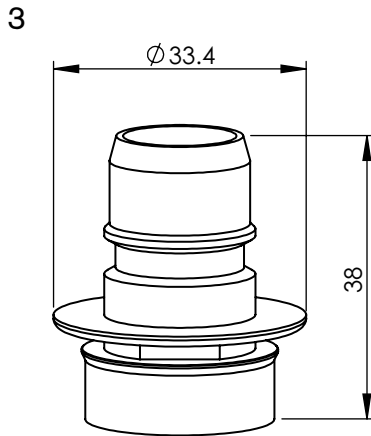
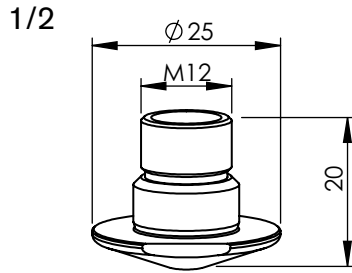
\* Centricut parts available in single packs. To order single packs, remove the 'V' at the end of the part number (e.g. LV123-4567V would be LV123-4567).  
For Esse A parts available in single packs. To order single packs, remove the '20' after the L in the part number (e.g. L20757 would be L757).



Consumables

	Esse A part number	Centricut part number	Reference number	Description	Pkg qty
1	L1290	LV332-0013 <b>NEW</b>	G8040180	LV-Nozzle double w/spring, 2.5 mm/inner 1.3 mm	1
	L1291	LV332-0180 <b>NEW</b>	G8040135	LV-Nozzle double w/spring, 2.5 mm/inner 1.5 mm	1
	L1293	LV332-3013	G8040182	LV-Nozzle double w/spring, 3.0 mm/inner 1.3 mm	1
	L1292	LV332-0132	G8040132	LV-Nozzle double w/spring, 3.0 mm/inner 2.0 mm	1
	L1290X	LV332-0013CP	G8040180	LV-Nozzle double w/spring, 2.5 mm/inner 1.3 mm CP	1
	L1291X	LV332-0180CP	G8040135	LV-Nozzle double w/spring, 2.5 mm/inner 1.5 mm CP	1
2	L782	LV417-0002	29100307	LV-Nozzle double, 1.2 mm	1
	L784	LV417-0003	29100304	LV-Nozzle double, 1.5 mm	1
	L785	LV417-0004	29100307	LV-Nozzle double, 2.0 mm	1
	L786	LV410-0180	29100305D	LV-Nozzle double, 2.5 mm	1
	L787	LV417-0006	29100306	LV-Nozzle double, 3.0 mm	1
	L784X	LV417-0003CP		LV-Nozzle double, 1.5 mm CP	1
	L786X	LV417-0005CP		LV-Nozzle double, 2.5 mm CP	1
3	L886	LV332-1344	Z000001344	LV-Nozzle double, 5.0 mm/inner 2.0 mm	1
	L790	LV332-0131	G8040131	LV-Nozzle double, 3.0 mm/inner 2.0 mm	1

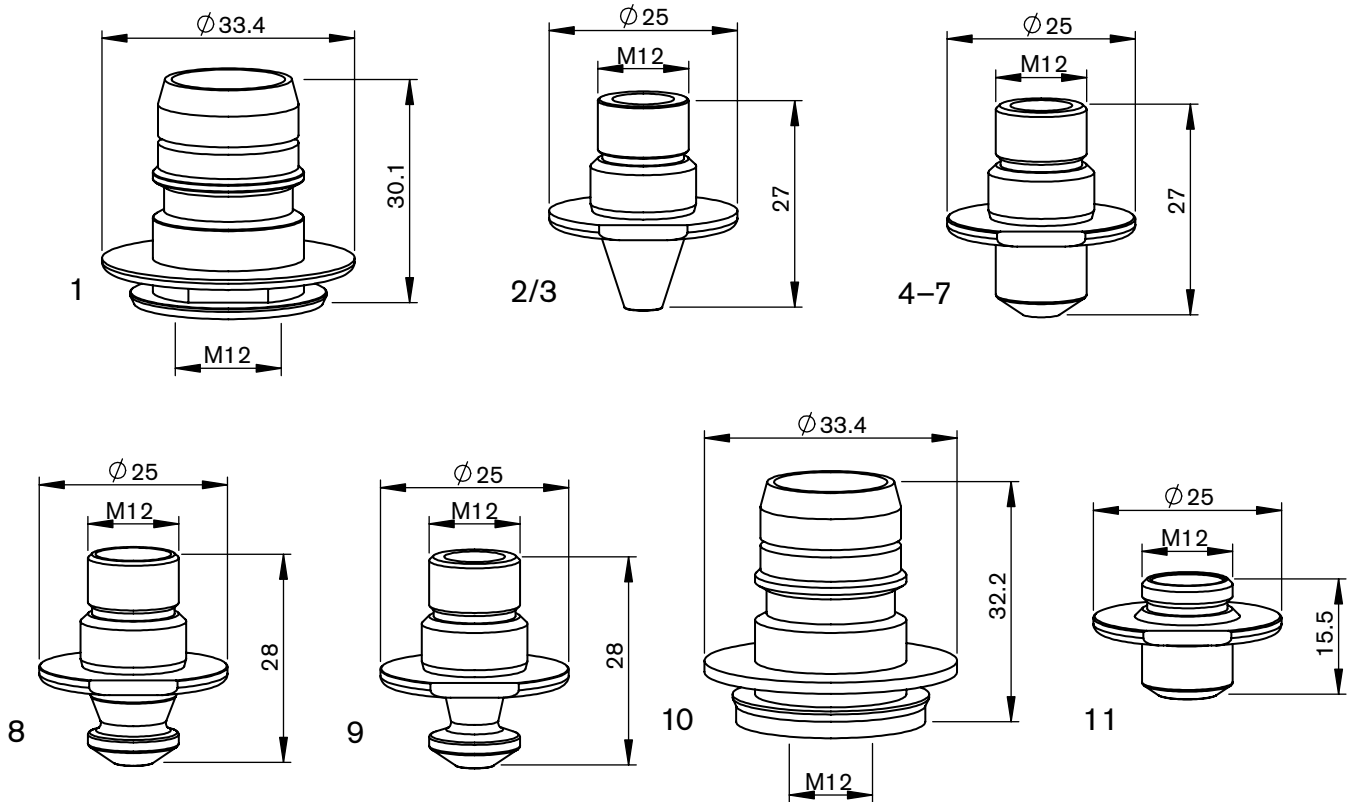
\*LVD is a trademark of LVD Group NV. Centricut is in no way directly or indirectly affiliated with LVD Group NV. All parts are made by or for Centricut and are compatible with listed LVD product. Centricut is a registered trademark of Hypertherm, Inc.



Consumables

	Esse A part number	Centricut part number	Reference number	Description	Pkg qty
1	L941X	MZ368-4430CP		MZ-Nozzle, 1.0 mm CP	1
	L942X	MZ368-4470CP	46143304470	MZ-Nozzle, 1.2 mm CP	1
	L943X	MZ368-4450CP	46143304450	MZ-Nozzle, 1.5 mm CP	1
	L944X	MZ368-4460CP	46143304460	MZ-Nozzle, 2.0 mm CP	1
	L945X	MZ368-4480CP	46143304480	MZ-Nozzle, 2.5 mm CP	1
	L946X	MZ368-4490CP	46143304490	MZ-Nozzle, 3.0 mm CP	1
	L947X	MZ368-4500CP	46143304500	MZ-Nozzle, 3.5 mm CP	1
	L948X	MZ368-4510CP	46143304510	MZ-Nozzle, 4.0 mm CP	1
2	L952X	MZ373-0001		MZ-Nozzle double, 1.2 mm CP	1
	L953X	MZ368-0005CP	46143306450	MZ-Nozzle double, 1.5 mm CP	1
	L954X	MZ373-0003	46143306460	MZ-Nozzle double, 2.0 mm CP	1
	L955X	MZ373-0004	46143306480	MZ-Nozzle double, 2.5 mm CP	1
	L956X	MZ373-0005	46143306490	MZ-Nozzle double, 3.0 mm CP	1
	L958X	MZ373-0007	46143306510	MZ-Nozzle double, 4.0 mm CP	1
3	AL363	MZ368-0740	36143310740	MZ-Nozzle holder	1
4	AL242	MZ368-0001	36143304420	MZ-Nozzle holder Hyper Gear	1

\*Mazak is a trademark of Yamatomo Kosan, K.K. Centricut is in no way directly or indirectly affiliated with Yamatomo Kosan, K.K. All parts are made by or for Centricut and are compatible with listed Mazak product. Centricut is a registered trademark of Hypertherm, Inc.



Consumables

	Esse A part number	Centricut part number	Reference number	Description	Pkg qty
1	AL362	MZ368-0522	36143310522E, 36143310522, 36143310523	MZ-Nozzle holder	1
2	L301380X	MZ373-0310CPX	46143310332	MZ-Nozzle slim, 1.0 mm CP (10 pk)*	10
	L301381X	MZ373-0341CPX	46143310341, 46143310342, 46143310343	MZ-Nozzle slim, 1.2 mm CP (10 pk)*	10
	L301382X	MZ373-0351CPX	46143310351, 46143310352, 46143310353	MZ-Nozzle slim, 1.5 mm CP (10 pk)*	10
	L301383X	MZ373-0361CPX	46143310361, 46143310362, 46143310363	MZ-Nozzle slim, 2.0 mm CP (10 pk)*	10
	L301384X	MZ373-0371CPX	46143310371, 46143310372, 46143310373	MZ-Nozzle slim, 2.5 mm CP (10 pk)*	10
	L301385X	MZ373-0381CPX	46143310381, 46143310382, 46143310383	MZ-Nozzle slim, 3.0 mm CP (10 pk)*	10
	L301386X	MZ373-0391CPX	46143310391, 46143310392, 46143310393	MZ-Nozzle slim, 3.5 mm CP (10 pk)*	10
	L301387X	MZ373-0401CPX	46143310401, 46143310402, 46143310403	MZ-Nozzle slim, 4.0 mm CP (10 pk)*	10
	L301399X	MZ373-0312CPX		MZ-Nozzle double slim, 1.2 mm CP (10 pk)*	10
3	L301392X	MZ373-0315CPX	36143311500	MZ-Nozzle double slim, 1.5 mm CP (10 pk)*	10
	L301393X	MZ373-0320CPX	36143311510, 36143311512	MZ-Nozzle double slim, 2.0 mm CP (10 pk)*	10
	L301394X	MZ373-0325CPX	36143311520, 36143311522	MZ-Nozzle double slim, 2.5 mm CP (10 pk)*	10
	L301395X	MZ373-0330CPX	36143311530, 36143311532	MZ-Nozzle double slim, 3.0 mm CP (10 pk)*	10
	L301397X	MZ373-0340CPX	36143312390	MZ-Nozzle double slim, 4.0 mm CP (10 pk)*	10
	L301512X	MZ373-0350CPX		MZ-Nozzle double slim, 5.0 mm CP (10 pk)*	10

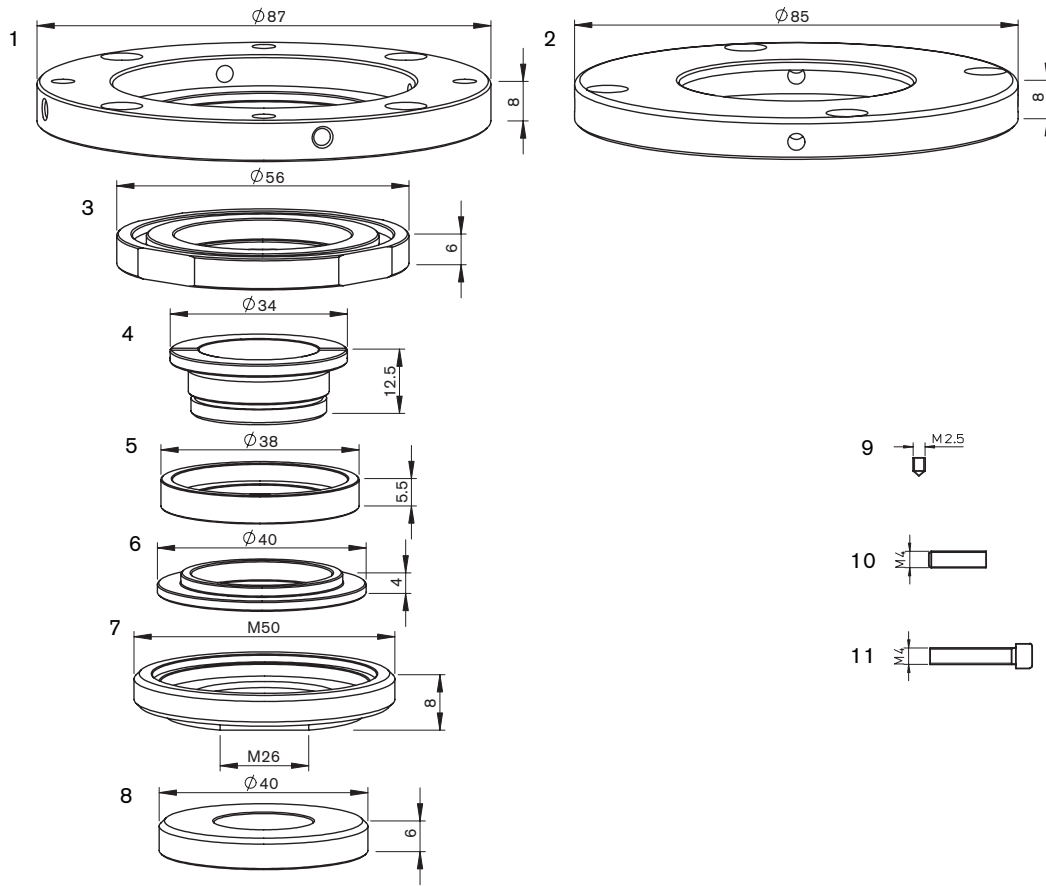
(Continued on next page)

\*Mazak is a trademark of Yamatomo Kosan, K.K. Centricut is in no way directly or indirectly affiliated with Yamatomo Kosan, K.K. All parts are made by or for Centricut and are compatible with listed Mazak product. Centricut is a registered trademark of Hypertherm, Inc.

## Consumables

	Esse A part number	Centricut part number	Reference number	Description	Pkg qty
4	L301581X	MZ373-1581CPX	Q6143312210, 06283301190	MZ-Nozzle pencil, 1.0 mm CP (10 pk)*	10
	L301582X	MZ373-1582CPX	36143312220	MZ-Nozzle pencil, 1.2 mm CP (10 pk)*	10
	L301583X	MZ373-1583CPX	36143312230	MZ-Nozzle pencil, 1.5 mm CP (10 pk)*	10
	L301584X	MZ373-1584CPX	Q6143300060	MZ-Nozzle pencil, 1.8 mm CP (10 pk)*	10
	L301585X	MZ373-1585CPX	36143312240	MZ-Nozzle pencil, 2.0 mm CP (10 pk)*	10
	L301587X	MZ373-1587CPX	36143312250	MZ-Nozzle pencil, 2.5 mm CP (10 pk)*	10
	L301588X	MZ373-1588CPX	36143312260	MZ-Nozzle pencil, 3.0 mm CP (10 pk)*	10
	L301589X	MZ373-1589CPX	36143312270	MZ-Nozzle pencil, 3.5 mm CP (10 pk)*	10
	L301590X	MZ373-1590CPX	36143312280	MZ-Nozzle pencil, 4.0 mm CP (10 pk)*	10
	L301591X	MZ373-1591CPX	06143355590	MZ-Nozzle pencil, 4.5 mm CP (10 pk)*	10
5	L301592X	MZ373-1592CPX	06283301030	MZ-Nozzle pencil, 5.0 mm CP (10 pk)*	10
	L301593X	MZ373-1593CPX	06283301830	MZ-Nozzle pencil, 5.5 mm CP (10 pk)*	10
	L301601X	MZ373-1601CPX		MZ-Nozzle double pencil, 1.0 mm CP (10 pk)*	10
	L301602X	MZ373-1602CPX	Q6143300080	MZ-Nozzle double pencil, 1.2 mm CP (10 pk)*	10
	L301603X	MZ373-1603CPX	36143312300	MZ-Nozzle double pencil, 1.5 mm CP (10 pk)*	10
	L301604X	MZ373-1604CPX	36143312310	MZ-Nozzle double pencil, 1.8 mm CP (10 pk)*	10
	L301605X	MZ373-1605CPX	36143312311	MZ-Nozzle double pencil, 2.0 mm CP (10 pk)*	10
	L301607X	MZ373-1607CPX	36143312320	MZ-Nozzle double pencil, 2.5 mm CP (10 pk)*	10
	L301608X	MZ373-1608CPX	36143312330	MZ-Nozzle double pencil, 3.0 mm CP (10 pk)*	10
	L301609X	MZ373-1609CPX	36143312340	MZ-Nozzle double pencil, 3.5 mm CP (10 pk)*	10
6	L301610X	MZ373-1610CPX	36143312350	MZ-Nozzle double pencil, 4.0 mm CP (10 pk)*	10
	L301611X	MZ373-1611CPX	06143312360	MZ-Nozzle double pencil, 4.5 mm CP (10 pk)*	10
	L301612X	MZ373-1612CPX	06143312370	MZ-Nozzle double pencil, 5.0 mm CP (10 pk)*	10
	L301614X	MZ373-1614CPX	Q6260700010	MZ-Nozzle double pencil, 4.0 mm/inner 1.2 mm CP (10 pk)*	10
	L301615X	MZ373-1615CPX	06143355360	MZ-Nozzle double pencil, 4.0 mm/inner 1.4 mm CP (10 pk)*	10
	L301616X	MZ373-1616CPX	06143355370	MZ-Nozzle double pencil, 4.0 mm/inner 1.8 mm CP (10 pk)*	10
	L301617X	MZ373-1617CPX	06283301050	MZ-Nozzle double pencil, 4.5 mm/inner 1.2 mm CP (10 pk)*	10
	L301618X	MZ373-1618CPX	06283301200	MZ-Nozzle double pencil, 5.0 mm/inner 1.2 mm CP (10 pk)*	10
	L301619X	MZ373-1619CPX	06283301210	MZ-Nozzle double pencil, 5.5 mm/inner 1.2 mm CP (10 pk)*	10
	L301686X	MZ373-1686CPX	06283301840	MZ-Nozzle double pencil, 5.5 mm/inner 2.0 mm CP (10 pk)*	10
7	L1574X	MZ373-1574	Q6143300040	MZ-Nozzle double pencil SUS, 4.5 mm CP	1
8	L301829X	MZ373-1820CPX	06283301820	MZ-Nozzle double pencil, 1.5 mm HP CP (10 pk)*	10
9	L301816X	MZ373-1790CPX	06283301790	MZ-Nozzle pencil, 1.0 mm HP CP (10 pk)*	10
	L301817X	MZ373-1800CPX	06283301800	MZ-Nozzle pencil, 1.2 mm HP CP (10 pk)*	10
	L301812X	MZ373-1812CPX	06283303690	MZ-Nozzle pencil, 1.3 mm HP CP (10 pk)*	10
	L301813X	MZ373-1813CPX	06283303700	MZ-Nozzle pencil, 1.4 mm HP CP (10 pk)*	10
	L301818X	MZ373-1810CPX	06283301810	MZ-Nozzle pencil, 1.5 mm HP CP (10 pk)*	10
10	AL465	MZ373-0465	Q6283300040	MZ-Nozzle holder	1
11	L1890	MZ373-0030	Q6283300030	MZ-Nozzle double smooth, 6.0 mm	1
	L1891	MZ373-0020	Q6283300020	MZ-Nozzle double smooth, 7.5 mm	1
	L1892	MZ373-0010	Q6283300010	MZ-Nozzle double smooth, 9.5 mm	1

\* Centricut parts available in single packs. To order single packs, remove the 'X' at the end of the part number (e.g. AM123-4567X would be AM123-4567).  
For Esse A parts available in single packs. To order single packs, remove the '30' after the L in the part number (e.g. L301401X would be L401X).

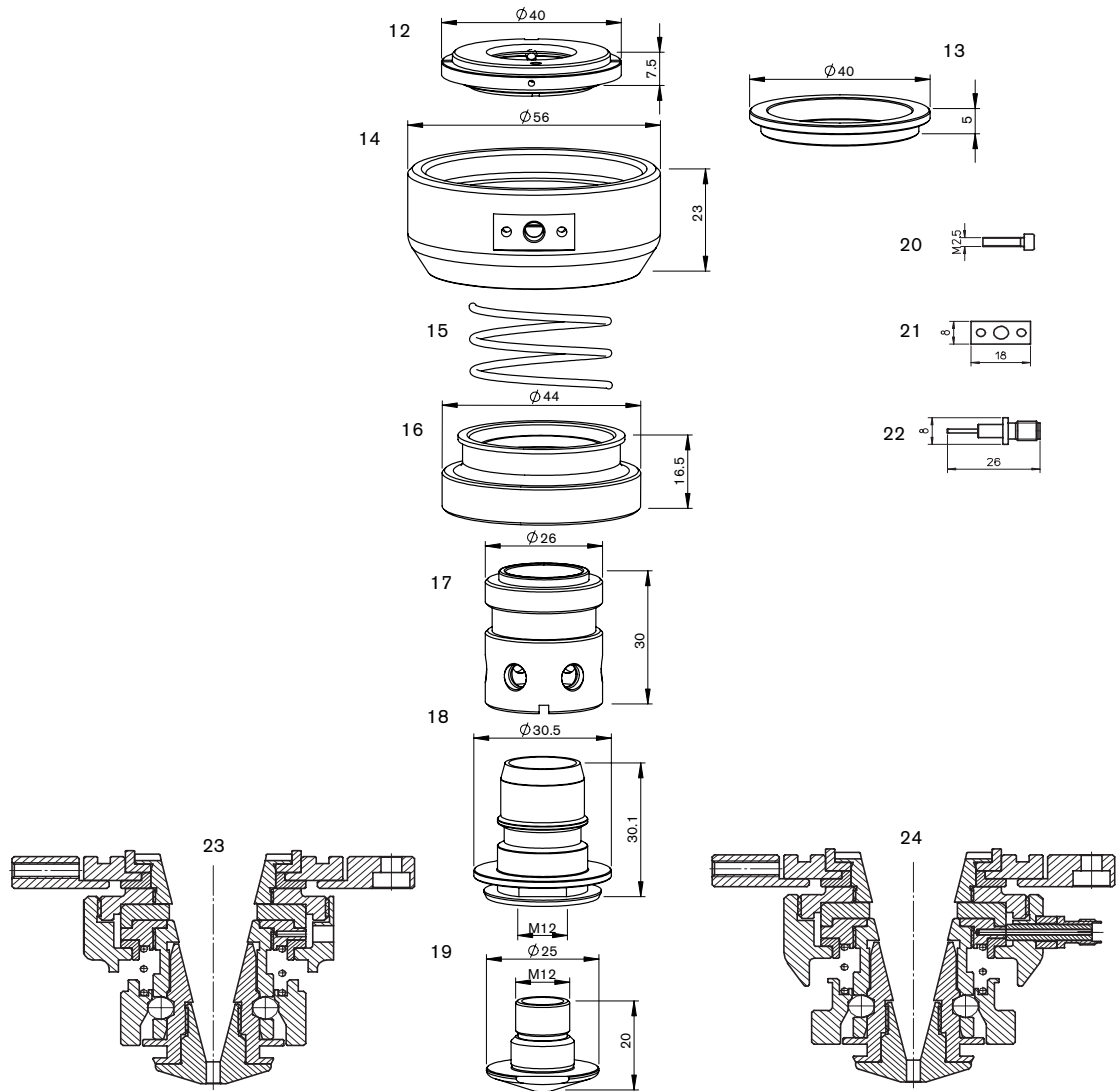


**Consumables**

	Esse A part number	Centricut part number	Reference number	Description	Pkg qty
1	AL320	MZ413-0332	3614330332	MZ-Ring, aluminum	1
2	AL492	MZ413-0630	06283300630	MZ-Ring, aluminum	1
3	AL491	MZ413-0620	06283300620	MZ-Ring, brass	1
	AL316	MZ413-0320	46143300320	MZ-Ring, brass	1
4	AL288	MZ413-0280	46143300280, 46143300281, 46143300282	MZ-Retainer nut	1
5	AL286	MZ408-0270	46143300270	MZ-Ring, ceramic	1
	AL386	MZ413-0270	46143300270	MZ-Insulating, PTFE*	1
6	AL285	MZ408-0260	46143300260C	MZ-Ring, ceramic	1
	AL385	MZ413-0260	46143300260	MZ-Insulating, PTFE*	1
7	AL294	MZ413-0290	46143300290	MZ-Retainer nut	1
8	AL290	MZ408-4440	46143304440	MZ-Ring, ceramic	1
	AL390	MZ413-4440	46143304440	MZ-Insulating, PTFE*	1
9	AL322	MZ413-1180	46183301180	MZ-Screw	1
10	AL321	MZ413-0010	A51NX000210	MZ-Screw (4 pcs)	4
11	AL319	MZ413-0200	A06CB040200, A06CB040160, A06CB040100	MZ-Set screw (4 pcs)	4

(Continued on next page)

\*Mazak is a trademark of Yamatomo Kosan, K.K. Centricut is in no way directly or indirectly affiliated with Yamatomo Kosan, K.K. All parts are made by or for Centricut and are compatible with listed Mazak product. Centricut is a registered trademark of Hypertherm, Inc.

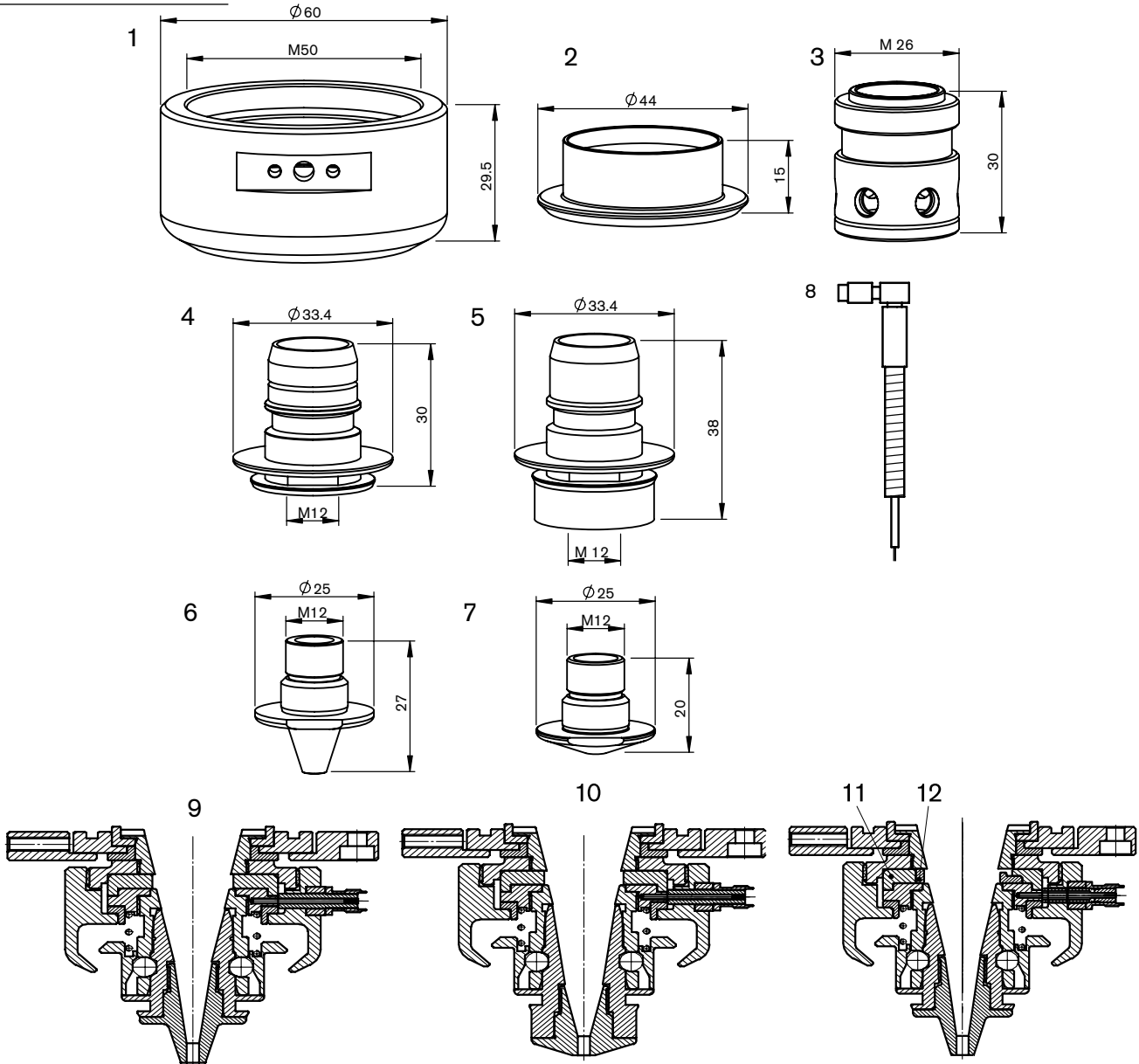


### Consumables

	Esse A part number	Centricut part number	Reference number	Description	Pkg qty
12	AL295	MZ413-7420	46143307420, 46143307421	MZ-Retainer nut	1
13	AL284	MZ408-0240	46143300240	MZ-Ring, ceramic	1
	AL384	MZ413-0240	46143300240T	MZ-Insulating, PTFE*	1
14	AL313	MZ413-7980	36143307980	MZ-Body, aluminum	1
15	AL289	MZ413-0220	46143300220	MZ-Spring	1
16	AL314	MZ413-8000	46143308000	MZ-Spring retainer, steel	1
17	AL291	MZ413-4400	36143304400, 36143304401	MZ-Coupler	1
	AL311	MZ413-0230 (not shown)	46143300230	MZ-Ball kit replacement (6 pcs)	1
18	AL242	MZ368-0001	36143304420	MZ-Nozzle holder Hyper Gear	1
19	Please refer to the Mazak® nozzle section				
20	AL317	MZ413-0030	46603300030, A05GS002560	MZ-Screw	1
21	AL318	MZ413-8170	46143308170	MZ-Spacer	1
22	AL315	MZ413-8190	46143308190	MZ-Connector	1
24	TMA50/C	MZ413-0001		MZ-Complete head (ceramic insulating)	1
23	TMA40/C	MZ413-0002		MZ-Complete head (aluminum)	1

\*PolyTetraFluoroEthylene is a fluorocarbon-based polymer and is commonly abbreviated PTFE. The Teflon® brand of PTFE is manufactured only by DuPont and is not sold by Hypertherm. Hypertherm purchases other brands of PTFE from various high quality manufacturers.

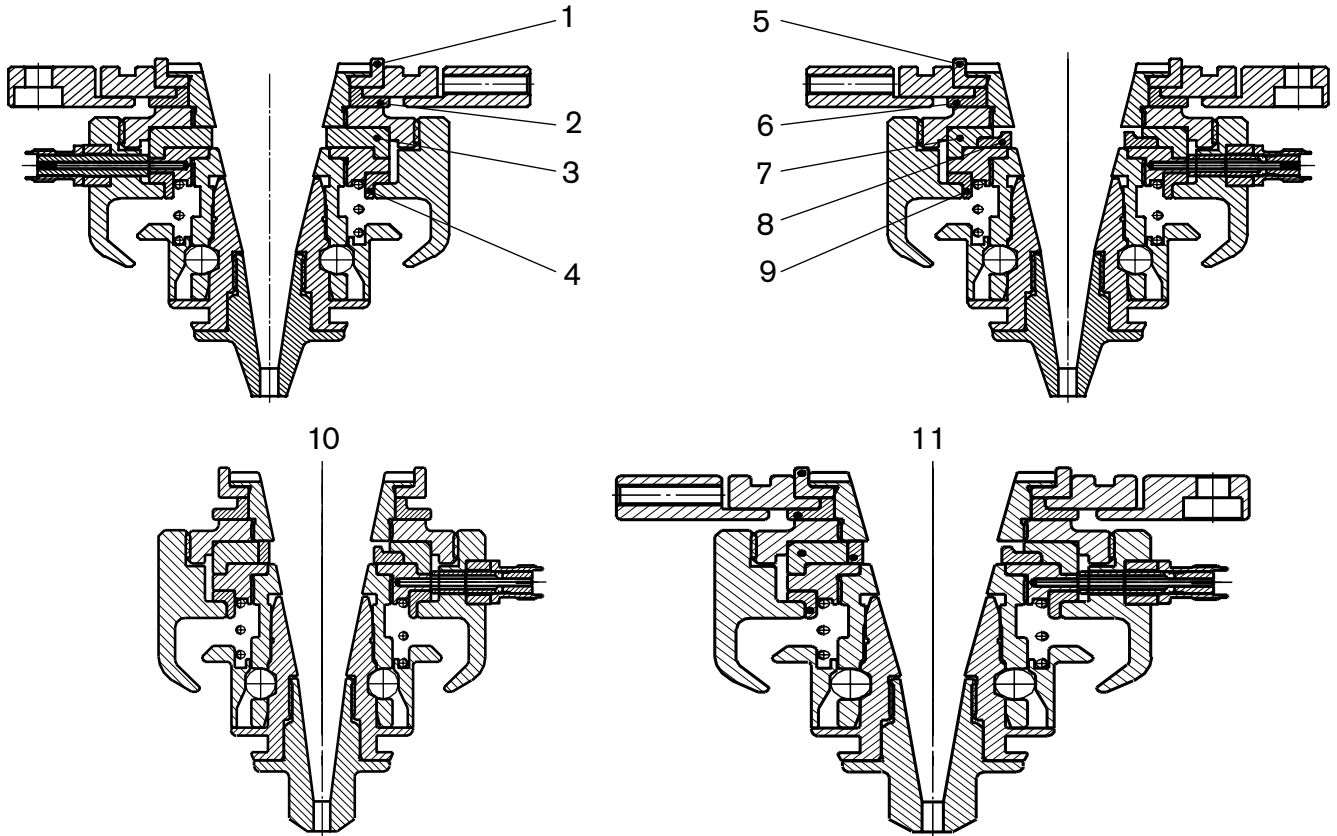
*HyperGear – PFP torch*



**Consumables**

	Esse A part number	Centricut part number	Reference number	Description	Pkg qty
	1 AL365	MZ368-0550	36143310550	MZ-Body, aluminum	1
	2 AL366	MZ368-0541	36143310541, 36143310542	MZ-Retainer, steel	1
	3 AL367	MZ368-0530	36143310530, 36143310531	MZ-Coupler	1
	4 AL362	MZ368-0522	36143310522E, 36143310522, 36143310523	MZ-Nozzle holder	1
	5 AL363	MZ368-0740	36143310740	MZ-Nozzle holder	1
	6	Please refer to the Mazak <sup>®</sup> slim nozzle section			
	7	Please refer to the Mazak <sup>®</sup> nozzle section			
	8 AL368	MZ335-8290	46143308290	MZ-Sensor cable, 75 mm (3")	1
	9 TMA60/C	MZ368-0060		MZ-Head w/ceramic spacer	1
	10 TMA70/C	MZ368-0070		MZ-Head w/ceramic spacer	1
11/12	AL463	MZ368-2180	46143312180	MZ-Ring, 23x4 ceramic	1
	AL464	MZ368-2170	46143312170	MZ-Ring 40x6, PPS	1

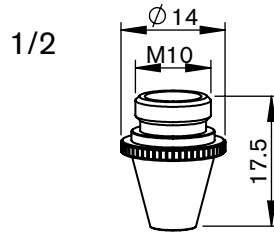
\*Mazak is a trademark of Yamatomo Kosan, K.K. Centricut is in no way directly or indirectly affiliated with Yamatomo Kosan, K.K. All parts are made by or for Centricut and are compatible with listed Mazak product. Centricut is a registered trademark of Hypertherm, Inc.



Consumables

	Esse A part number	Centricut part number	Reference number	Description	Pkg qty
1	AL286	MZ408-0270	46143300270	MZ-Ring, ceramic	1
	AL386	MZ413-0270	46143300270	MZ-Insulating, PTFE*	1
2	AL285	MZ408-0260	46143300260C	MZ-Ring, ceramic	1
	AL385	MZ413-0260	46143300260	MZ-Insulating, PTFE*	1
3	AL290	MZ408-4440	46143304440	MZ-Ring, ceramic	1
	AL390	MZ413-4440	46143304440	MZ-Insulating, PTFE*	1
4	AL284	MZ408-0240	46143300240	MZ-Ring, ceramic	1
	AL384	MZ413-0240	46143300240T	MZ-Insulating, PTFE*	1
5	AL486	MZ368-2100	46143312100	MZ-Insulating ring, 38x5.5 PPS	1
	AL488	MZ368-2101 <b>NEW</b>	46143312101	MZ-Insulating ring, 38x4.5 PPS	1
6	AL485	MZ368-2130	46143312130	MZ-Insulating ring, 40x4 PPS	1
7	AL490	MZ368-2080	46143312080	MZ-Spacer 40x6, PPS	1
8	AL487	MZ368-2090	46143312090	MZ-Ring, 30x3 ceramic	1
9	AL484	MZ368-2120	46143312120	MZ-Insulating ring, 40x5 PPS	1
10	TMA85	MZ368-0085	TMA85	MZ-Head w/PPS spacer	1
11	TMA80	MZ368-0080	TMA80	MZ-Head w/PPS spacer	1

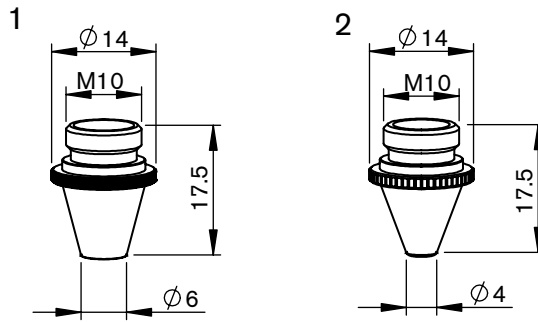
\*PolyTetraFluoroEthylene is a fluorocarbon-based polymer and is commonly abbreviated PTFE. The Teflon<sup>®</sup> brand of PTFE is manufactured only by DuPont and is not sold by Hypertherm. Hypertherm purchases other brands of PTFE from various high quality manufacturers.



## Consumables

	Esse A part number	Centricut part number	Reference number	Description	Pkg qty
1	L3077	MZ322-0512X	46603350512	MZ-Nozzle, 1.2 mm (10 pk)	10
	L30127	PT322-0520X	4660335052B	PT-Nozzle, 1.5 mm (10 pk)	10
	L30281	MZ322-0517X	46603350517-1,8	MZ-Nozzle, 1.8 mm (10 pk)*	10
	L3080	MZ322-0522X	4660335052C	MZ-Nozzle, 2.0 mm (10 pk)	10
	L30282	MZ322-0022X	46603350522-2,2	MZ-Nozzle, 2.2 mm (10 pk)*	10
	L30124	MZ322-0025X	46603350525	MZ-Nozzle, 2.5 mm (10 pk)	10
	L30150	MZ322-0030X	46603350530	MZ-Nozzle, 3.0 mm (10 pk)	10
	L30708	MZ322-1035X	46603350530-3,5	MZ-Nozzle, 3.5 mm (10 pk)	10
	L30709	MZ322-1040X	46603350530-4,0	MZ-Nozzle, 4.0 mm (10 pk)	10
	2	L3077X	MZ322-0512CPX	46603350512	MZ-Nozzle, 1.2 mm CP (10 pk)*
L30127X		PT322-0520CPX	4660335052B	PT-Nozzle, 1.5 mm CP (10 pk)*	10
L3080X		MZ322-0522CPX	4660335052C	MZ-Nozzle, 1.8 mm CP (10 pk)*	10
L30150X		MZ322-0030CPX	46603350530	MZ-Nozzle, 3.0 mm CP (10 pk)*	10

\* Centricut parts available in single packs. To order single packs, remove the 'X' at the end of the part number (e.g. AM123-4567X would be AM123-4567).  
For Esse A parts available in single packs. To order single packs, remove the '30' after the L in the part number (e.g. L301401X would be L401X).

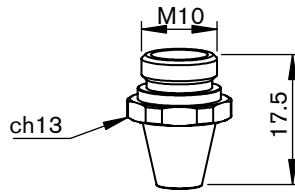


## Consumables

	Esse A part number	Centricut part number	Reference number	Description	Pkg qty	
1	L30616	MZ346-0002X		MZ-Nozzle double, 1.2 mm (10 pk)*	10	
	L30617	MZ346-0003X	46683302400	MZ-Nozzle double, 1.5 mm (10 pk)*	10	
	L30620	MZ346-0006X	46683302390	MZ-Nozzle double, 2.0 mm (10 pk)*	10	
	L30622	MZ346-0008X	46683302400	MZ-Nozzle double, 2.5 mm (10 pk)*	10	
	L30623	MZ346-0009X	46683302410	MZ-Nozzle double, 3.0 mm (10 pk)*	10	
	L30616X	MZ346-0002CPX		MZ-Nozzle double, 1.2 mm CP (10 pk)*	10	
	L30617X	MZ346-0003CPX	46683302380	MZ-Nozzle double, 1.5 mm CP (10 pk)*	10	
	L30618X	MZ346-0004CPX		MZ-Nozzle double, 1.7 mm CP (10 pk)	10	
	L30620X	MZ346-0006CPX	46683302390	MZ-Nozzle double, 2.0 mm CP (10 pk)*	10	
	L30621X	MZ346-0007CPX		MZ-Nozzle double, 2.2 mm CP (10 pk)	10	
	L30622X	MZ346-0008CPX	46683302400	MZ-Nozzle double, 2.5 mm CP (10 pk)*	10	
	L30623X	MZ346-0009CPX	46683302410	MZ-Nozzle double, 3.0 mm CP (10 pk)*	10	
	2	L30250	MZ321-0010X	46603350521	MZ-Nozzle, 1.0 mm (10 pk)	10
		L30251	MZ321-0012X	46603350521	MZ-Nozzle, 1.2 mm (10 pk)	10
L30252		MZ321-0520X	46603350520	MZ-Nozzle, 1.5 mm (10 pk)	10	
L30253		MZ321-0017X	46603350521	MZ-Nozzle, 1.7 mm (10 pk)	10	
L30254		MZ321-0054X	46603350522	MZ-Nozzle, 2.0 mm (10 pk)	10	
L30770		MZ321-1025X	46603350522	MZ-Nozzle, 2.5 mm (10 pk)	10	
L30771		MZ321-1030X	46683301281	MZ-Nozzle, 3.0 mm (10 pk)	10	
L30254X		MZ321-0054CPX	46603350522	MZ-Nozzle, 2.0 mm CP (10 pk)	10	

\* Centricut parts available in single packs. To order single packs, remove the 'X' at the end of the part number (e.g. AM123-4567X would be AM123-4567).  
For Esse A parts available in single packs. To order single packs, remove the '30' after the L in the part number (e.g. L301401X would be L401X).

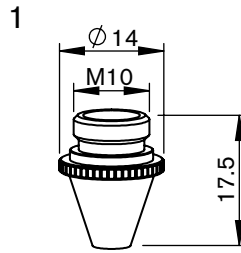
1-2



Consumables

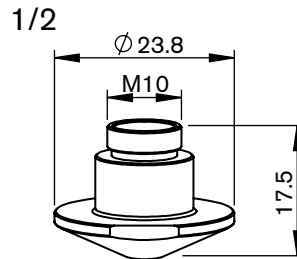
	Esse A part number	Centricut part number	Reference number	Description	Pkg qty
1	L30726	MZ385-0511X	46603350511	MZ-Nozzle hexagonal, 1.0 mm (10 pk)*	10
	L30727	MZ385-5052X	4660335052A	MZ-Nozzle hexagonal, 1.2 mm (10 pk)*	10
	L30728	MZ385-5052BX	4660335052B	MZ-Nozzle hexagonal, 1.5 mm (10 pk)*	10
	L30731	MZ385-5052CX	4660335052C	MZ-Nozzle hexagonal, 2.0 mm (10 pk)*	10
	L30733	MZ385-0003X	4660335052D	MZ-Nozzle hexagonal, 2.5 mm (10 pk)*	10
	L30734	MZ385-1003X	46603350530	MZ-Nozzle hexagonal, 3.0 mm (10 pk)	10
2	L30731X	MZ385-0052CPX	4660335052C	MZ-Nozzle hexagonal, 2.0 mm CP (10 pk)*	10
	L30733X	MZ385-0003CPX	4660335052D	MZ-Nozzle hexagonal, 2.5 mm CP (10 pk)	10
	L30734X	MZ385-1003CPX	46603350530	MZ-Nozzle hexagonal, 3.0 mm CP (10 pk)	10

\* Centricut parts available in single packs. To order single packs, remove the 'X' at the end of the part number (e.g. AM123-4567X would be AM123-4567).  
For Esse A parts available in single packs. To order single packs, remove the '30' after the L in the part number (e.g. L301401X would be L401X).



Consumables

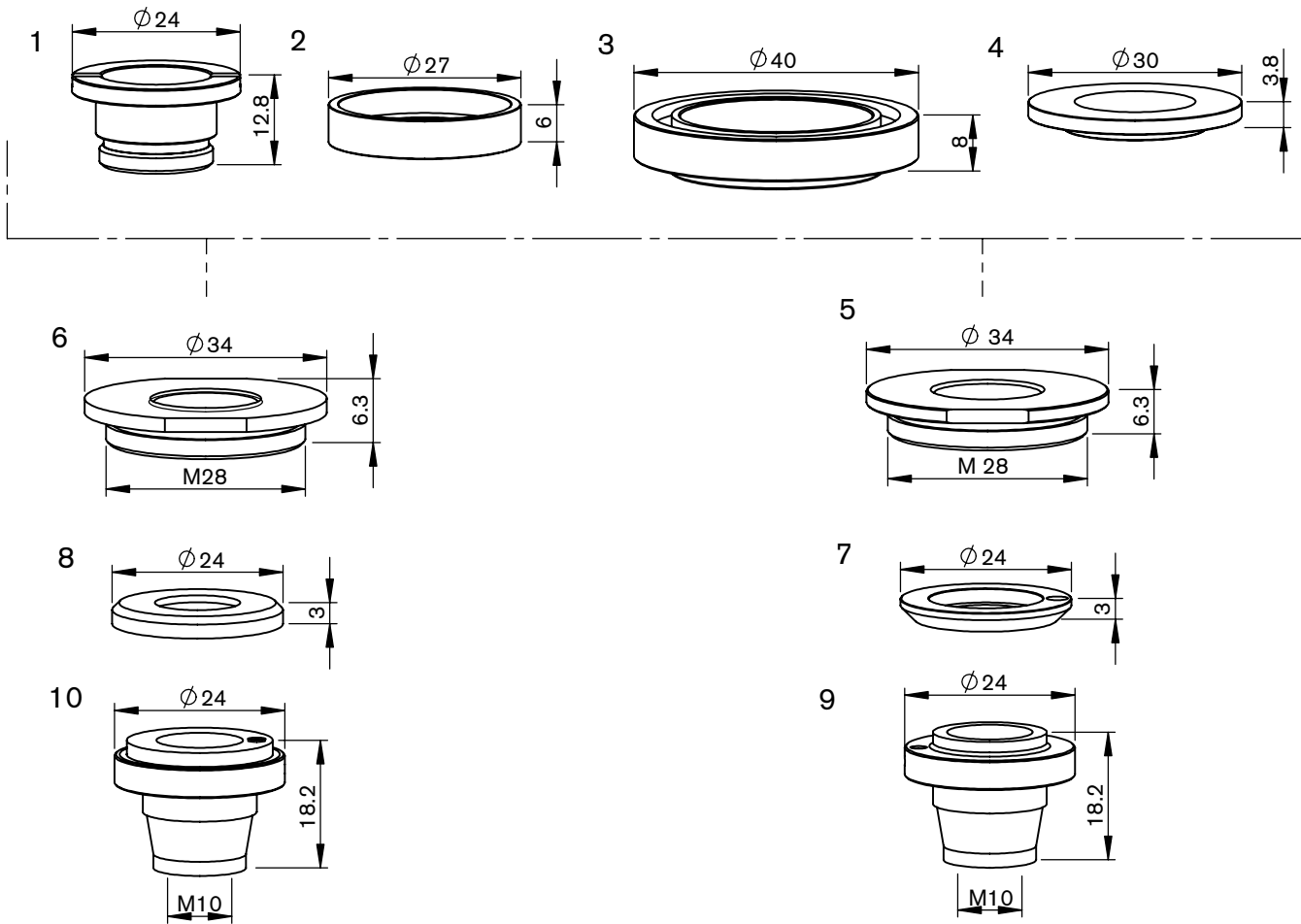
	Esse A part number	Centricut part number	Reference number	Description	Pkg qty
1	L493	MZ322-0523-1.5		MZ-Nozzle shower, 1.5 mm	1
	L497	MZ322-0523-2.0		MZ-Nozzle shower, 2.0 mm	1



Consumables

	Esse A part number	Centricut part number	Reference number	Description	Pkg qty
1	L423	MZ335-0011		MZ-Nozzle, 1.2 mm	1
	L429	MZ335-1950	46683301950	MZ-Nozzle, 1.5 mm	1
	L430	MZ335-1821	46683301821	MZ-Nozzle, 2.0 mm	1
	L431	MZ335-1960	46683301960	MZ-Nozzle, 2.5 mm	1
	L432	MZ335-1970	46683301970	MZ-Nozzle, 3.0 mm	1
	L472	MZ335-0006		MZ-Nozzle, 3.5 mm	1
	L473	MZ335-0013		MZ-Nozzle, 4.0 mm	1
	L429X	MZ335-1950CP	46683301950	MZ-Nozzle, 1.5 mm CP	1
	L430X	MZ335-1821CP	46683301821	MZ-Nozzle, 2.0 mm CP	1
	L431X	MZ335-1960CP	46683301960	MZ-Nozzle, 2.5 mm CP	1
	L432X	MZ335-1970CP	46683301970	MZ-Nozzle, 3.0 mm CP	1
	2	L851	MZ360-0002		MZ-Nozzle double, 1.2 mm
L852		MZ360-0003	46683302420	MZ-Nozzle double, 1.5 mm	1
L853		MZ360-0005	46683302430	MZ-Nozzle double, 2.0 mm	1
L854		MZ360-0007		MZ-Nozzle double, 2.5 mm	1
L855		MZ360-0008	46683302450	MZ-Nozzle double, 3.0 mm	1
L852X		MZ360-0003CP	46683302420	MZ-Nozzle double, 1.5 mm CP	1
L853X		MZ360-0005CP	46683302430	MZ-Nozzle double, 2.0 mm CP	1
L855X		MZ360-0008CP		MZ-Nozzle double, 3.0 mm CP	1

\*Mazak is a trademark of Yamatomo Kosan, K.K. Centricut is in no way directly or indirectly affiliated with Yamatomo Kosan, K.K. All parts are made by or for Centricut and are compatible with listed Mazak product. Centricut is a registered trademark of Hypertherm, Inc.

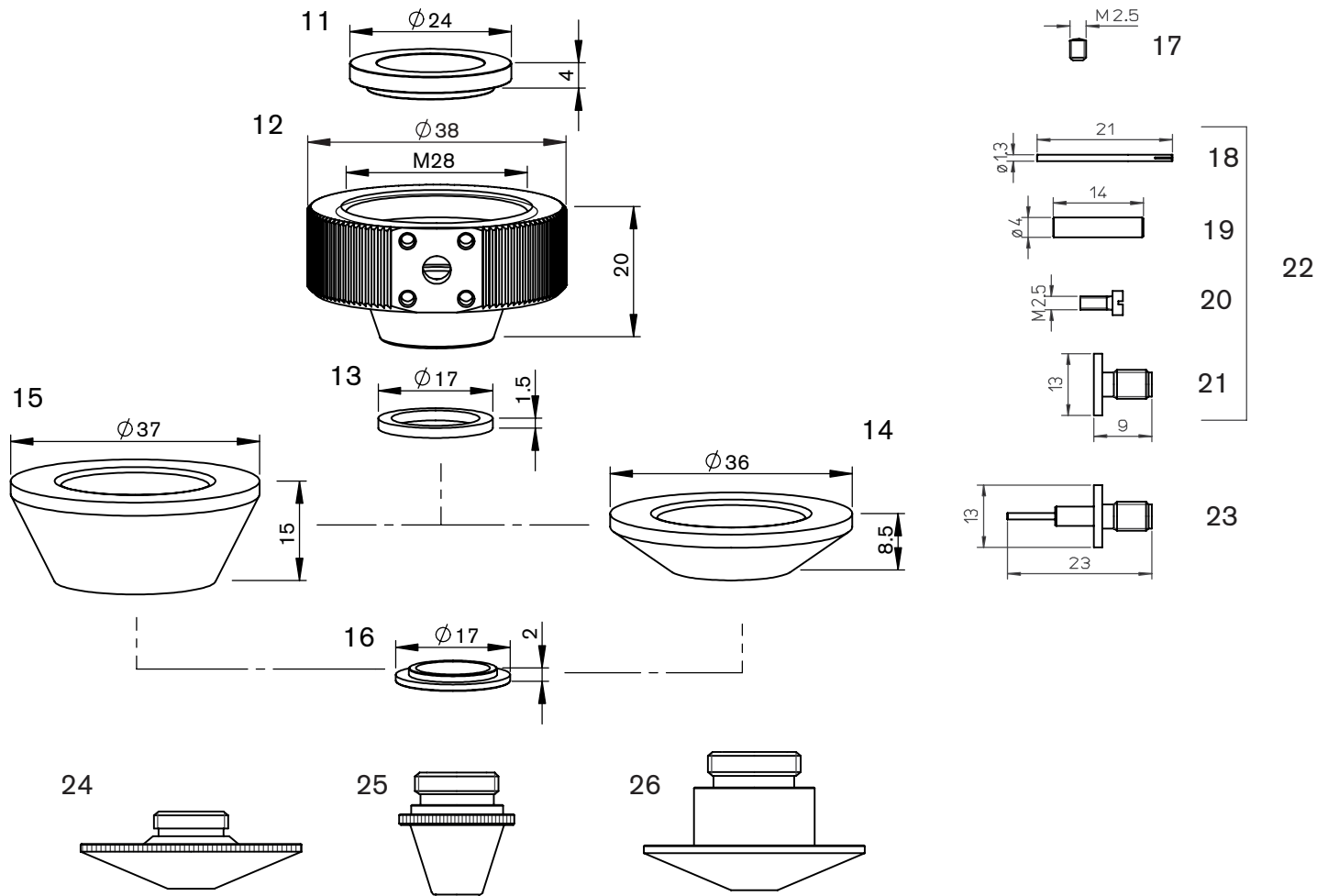


Consumables

	Esse A part number	Centricut part number	Reference number	Description	Pkg qty
1	AL74	MZ335-1110	46683301110, 46773300500	MZ-Bracket, copper	1
2	AL80	MZ335-1080	46683302081, 46683301080	MZ-Spacer 27x5.5, PTFE*	1
	AL80/P	MZ335-1080P	46683302081, 46683301080	MZ-Ring, plastic	1
	AL280	MZ335-1080C	46683302081, 46683301080	MZ-Ring, ceramic	1
	ALM280	MZ335-1080M	46683301080, 46683302081	MZ-Spacer 27x5.5, ceramic	1
	AL97	MZ309-3200 (not shown)		MZ-O-ring external base	1
3	AL84	MZ335-1070	46683301070	MZ-Base, brass	1
4	AL79	MZ335-1090	46683301090, 46683302091	MZ-Spacer 30x4, PTFE*	1
	AL79/P	MZ335-0090C	46683301090, 46683302091	MZ-Spacer 30x4, special	1
	AL279	MZ335-1090C	46683301090, 46683302091	MZ-Ring, ceramic	1
	ALM279	MZ335-1090M	46683301090, 46683302091	MZ-Spacer 30x4, ceramic	1
	5	AL376	MZ335-1101	46773300510	MZ-Nut, copper
6	AL83	MZ335-1100	46683301100	MZ-Bracket, copper	1
	AL77	MZ335-1120	46683301120	MZ-Spacer 24x3, PTFE*	1
	AL77/P	MZ335-1120LL	46683301120	MZ-Ring long life	1
7	AL277	MZ335-1120C	46683301120	MZ-Ring, ceramic	1
	AL377	MZ335-0710	46677330710	MZ-Ring, ceramic	1
8	ALM377	MZ335-0710M	46773300710	MZ-Spacer 24x3, ceramic	1
	AL75	MZ335-0850	46683300850	MZ-Nozzle body, copper	1
10	AL253	MZ335-0720	46773300720, 46773300721, 46683300720	MZ-Nozzle body, copper	1

(Continued on next page)

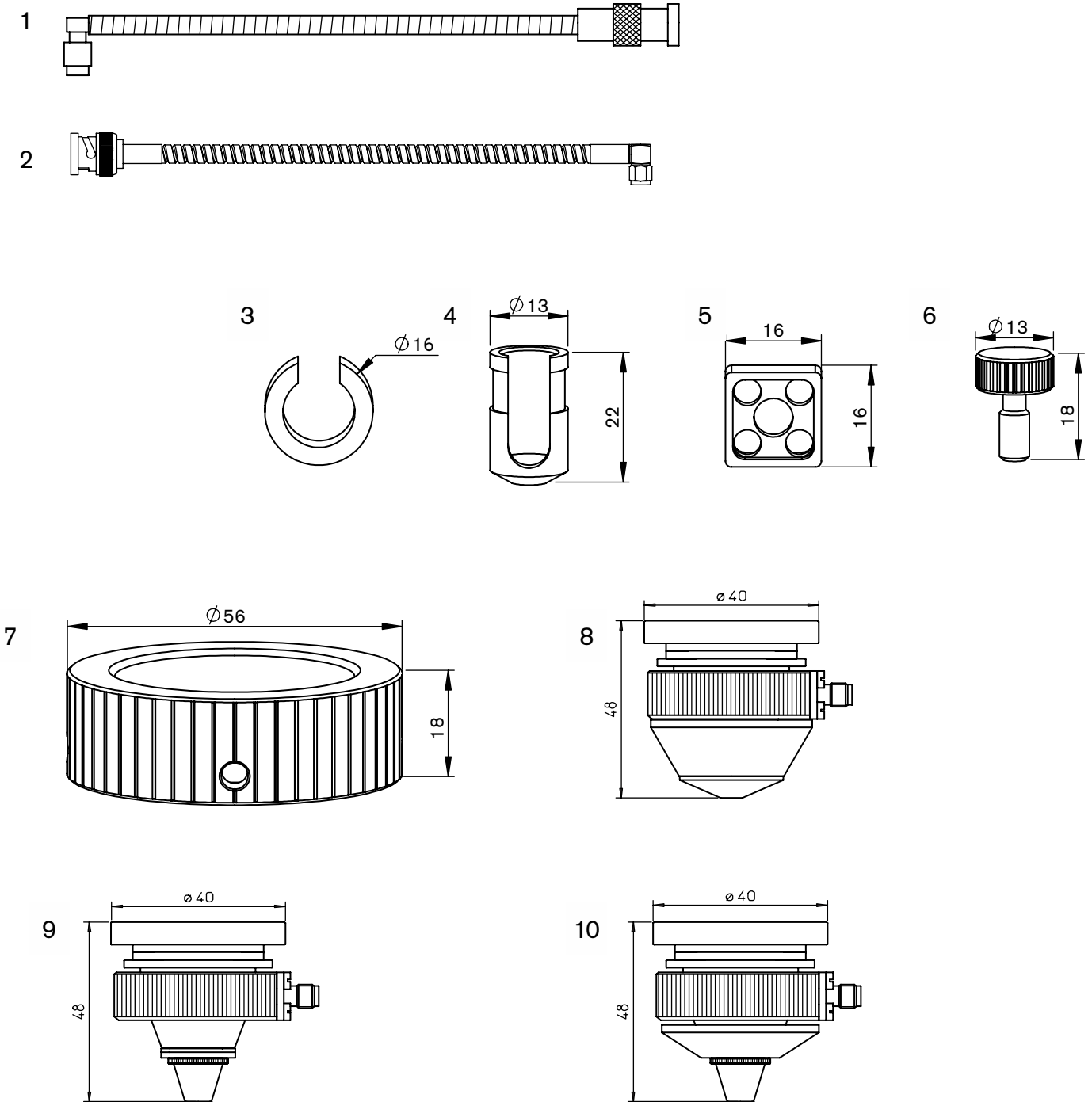
\*Mazak is a trademark of Yamatomo Kosan, K.K. Centricut is in no way directly or indirectly affiliated with Yamatomo Kosan, K.K. All parts are made by or for Centricut and are compatible with listed Mazak product. Centricut is a registered trademark of Hypertherm, Inc.



Consumables

	Esse A part number	Centricut part number	Reference number	Description	Pkg qty
11	AL78	MZ335-1130	46683301130, 46683302111	MZ-Spacer 24x4, PTFE*	1
	AL78/P	MZ335-1130LL	46683301130	MZ-Ring long life	1
	AL278	MZ335-1130C	46683301130	MZ-Spacer, ceramic	1
	ALM278	MZ335-1130M	46683301130	MZ-Spacer 24x4, ceramic	1
12	AL73	MZ335-1140	46683301140, 36773300530	MZ-Housing, aluminum	1
13	AL81	MZ335-1150	46683301150	MZ-Spacer 17x1.5, PTFE*	1
14	AL111	MZ335-1930	46683301930	MZ-Nozzle body cover	1
	AL111/P	MZ335-1930LL	46683301930P	MZ-Nozzle body cover, long life	1
	AL275	MZ335-0009	46683301930C	MZ-Protective cover, ceramic	1
15	AL118	MZ335-1841	46683301841	MZ-Nozzle cover	1
16	AL82	MZ335-1160	46683301160	MZ-Ring, 17x2, copper	1
17	AL119	MZ335-1180	46683301180	MZ-Bolt	1
18	AL76	MZ335-1170	46683301170	MZ-Contact	1
19	AL88	MZ335-0030	46683300030	MZ-Connecting pipe, PTFE *	1
20	AL127	MZ335-0000	46683300000	MZ-Screws for connector kit MZ335-0001 (4 pcs)	4
21	AL113	MZ335-1113	46683301170	MZ-Connector	1
22	AL154	MZ335-0001	46683301171, 46683301170, not assembled	MZ-Connector kit	1
23	AL213	MZ335-0001A	46683301171, 46683301170	MZ-Connector kit, assembled	1
24	Please refer to the Trumpf® nozzle section				
25	Please refer to the Mazak® nozzle section				
26	Please refer to the Mazak® nozzle section				

\*PolyTetraFluoroEthylene is a fluorocarbon-based polymer and is commonly abbreviated PTFE. The Teflon® brand of PTFE is manufactured only by DuPont and is not sold by Hypertherm. Hypertherm purchases other brands of PTFE from various high quality manufacturers.



**Consumables**

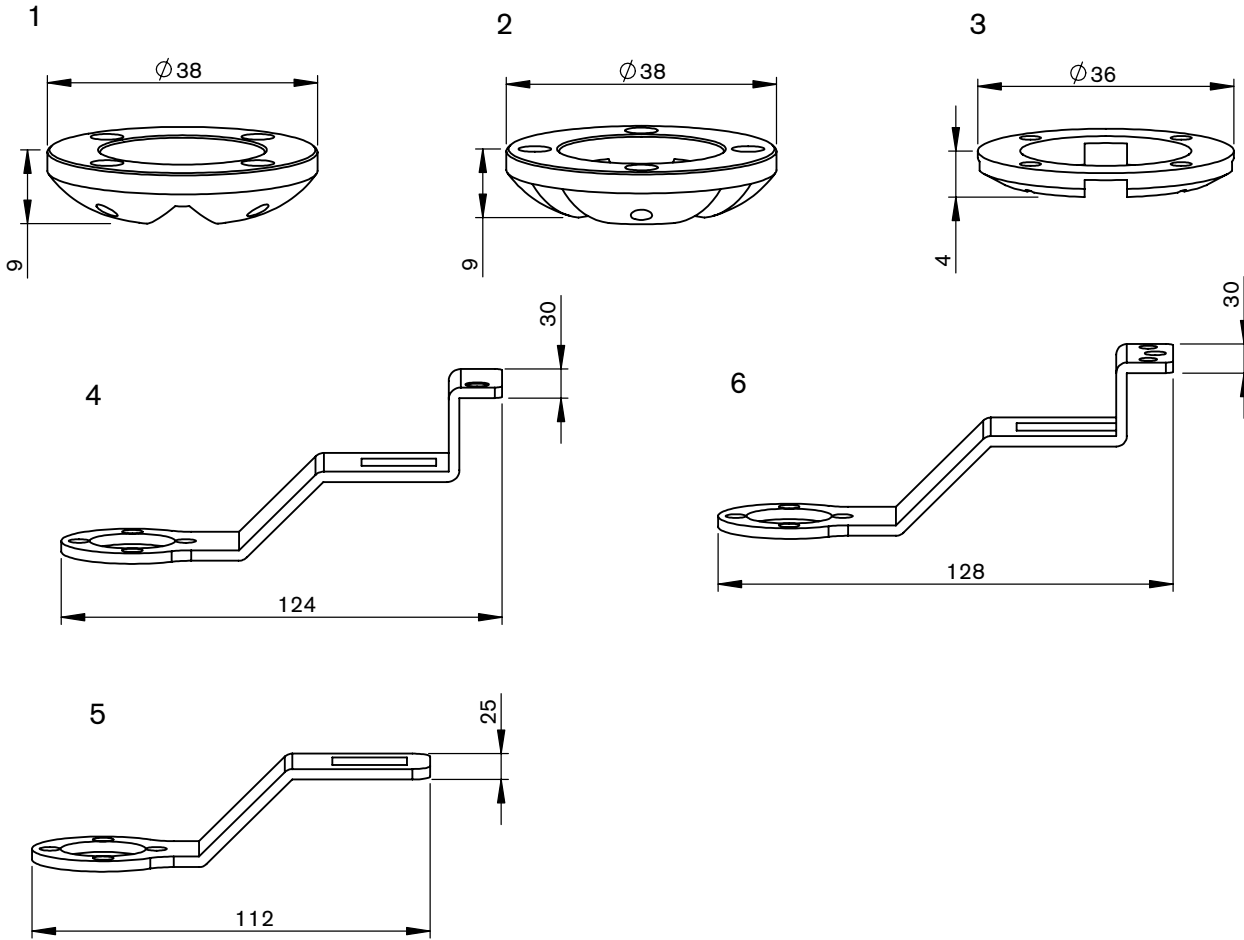
	Esse A part number	Centricut part number	Reference number	Description	Pkg qty
1	AL103	MZ335-1980	46683301980, 46683301982	MZ-Sensor head connecting cable, short 280 mm (11")	1
	AL103/S	MZ335-1330	46683301330	MZ-Sensor head connecting cable, long 310 mm (12")	1
2	AL622	MZ335-1330A	46683301330	MZ-Sensor cable, 305 mm (12") armored	1
	AL643	MZ335-1980A	46683301980, 46683301982	MZ-Sensor cable, 280 mm (11") armored	1
3	AL155	MZ335-1870	46683301870, 46683301920	MZ-Cover clips	1

\*Mazak is a trademark of Yamatomo Kosan, K.K. Centricut is in no way directly or indirectly affiliated with Yamatomo Kosan, K.K. All parts are made by or for Centricut and are compatible with listed Mazak product. Centricut is a registered trademark of Hypertherm, Inc.

## Consumables

	Esse A part number	Centricut part number	Reference number	Description	Pkg qty
4	AL156	MZ335-1860	46683301860, 46683301910	MZ-Cable connector cover	1
	AL156/P	MZ335-1860LL	46683301860	MZ-Connector cover, long life	1
5	AL157	MZ335-1850	46683301851	MZ-Connector cover	1
	AL157/P	MZ335-1850P	46683301850, 46683301851	MZ-Cover, plastic	1
6	AL152	MZ335-0320	46683300032, 46603300032	MZ-Bolt M5 x 0.5	1
7	AL153	MZ335-0930	46683300930	MZ-Ring	1
8	TMA10	MZ335-0002		MZ-Head w/PTFE* spacer	1
	TMA10/C	MZ335-1013		MZ-Head w/ceramic spacer	1
	TMA10/P	MZ335-0012		MZ-Head w/long life spacer	1
9	TMA20	MZ335-1014		MZ-Head w/PTFE* spacer	1
	TMA20/P	MZ335-0015		MZ-Head w/long life spacer	1
	TMA20/C	MZ335-0016		MZ-Head w/ceramic spacer	1
10	TMA30	MZ335-0017		MZ-Head w/PTFE spacer	1
	TMA30/P	MZ335-0018		MZ-Head w/long life spacer	1
	TMA30/C	MZ335-0019		MZ-Head w/ceramic spacer	1

\*PolyTetraFluoroEthylene is a fluorocarbon-based polymer and is commonly abbreviated PTFE. The Teflon® brand of PTFE is manufactured only by DuPont and is not sold by Hypertherm. Hypertherm purchases other brands of PTFE from various high quality manufacturers.

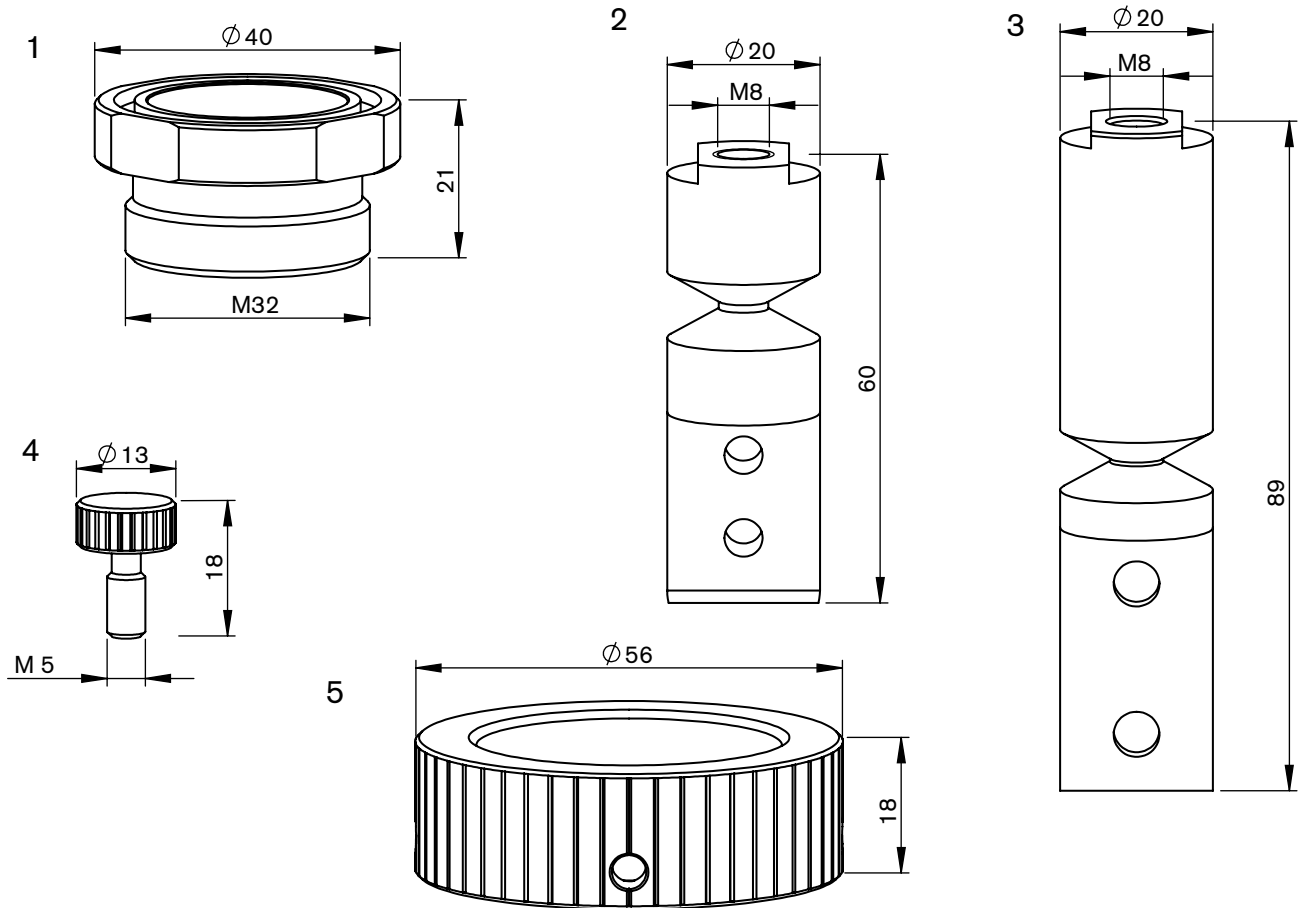


(5-7 not to scale)

**Consumables**

	Esse A part number	Centricut part number	Reference number	Description	Pkg qty
1	AL10	MZ309-5080	46602350080	MZ-Stylus foot H9, brass	1
	AL15	MZ309-1043	46572301043	MZ-Stylus foot H9, steel	1
	AL16	MZ309-1045	46572301045	MZ-Stylus foot H9, PTFE*	1
2	AL132	MZ309-0001		MZ-Stylus foot H9, brass	1
3	AL117	MZ309-0520	46512300520	MZ-Stylus foot H4, brass	1
4	AL66	MZ309-0580	36602300580	MZ-Stylus arm w/screw M6	1
5	AL60	MZ309-0560	36602300560, 36682300050	MZ-Stylus arm	1
6	AL167	MZ309-0281	36682300281	MZ-Stylus arm w/screw M6 and M5	1
		MZ309-001 (not shown)	68057488	MZ-Screws for stylus feet (10 pcs)	10

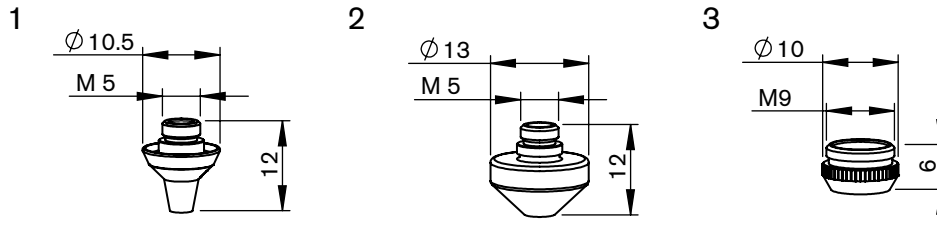
\*PolyTetraFluoroEthylene is a fluorocarbon-based polymer and is commonly abbreviated PTFE. The Teflon® brand of PTFE is manufactured only by DuPont and is not sold by Hypertherm. Hypertherm purchases other brands of PTFE from various high quality manufacturers.



**Consumables**

	Esse A part number	Centricut part number	Reference number	Description	Pkg qty
1	AL63	MZ309-0080	46523300080	MZ-Base	1
	AL97	MZ309-3200 (not shown)		MZ-O-ring external base	1
2	AL14	MZ309-0280	36682300280, 36673300280	MZ-Breakaway bar L60-M8	1
3	AL12	MZ309-0550	36602300230	MZ-Breakaway bar L89-M8	1
4	AL152	MZ335-0320	46683300032, 46603300032	MZ-Bolt M5 x 0.5	1
5	AL153	MZ335-0930	46683300930	MZ-Ring	1

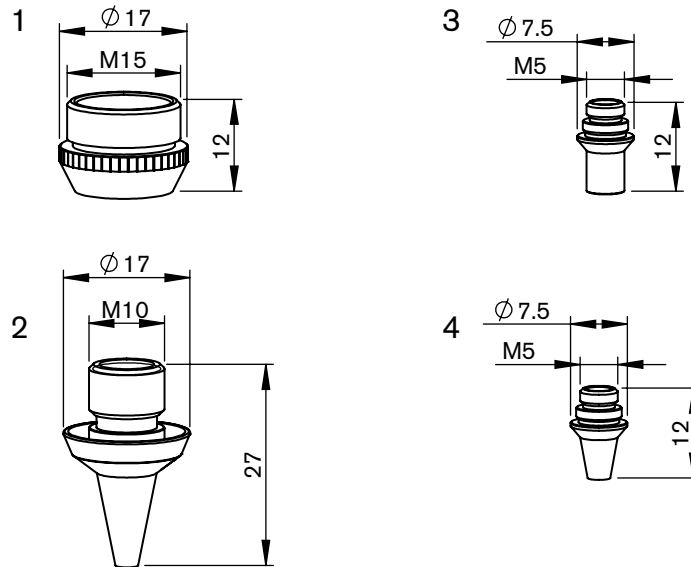
\*Mazak is a trademark of Yamatomo Kosan, K.K. Centricut is in no way directly or indirectly affiliated with Yamatomo Kosan, K.K. All parts are made by or for Centricut and are compatible with listed Mazak product. Centricut is a registered trademark of Hypertherm, Inc.



## Consumables

	Esse A part number	Centricut part number	Reference number	Description	Pkg qty
1	L30554	PT347-0005X	46713300290-10	PT-Nozzle 3D, 1.0 mm (10 pk)*	10
	L30555	PT347-0090X	46713300290-12	PT-Nozzle 3D, 1.2 mm (10 pk)	10
	L30556	PT347-0290X	46713300290-15, P0352-381-00015	PT-Nozzle 3D, 1.5 mm (10 pk)*	10
	L30557	PT347-0118X	P0352-377-00018	PT-Nozzle 3D, 1.8 mm (10 pk)	10
	L30558	PT347-0280X	46713300310, P0352-382-00020	PT-Nozzle 3D, 2.0 mm (10 pk)*	10
	L30560	PT347-0001X	46713300280-25	PT-Nozzle 3D, 2.5 mm (10 pk)*	10
	L30563	PT347-0002X	46713300280-30, 46713300430	PT-Nozzle 3D, 3.0 mm (10 pk)*	10
	L30564	PT347-0035X	46713300280-35	PT-Nozzle 3D, 3.5 mm (10 pk)*	10
2	L30577	PT347-0012X	46713300310	PT-Nozzle 2D, 1.2 mm (10 pk)	10
	L30578	PT347-0310X	P0352-386-00015	PT-Nozzle 2D, 1.5 mm (10 pk)*	10
	L30580	PT347-0300X	46713300300, P0352-387-00020	PT-Nozzle 2D, 2.0 mm (10 pk)*	10
	L30581	PT347-0003X	46713300300-25	PT-Nozzle 2D, 2.5 mm (10 pk)*	10
	L30582	PT347-0006X	46713300300-30	PT-Nozzle 2D, 3.0 mm (10 pk)*	10
3	AL160	PT347-0320	46713300321, P0352-311-00001	PT-Union Nut, Vespel	1

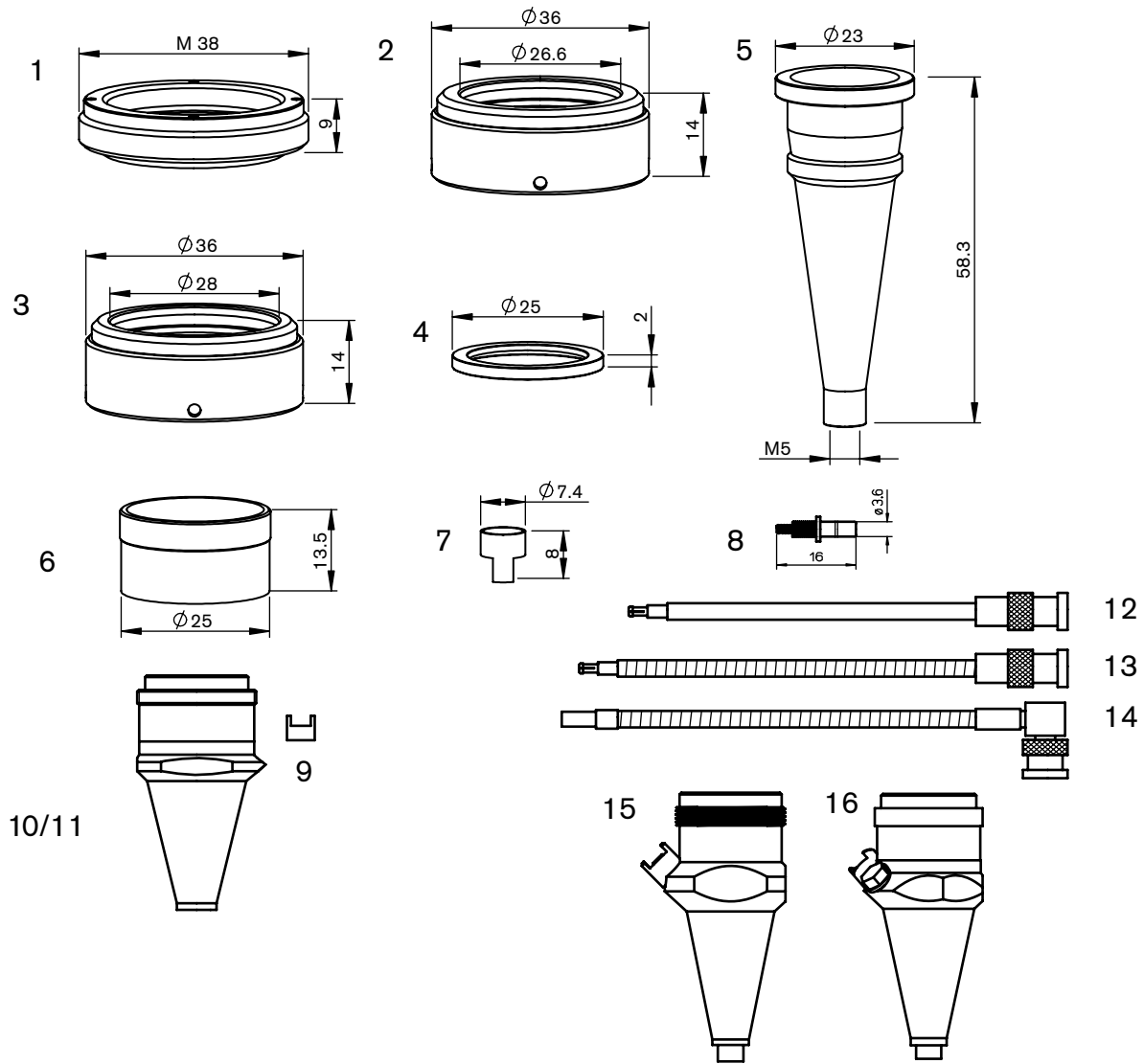
\* Centricut parts available in single packs. To order single packs, remove the 'X' at the end of the part number (e.g. AM123-4567X would be AM123-4567).  
For Esse A parts available in single packs. To order single packs, remove the '30' after the L in the part number (e.g. L301401X would be L401X).



## Consumables

	Esse A part number	Centricut part number	Reference number	Description	Pkg qty
1	AL337	MZ332-1280	46713331280	MZ-Nut, Vespel	1
2	L301295	MZ332-1320X	46713331320	MZ-Nozzle 3D, 1.2 mm (10 pk)*	10
	L301296	MZ332-1310X	46713331310	MZ-Nozzle 3D, 1.5 mm (10 pk)*	10
	L301301	MZ332-1301X		MZ-Nozzle 3D, 1.8 mm (10 pk)*	10
	L301297	MZ332-1300X	46713331300	MZ-Nozzle 3D, 2.0 mm (10 pk)*	10
	L301298	MZ332-1330X	46713331330	MZ-Nozzle 3D, 2.5 mm (10 pk)*	10
	L301299	MZ332-1290X	46713331290	MZ-Nozzle 3D, 3.0 mm (10 pk)*	10
3	L30482	PT347-1013X	281013, P0352-325-00015	PT-Nozzle ZK, 1.5 mm (10 pk)	10
	L30485	PT347-1025X	350044.3, P0352-328-00025	PT-Nozzle ZK, 2.5 mm (10 pk)*	10
4	L30486	PT347-1006X	281006, P0352-333-00010	PT-Nozzle KK, 1.0 mm (10 pk)	10
	L30488	PT347-1031X	281031, P0352-335-00015	PT-Nozzle KK, 1.5 mm (10 pk)*	10
	L30489	PT347-0898X	280898, P0352-336-00018	PT-Nozzle KK, 1.8 mm (10 pk)	10
	L30490	PT347-1020X	P0352-336-00020	PT-Nozzle KK, 2.0 mm (10 pk)*	10

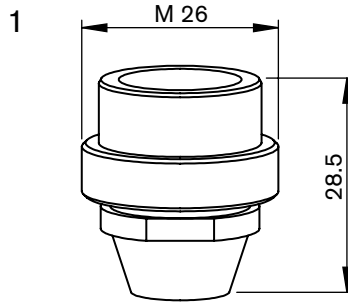
\* Centricut parts available in single packs. To order single packs, remove the 'X' at the end of the part number (e.g. AM123-4567X would be AM123-4567).  
For Esse A parts available in single packs. To order single packs, remove the '30' after the L in the part number (e.g. L301401X would be L401X).



Consumables

	Esse A part number	Centricut part number	Reference number	Description	Pkg qty
1	AL198	PT347-4297	P0492-702-00001, 29100021	PT-Insulating ring outer body	1
	AL94	AM326-6453 (not shown)		AM-O-ring for outer nozzle	1
2	AL218	PT347-0008	46713330200	PT-Isolating ring outer body (Precitec)	1
3	AL221	PT347-0920	46713330920	PT-Isolating ring outer body (Mazak)	1
4	AL350	PT347-350	46713330960	PT-Isolating ring, inner cone	1
5	AL349	PT347-349	46713330930	PT-Sensor cone inner	1
6	AL353	PT347-0940	46713330940	PT-Retaining ring	1
7	AL256	PT347-0009	46713300390	PT-Connector protector	1
8	AL354	PT347-1111	46713331111	PT- Connector w/spring	1
9	AL256	PT347-9006		PT-Connector cup, HNP	1
10	AL351	PT347-1240	46713331240	PT-Torch outer body	1
11	AL369	PT347-0369		Complete outer torch (PT347-1240/1111/0009)	1
12	AL204	PT347-0101	P0360-100-00500, 46713300100	PT-Sensor head connecting cable OEM	1
13	AL257	PT347-1386	281386, P0360-155-00500	PT-Electrode cable	1
14	AL358	PT347-0181	46743300181	PT-Sensor cable	1
	AL364		46743300182	PT-Sensor cable 35CM	1
15		PT347-3323	567123323A1	PT-Sensor cone HNP	1
16	AL211	PT347-0007	P0354-110-00001, P0354-110-00002	PT-Sensor cone HNZ	1

\*Mazak is a trademark of Yamatomo Kosan, K.K. Centricut is in no way directly or indirectly affiliated with Yamatomo Kosan, K.K. All parts are made by or for Centricut and are compatible with listed Mazak product. Centricut is a registered trademark of Hypertherm, Inc.



**Consumables**

	Esse A part number	Centricut part number	Reference number	Description	Pkg qty
1	AL11	MZ321-0510	46603350510	MZ-Nozzle adapter body	1

1



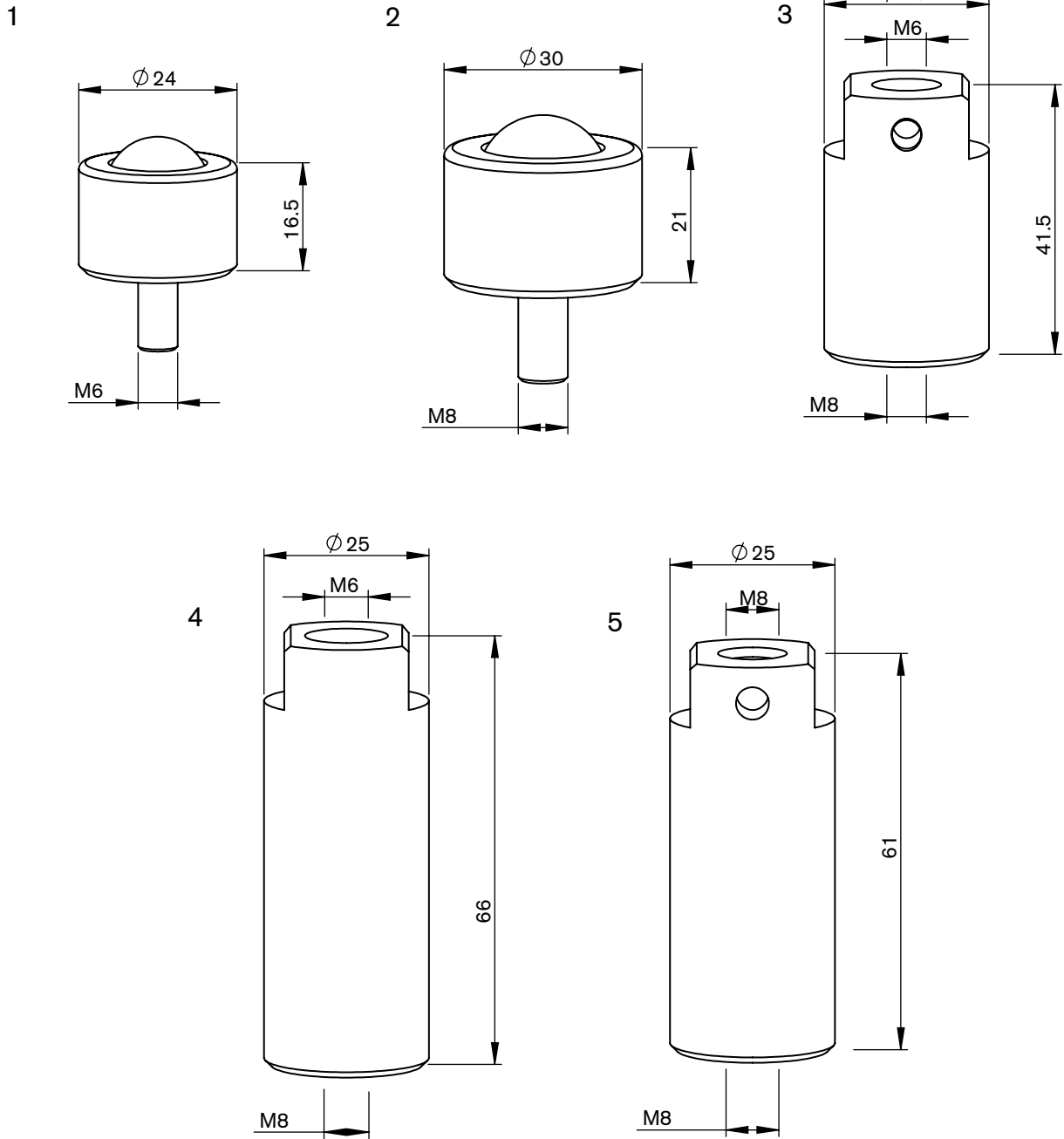
**Consumables**

	Esse A part number	Centricut part number	Reference number	Description	Pkg qty
1		MZ335-1330A	46683301330	MZ-Sensor cable, 305 mm (12") armored	1
		MZ335-1980A	46683301980, 46683301982	MZ-Sensor cable, 280 mm (11") armored	1
	AL620	MZ335-0111A (not shown)	46743300111	MZ-Sensor cable, 280 mm (11") armored	1
	AL621	MZ335-0181A (not shown)	46743300181	MZ-Sensor cable, 317.5 mm (12.5") armored	1
	AL105	MZ335-5320 (not shown)	46143355320	MZ-Sensor cable lower, 61.5 mm (2.42") armored	1
	AL623	MZ335-630A (not shown)		MZ-Sensor cable, 630 mm (25") armored	1
	AL605	MZ335-HNPS (not shown)	HNPS	MZ-Sensor cone, HNP short version	1

**Consumables**

	Esse A part number	Centricut part number	Reference number	Description	Pkg qty
		BY328-3884 (not shown)	333884	BY-Screws, plastic (2 pcs)	2
		AM313-2023 (not shown)	71232023, Z50MBP00090	AM-Vacuum pump filter	1

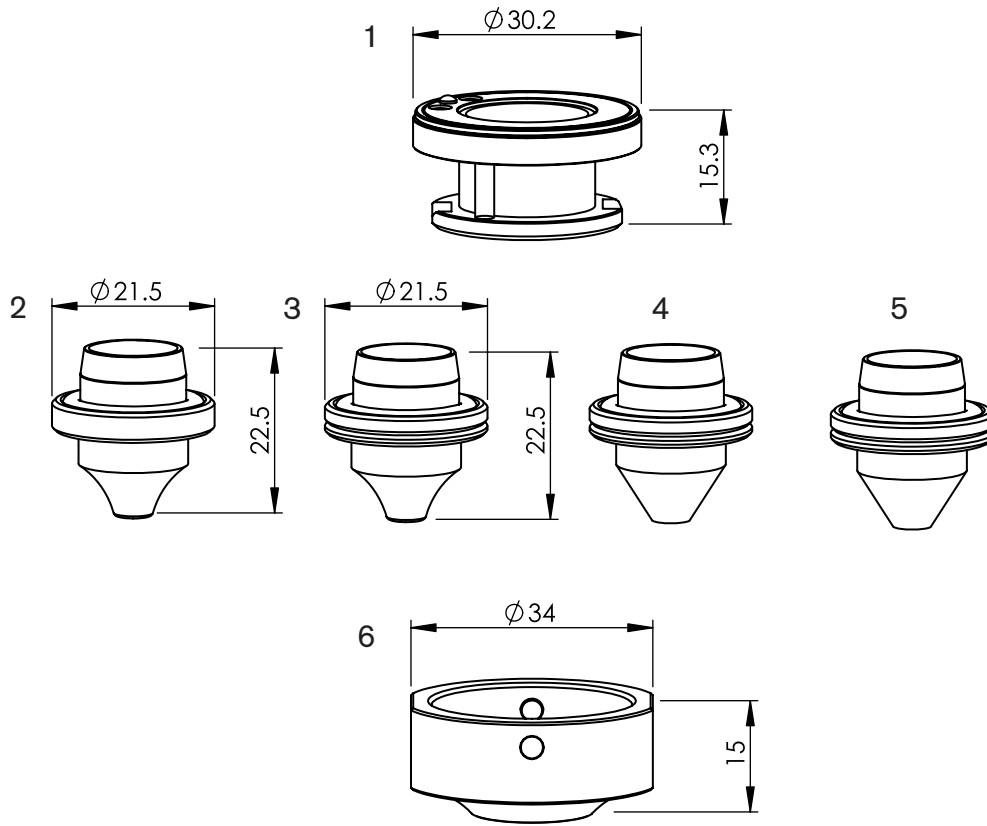
\*Mazak is a trademark of Yamatomo Kosan, K.K. Centricut is in no way directly or indirectly affiliated with Yamatomo Kosan, K.K. All parts are made by or for Centricut and are compatible with listed Mazak product. Centricut is a registered trademark of Hypertherm, Inc.



**Consumables**

	Esse A part number	Centricut part number	Reference number	Description	Pkg qty
1	AL61	MZ309-Z580	Z21KV000580	MZ-Roller ball M6, 25 mm	1
	AL3061	MZ309-Z580X	Z21KV000580	MZ-Roller ball M6, 25 mm (10 pk)	10
	AL325	MZ309-Z580B	Z21KV000580	MZ-Roller ball M6, 25 mm (2 pk)	1
2	AL210	MZ309-1160	Z21ZZ001160	MZ-Roller ball M8, 30 mm	1
3	AL62	MZ309-0321	46575100321	MZ-Block, L41.5 stainless steel	1
4	AL134	MZ309-0050	46705100050	MZ-Block, L66 stainless steel	1
5	AL324	MZ309-0324		MZ-Block, stainless steel	1

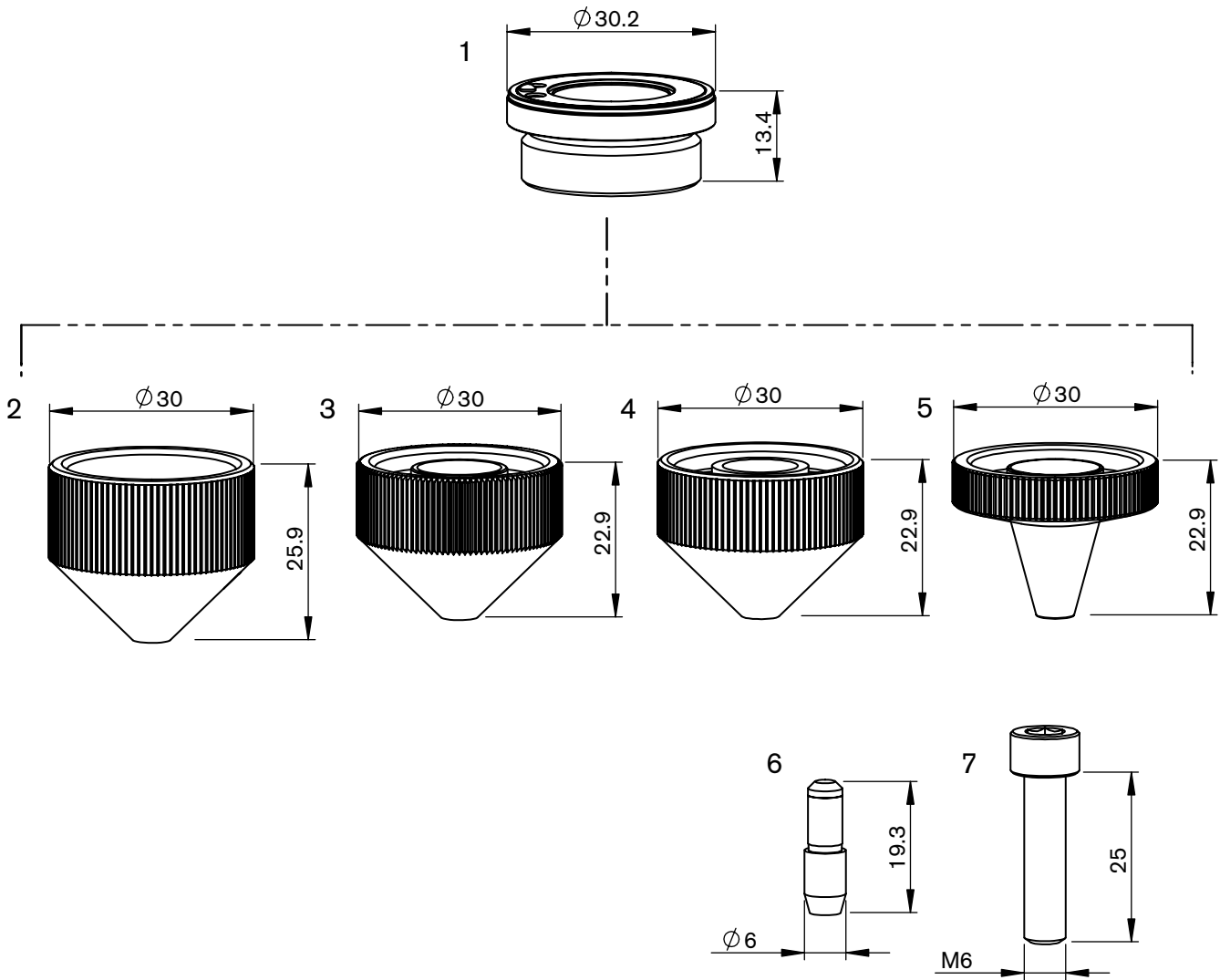
\*Mazak is a trademark of Yamatomo Kosan, K.K. Centricut is in no way directly or indirectly affiliated with Yamatomo Kosan, K.K. All parts are made by or for Centricut and are compatible with listed Mazak product. Centricut is a registered trademark of Hypertherm, Inc.



**Consumables**

	Esse A part number	Centricut part number	Reference number	Description	Pkg qty
1	AL460	MB327-0311	BQ980D311G02, LX54300, LCF9400, 339661	MB-Nozzle holder, EX insulation	1
2	L1620	MB327-1620	BQ983D150-H01, LX53100, LT09800, 254232	MB-Nozzle w/o-ring, 1.0 mm	1
	L1633	MB327-1633	BQ983D314-H01, LX69900, W1660-NC	MB-Nozzle w/o-ring, 1.4 mm	1
3	L1621	MB327-1621	BQ983D151-H01, LX53200, LT09900, 254233	MB-Nozzle w/o-ring, 1.2 mm	1
4	L1622	MB327-1622	BQ983D152-H01, LT10000, 254234	MB-Nozzle w/o-ring, 1.7 mm	1
5	L1623	MB327-1623	BQ983D153-H01, W1628-NC	MB-Nozzle w/o-ring, 1.5 mm	1
	L1624	MB327-1624	BQ983D153-H02, W1629-NC	MB-Nozzle w/o-ring, 2.0 mm	1
	L1625	MB327-1625	BQ983D314-H03, LX53500, BQ983D153-H03, LT10100, 254285	MB-Nozzle w/o-ring, 2.5 mm	1
	L1626	MB327-1626	BQ983D151-H04, BQ983D153-H04, LT10200, 268802	MB-Nozzle w/o-ring, 3.0 mm	1
	L1627	MB327-1627	BQ983D152-H05, BQ983D153-H05, LT10300, 268803	MB-Nozzle w/o-ring, 3.5 mm	1
6	AL467	MB327-0328	BQ980D328G01, LT10700, 245327	MB-Nozzle EX outer for single MB-nozzle	1

\*Mitsubishi is a trademark of Mitsubishi Electric Corporation. Centricut is in no way directly or indirectly affiliated with Mitsubishi Electric Corporation. All parts are made by or for Centricut and are compatible with listed Mitsubishi product. Centricut is a registered trademark of Hypertherm, Inc.



**Consumables**

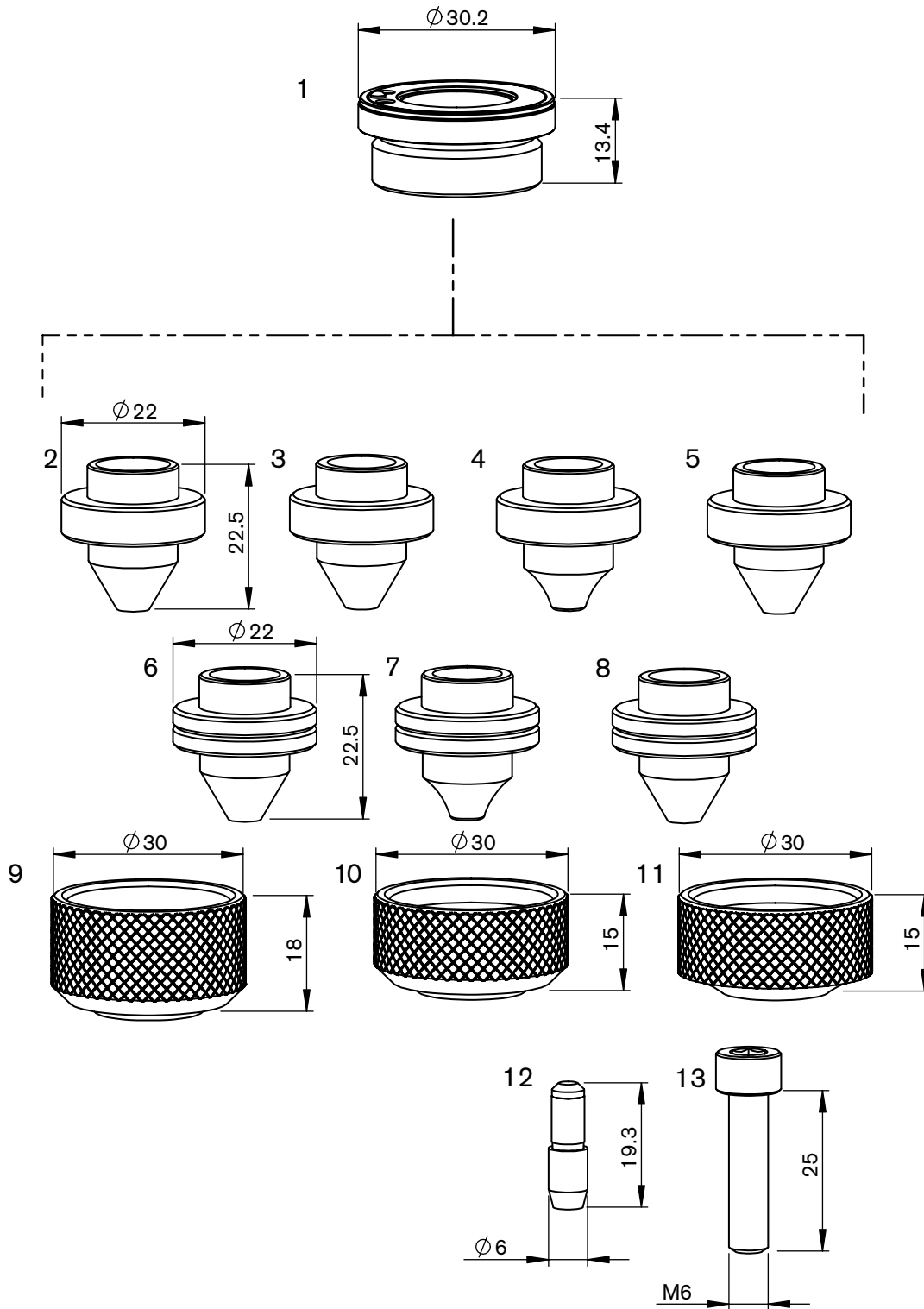
	Esse A part number	Centricut part number	Reference number	Description	Pkg qty
1	AL267	MB334-0001	P0594-860-00001, PHX-INS	MB-Nozzle holder	1
	AL30388	MB334-W290X (not shown)	W290, 71800107	MB-O-ring (10 pk)*	10
2	L399	MB334-1250	W1250	MB-Nozzle, 1.5 mm	1

\*Mitsubishi is a trademark of Mitsubishi Electric Corporation. Centricut is in no way directly or indirectly affiliated with Mitsubishi Electric Corporation. All parts are made by or for Centricut and are compatible with listed Mitsubishi product. Centricut is a registered trademark of Hypertherm, Inc.

## Consumables

	Esse A part number	Centricut part number	Reference number	Description	Pkg qty
3	L910	MB334-1626	W1626, W1626C	MB-Nozzle, 1.0 mm	1
	L911	MB334-1627	W1627, W1627C	MB-Nozzle, 1.2 mm	1
	L908	MB334-1625	W1660	MB-Nozzle, 1.4 mm	1
	L912	MB334-1628	W1628	MB-Nozzle, 1.5 mm	1
	L918	MB334-1661	W1661	MB-Nozzle, 1.7 mm	1
	L913	MB334-1629	W1629	MB-Nozzle, 2.0 mm	1
	L914	MB334-1630	W1630	MB-Nozzle, 2.5 mm	1
	L915	MB334-1664	W1664	MB-Nozzle, 3.0 mm	1
	L916	MB334-1665	W1665	MB-Nozzle, 3.5 mm	1
	L917	MB334-1666	W1666	MB-Nozzle, 4.0 mm	1
4	L919	MB334-1663	W1663	MB-Nozzle, 5.0 mm	1
	L1078	MB334-1626B	W1626B	MB-Nozzle low pressure, 1.0 mm	1
	L1079	MB334-1627B	W1627B	MB-Nozzle low pressure, 1.2 mm	1
	L1081	MB334-1629B	W1629B	MB-Nozzle low pressure, 2.0 mm	1
5	L1084	MB334-1665B	W1665B	MB-Nozzle low pressure, 3.5 mm	1
	L1716	MB334-1632	NCW1627C	MB-Nozzle narrow cone, 1.2 mm	1
6	L1719	MB334-1634		MB-Nozzle narrow cone, 2.5 mm	1
	AL345	AM416-0009	71800009, P921K000P25, JPZA5-6, LC47400	AM-Safety pin	1
7	AL346	AM416-A005	71800008, L2490A005, LC50700, P903K001P72, LQ36200	AM-Safety screw	1

\* Centricut parts available in single packs. To order single packs, remove the 'X' at the end of the part number (e.g. AM123-4567X would be AM123-4567).  
For Esse A parts available in single packs, remove the '30' after the L in the part number (e.g. L301401X would be L401X).



Consumables

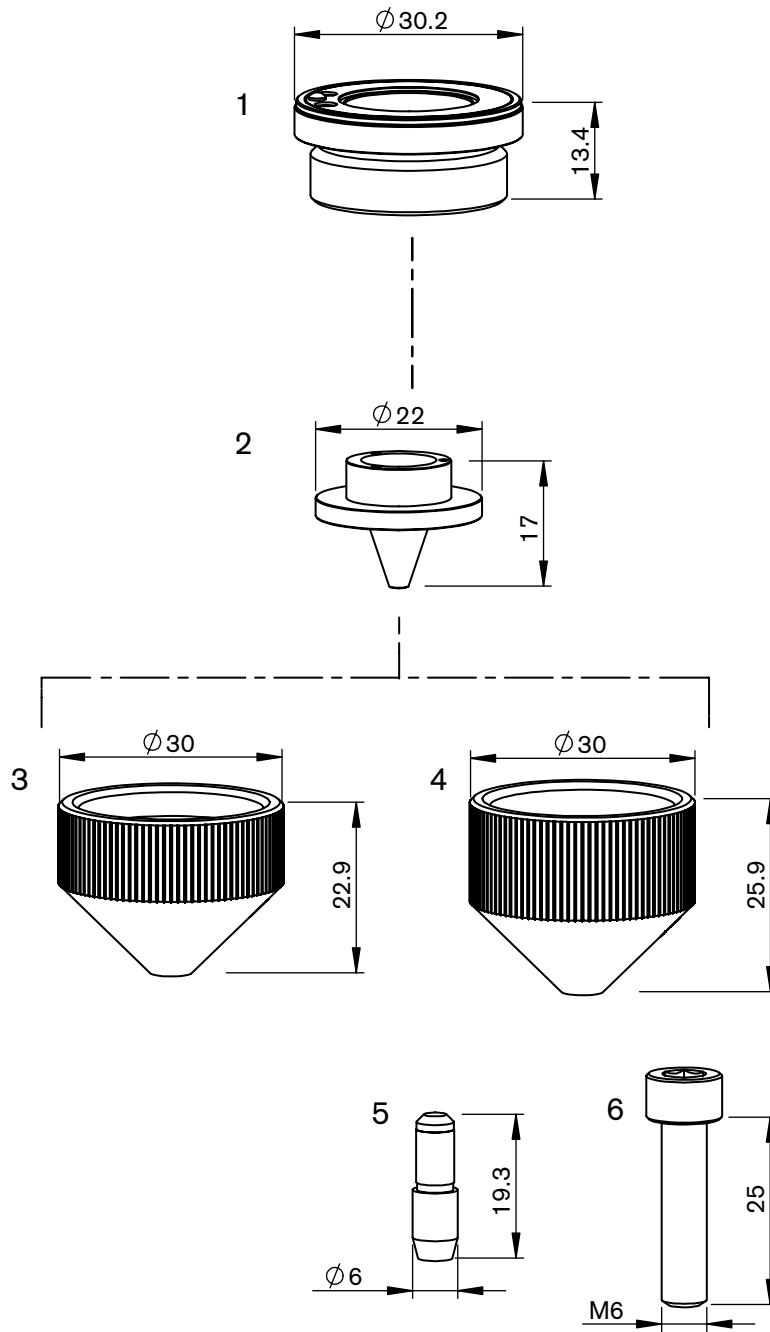
	Esse A part number	Centricut part number	Reference number	Description	Pkg qty
1	AL267	MB334-0001	P0594-860-00001, PHX-INS	MB-Nozzle holder	1
	AL388	MB334-W290 (not shown)	W290, 71800107	MB-O-ring	1

\*Mitsubishi is a trademark of Mitsubishi Electric Corporation. Centricut is in no way directly or indirectly affiliated with Mitsubishi Electric Corporation. All parts are made by or for Centricut and are compatible with listed Mitsubishi product. Centricut is a registered trademark of Hypertherm, Inc.

## Consumables

	Esse A part number	Centricut part number	Reference number	Description	Pkg qty
2	L1131	AM326-0017		AM-Nozzle, 1.7 mm	1
	L1134	AM326-0018	71800018, BQ943D157H01	AM-Nozzle, 1.5 mm	1
	L1135	AM326-0019	71800019, BQ943D157H02	AM-Nozzle, 2.0 mm	1
	L1136	AM326-0020	71800020, BQ943D157H03	AM-Nozzle, 2.5 mm	1
	L1137	AM326-0021	71800021, BQ943D157H04	AM-Nozzle, 3.0 mm	1
	L1138	AM326-0022	71800022, BQ943D596H01	AM-Nozzle, 3.5 mm	1
3	L1125	AM387-0016	71800016, BQ943D897H01, W18Q94389701	AM-Nozzle HV, 1.0 mm	1
	L1128	AM387-1901	W18Q93309101	AM-Nozzle HV, 2.5 mm	1
	L1129	AM387-1902	W18Q93309102	AM-Nozzle HV, 3.0 mm	1
4	L1126	AM387-0001	BQ933D283H01	AM-Nozzle w/radius no groove, 1.0 mm	1
5	L354	MB327-327-1	W777	MB-Nozzle, 1.0 mm	1
	L363	MB327-777	W777-1.2	MB-Nozzle, 1.2 mm	1
	L355	MB327-266	W266	MB-Nozzle, 1.5 mm	1
	L356	MB327-267	W267	MB-Nozzle, 2.0 mm	1
	L357	MB327-776	W776	MB-Nozzle, 2.5 mm	1
	L358	MB327-268	W268	MB-Nozzle, 3.0 mm	1
	L359	MB327-268-3.5	W268-3.5	MB-Nozzle, 3.5 mm	1
6	L966	MB327-0012		MB-Nozzle, 1.2 mm	1
	L967	MB327-0015		MB-Nozzle, 1.5 mm	1
	L964	MB327-0017		MB-Nozzle, 1.7 mm	1
	L969	MB327-0025		MB-Nozzle, 2.5 mm	1
7	L1130	AM387-0017	71800017, BQ943D269H01, W18Q93326901	AM-Nozzle HV w/radius, 1.2 mm	1
8	L1132	AM387-2701	W18Q93302701	AM-Nozzle HV, 1.7 mm	1
9	AL116	MB327-263	W263	MB-Nozzle nut	1
10	AL240	MB327-263S	P0593-865-00001	MB-Nozzle nut short	1
11	AL269	AM367-0269	71800026, BQ933D94H01	AM-Nozzle nut short	1
12	AL345	AM416-0009	71800009, P921K000P25, JPZA5-6, LC47400	AM-Safety pin	1
13	AL346	AM416-A005	71800008, L2490A005, LC50700, P903K001P72, LQ36200	AM-Safety screw	1

\*Mitsubishi is a trademark of Mitsubishi Electric Corporation. Centricut is in no way directly or indirectly affiliated with Mitsubishi Electric Corporation. All parts are made by or for Centricut and are compatible with listed Mitsubishi product. Centricut is a registered trademark of Hypertherm, Inc.



Consumables

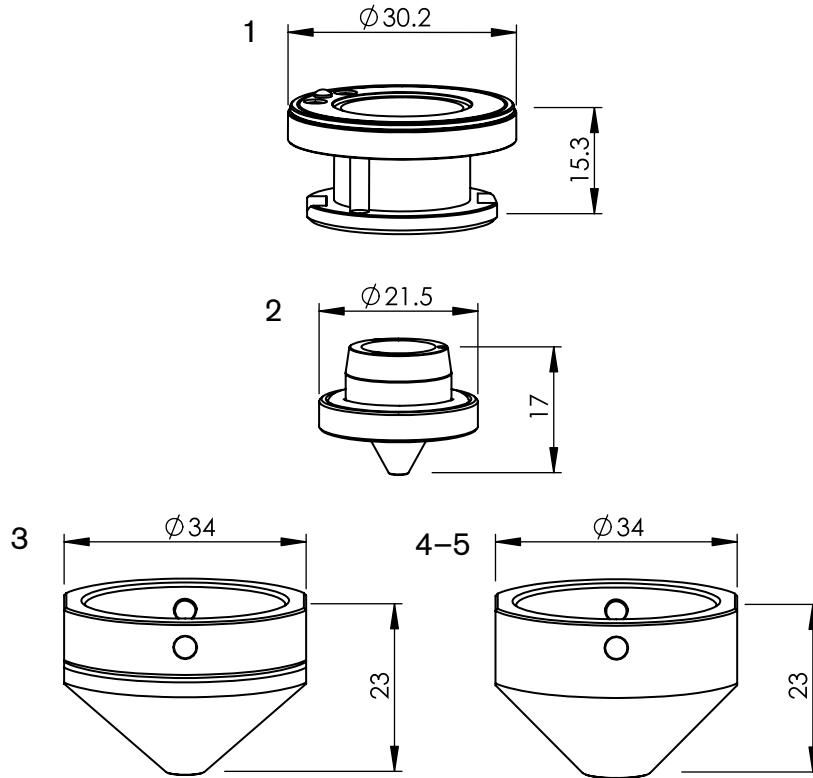
	Esse A part number	Centricut part number	Reference number	Description	Pkg qty
1	AL267	MB334-0001	P0594-860-00001, PHX-INS	MB-Nozzle holder	1
	AL388	MB334-W290 (not shown)	W290, 71800107	MB-O-ring	1

\*Mitsubishi is a trademark of Mitsubishi Electric Corporation. Centricut is in no way directly or indirectly affiliated with Mitsubishi Electric Corporation. All parts are made by or for Centricut and are compatible with listed Mitsubishi product. Centricut is a registered trademark of Hypertherm, Inc.

## Consumables

	Esse A part number	Centricut part number	Reference number	Description	Pkg qty
2	L288	MB316-390	W390	MB-Nozzle inner 4 holes, 1.3 mm	1
	L280	MB316-270	W270	MB-Nozzle inner 8 holes, 1.3 mm	1
	L290	MB316-388	W388	MB-Nozzle inner 16 holes, 1.3 mm	1
	L291	MB316-515	W515	MB-Nozzle inner 24 holes, 1.5 mm	1
	L1121	MB316-1121	L1121	MB-Nozzle inner 3 holes, 1.5 mm	1
	L1127	MB316-1127	L1127	MB-Nozzle inner 4 holes, 1.5 mm	1
	L1117	MB316-1117	L1117	MB-Nozzle inner 6 holes, 1.5 mm	1
	L1119	AM387-0023	71800023, BQ943D156H01, W270-1.5	MB-Nozzle inner 8 holes, 1.5 mm	1
	L1123	AM387-0024	71800024, BQ943D156H01, BQ943D156H03	MB-Nozzle inner 24 holes, 1.5 mm	2
	L1116	MB316-1116	L1116	MB-Nozzle inner 4 holes, 2.0 mm	1
	L1118	MB316-1118	L1118	MB-Nozzle inner 6 holes, 2.0 mm	1
	L1120	AM387-0025	W270.2	MB-Nozzle inner 8 holes, 2.0 mm	1
L1124	AM387-0026	W515.2	MB-Nozzle inner 24 holes, 2.0 mm	1	
3	AL508	MB316-0508		MB-Nozzle outer, 1.2 mm	1
	AL510	MB316-0510		MB-Nozzle outer, 1.5 mm	1
	AL509	MB316-0509		MB-Nozzle outer, 1.7 mm	1
	AL511	MB316-0511		MB-Nozzle outer, 2.0 mm	1
	AL512	MB316-0512		MB-Nozzle outer, 2.5 mm	1
	AL513	MB316-0513		MB-Nozzle outer, 3.0 mm	1
	AL514	MB316-0514		MB-Nozzle outer, 3.5 mm	1
4	AL65	MB316-269	W269	MB-Shield cap	1
5	AL345	AM416-0009	71800009, P921K000P25, JPZA5-6, LC47400	AM-Safety pin	1
6	AL346	AM416-A005	71800008, L2490A005, LC50700, P903K001P72, LQ36200	AM-Safety screw	1

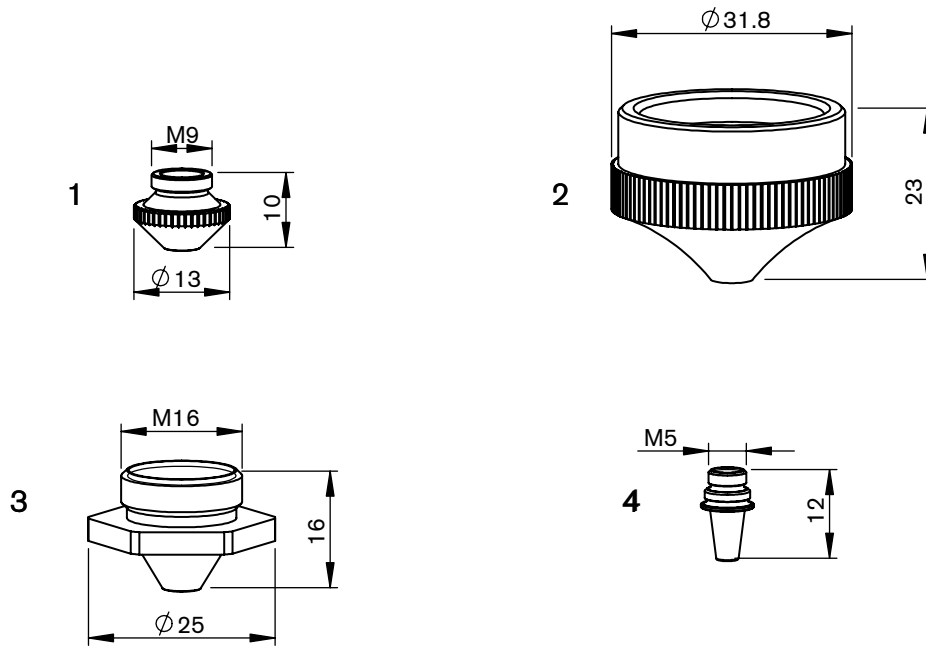
\*Mitsubishi is a trademark of Mitsubishi Electric Corporation. Centricut is in no way directly or indirectly affiliated with Mitsubishi Electric Corporation. All parts are made by or for Centricut and are compatible with listed Mitsubishi product. Centricut is a registered trademark of Hypertherm, Inc.



Consumables

	Esse A part number	Centricut part number	Reference number	Description	Pkg qty
1	AL460	MB327-0311	BQ980D311G02, LX54300, LCF9400	MB-Nozzle holder, EX insulation	1
	L1749	MB327-1749		MB-Nozzle EX inner 3 holes w/o-ring, 1.5 mm	1
	L1753	MB327-1753		MB-Nozzle EX inner 6 holes w/o-ring, 1.5 mm	1
	L1755	MB327-1755	BQ983D206H03, 245329	MB-Nozzle EX inner 8 holes w/o-ring, 1.5 mm	1
	L1757	MB327-1757	BQ983D206H04, 245332	MB-Nozzle EX inner 24 holes w/o-ring, 1.5 mm	1
	L1754	MB327-1754		MB-Nozzle EX inner 6 holes w/o-ring, 2.0 mm	1
	L1756	MB327-1756		MB-Nozzle EX inner 8 holes w/o-ring, 2.0 mm	1
3	AL472	MB327-0472		MB-Nozzle EX outer for material, 1.5 mm	1
	AL473	MB327-0473		MB-Nozzle EX outer for material, 2.0 mm	1
	AL474	MB327-0474		MB-Nozzle EX outer for material, 2.5 mm	1
	AL475	MB327-0475		MB-Nozzle EX outer for material, 3.0 mm	1
	AL476	MB327-0476		MB-Nozzle EX outer for material, 3.5 mm	1
	AL468	MB327-0434	BQ980D434G01	MB-Nozzle EX outer for thick material, 4.0 mm	1
	4	AL469	MB327-4423	BQ980D442G03	MB-Nozzle EX outer, 4.0 mm
5	AL470	MB327-4421	BQ980D442G01	MB-Nozzle EX outer, 7.0 mm	1

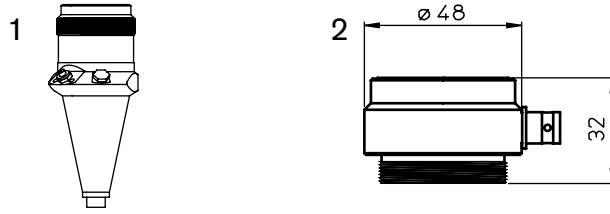
\*Mitsubishi is a trademark of Mitsubishi Electric Corporation. Centricut is in no way directly or indirectly affiliated with Mitsubishi Electric Corporation. All parts are made by or for Centricut and are compatible with listed Mitsubishi product. Centricut is a registered trademark of Hypertherm, Inc.



Consumables

	Esse A part number	Centricut part number	Reference number	Description	Pkg qty
1	L30400	PT344-0013X	280013, P0492-441-00008, W222	PT-Nozzle FP, 0.8 mm (10 pk)	10
	L30401	MB336-223X	280014, P0492-442-00010, W223	MB-Nozzle FP, 1.0 mm (10 pk)	10
	L30402	PT344-0015X	280015, P0492-443-00012, W228	PT-Nozzle FP, 1.2 mm (10 pk)*	10
	L403	PT344-0016		PT-Nozzle FP, 1.5 mm	1
	L30403	MB336-224X	280016, P0492-444-00015, W224	MB-Nozzle FP, 1.5 mm (10 pk)	10
	L544	PT344-0937		PT-Nozzle FP, 2.0 mm	1
2	AL304	AM416-0004		AM-Nozzle outer, 2.5 mm	1
	AL305	AM416-0005		AM-Nozzle outer, 3.0 mm	1
	AL306	AM416-0006		AM-Nozzle outer, 4.0 mm	1
3	L549	MB330-001	W001-A	MB-Nozzle, 1.5 mm	1
	L550	MB330-002	W002-A	MB-Nozzle, 2.0 mm	1
4	L1710	MB336-0018	BKO-NB8358H03, BQ949D117, P0352-377-00018	MB-Nozzle DE M1.5" 1.8H, 1.8 mm	1

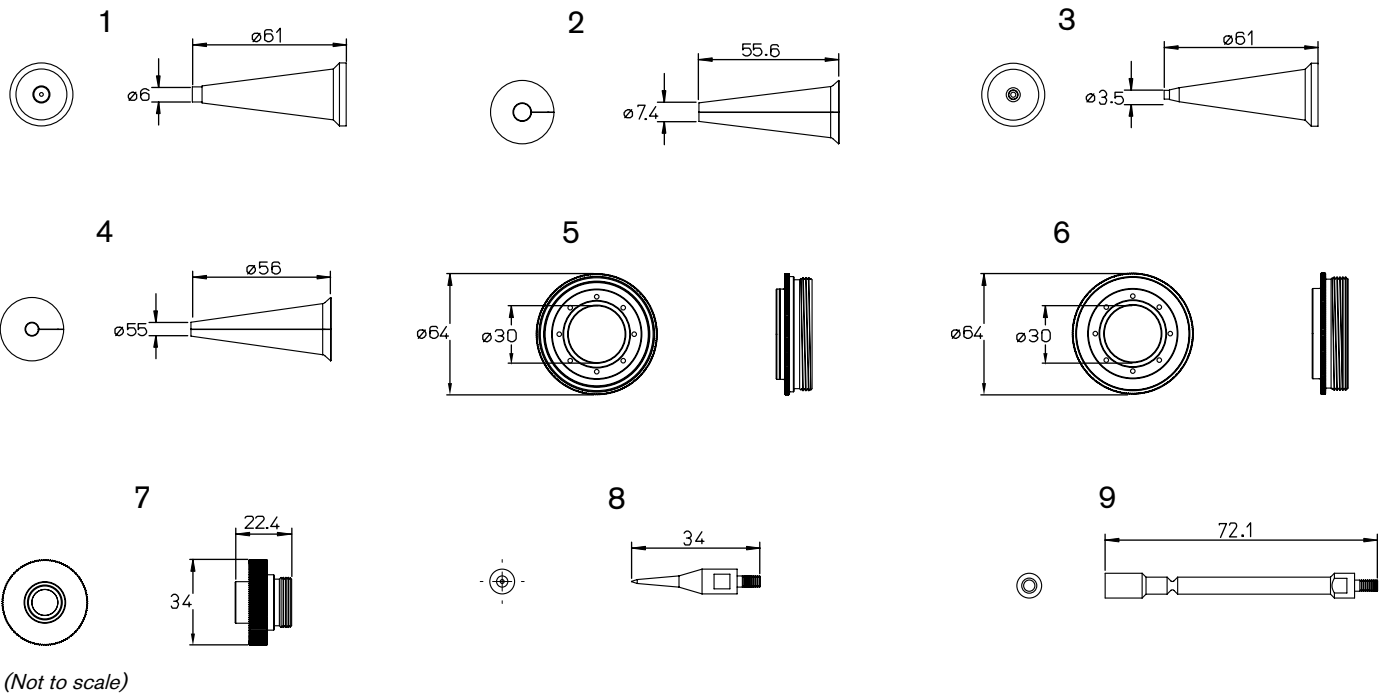
\* Centricut parts available in single packs. To order single packs, remove the 'X' at the end of the part number (e.g. AM123-4567X would be AM123-4567).  
For Esse A parts available in single packs. To order single packs, remove the '30' after the L in the part number (e.g. L301401X would be L401X).



**Consumables**

	Esse A part number	Centricut part number	Reference number	Description	Pkg qty
<b>Sensor cones</b>					
1	AL607	PT347-0011	P0354-140-00002	PT-Sensor cone HNZ (Mitsubishi)	1
2	AL604	MB334-W429A	W429A	MB-Sensor cone W429A	1

\*Mitsubishi is a trademark of Mitsubishi Electric Corporation. Centricut is in no way directly or indirectly affiliated with Mitsubishi Electric Corporation. All parts are made by or for Centricut and are compatible with listed Mitsubishi product. Centricut is a registered trademark of Hypertherm, Inc.

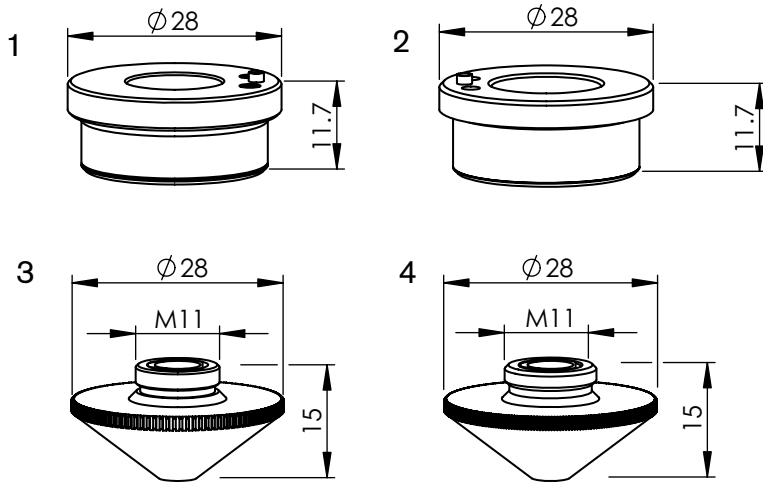


## Consumables

	Esse A part number	Centricut part number	Reference number	Description	Pkg qty
1		NT426-0515	4R018705-001	NT-Nozzle, 1.5 mm (standard), ceramic	1
		NT426-0520	4R018705-002	NT-Nozzle, 2.0 mm (standard), ceramic	1
2		NT426-3962	4R003962-001	NT-Nozzle cap, standard	1
3		NT426-6515	4R008865-002	NT-Nozzle, 1.5 mm (small), ceramic	1
		NT426-6520	4R008865-001	NT-Nozzle, 2.0 mm (small), ceramic	1
4		NT426-8866	4R008866-001	NT- Nozzle cap, small	1
5		NT426-8415	4R018452-001	NT-Flange (new style) 0.15"	1
		NT426-8430	4R018452-002	NT-Flange (new style) 0.30"	1
		NT426-8450	4R032035-001	NT-Flange (new style) 0.50"	1
6		NT426-9711	4R019711-001	NT-Flange (old style) 0.10"	1
		NT426-4446	4R004446-001	NT-Flange (old style) 0.15"	1
		NT426-6511	4R006511-001	NT-Flange (old style) 0.30"	1
		NT426-0487 (not shown)	4R010487-001	NT-Flange (2D) 0.50"	1
		NT426-2632 (not shown)	3R002632-G03	NT-Nozzle holder (old style), ceramic	1
		NT426-6928 (not shown)	3R016928-G01	NT-Nozzle holder (new style), ceramic	1
7		NT426-7758	4R037758-001	NT-Nozzle base	1
		NT426-0001 (not shown)	N-G O-RINGS	NT-O-Rings for nozzle holder	1
		NT426-3765 (not shown)	4R003765-001	NT-Nozzle nut	1
8		NT426-3540	4R003540-001	NT-Stylus	1
9		NT426-2720	4R012720-001	NT-Stylus adapter	1
	AL624	NT426-1682 (not shown)	4R029911-001	NT-Sensor cable, 216 mm (8.5")	1
	AL627	NT426-8677 (not shown)	4R028677-001	NT-Sensor cable, 508 mm (20") armored	1
	AL625	NT426-4991 (not shown)	3-0104991	NT-Sensor cable, 0-0BNC/MCX, 482 mm (19")	1
	AL626	NT426-7492 (not shown)	3-0117492	NT-Sensor cable, 90BNC/90BNC, 482 mm (19")	1

(Continued on next page)

\*NTC-Beyeler is a trademark of KOMATSU NTC LTD. Centricut is in no way directly or indirectly affiliated with KOMATSU NTC LTD. All parts are made by or for Centricut and are compatible with listed NTC-Beyeler product. Centricut is a registered trademark of Hypertherm, Inc.



### Consumables

	Esse A part number	Centricut part number	Reference number	Description	Pkg qty
1	AL495	PT348-1052 <b>Recommended</b>	P0571-1051-00001, 6930281333, 055456	PT-Nozzle holder KT B2" Con	1
	AL380	PT348-1053	P0571-1051-00001, 6930281333, 055456	PT-Nozzle holder KT B2 Con	1
	AL355	PT348-1051 <b>OEM original</b>	P0571-1051-00001, 6930281333, 055456	PT-Nozzle holder KT B2" Con	1
2	AL131	PT348-1330 <b>Recommended</b>	281330, P0571-260-00001, 6930281330	PT-Nozzle holder KT B2	1
	AL421	PT348-0260	281330, P0571-260-00001, 6930281330	PT-Nozzle holder KT B2	1
	AL23	PT348-1330OEM <b>OEM original</b>	281330, P0571-260-00001, 6930281330	PT-Nozzle holder KT B2	1
3	L30660	PT358-0010X	P40-008038-001, P0591-002-00010	PT-Nozzle double, 1.0 mm/inner 1.5 mm (10 pk)*	10
	L30661-12	PT358-0112X		PT-Nozzle double, 1.2 mm/inner 1.2 mm (10 pk)*	10
	L30661	PT358-0125X	P0591-002-00012, P40-008038-002	PT-Nozzle double, 1.2 mm/inner 1.5 mm (10 pk)*	10
	L30672	PT358-0124X		PT-Nozzle double, 1.4 mm/inner 1.5 mm (10 pk)*	10
	L30662	PT358-0015X	P40-008038-003, P0591-002-00015	PT-Nozzle double, 1.5 mm/inner 1.5 mm (10 pk)*	10
	L30663	PT358-0018X	P40-008038-004, P0591-002-00018	PT-Nozzle double, 1.8 mm/inner 1.5 mm (10 pk)*	10
	L30664	PT358-0020X	P0591-002-00020, P40-008038-005	PT-Nozzle double, 2.0 mm/inner 1.5 mm (10 pk)*	10
	L664-18	PT358-0418		PT-Nozzle double, 2.0 mm/inner 1.8 mm	1
	L30664-20	PT358-0420X		PT-Nozzle double, 2.0 mm Inner 2.0 mm (10 pk)	10
	L30666-20	PT358-0620X		PT-Nozzle double, 2.5 mm/inner 2.0 mm (10 pk)*	10
	L30667-20	PT358-0720X		PT-Nozzle double, 3.0 mm/inner 2.0 mm (10 pk)*	10
	L30665	PT358-0023X	P0591-002-00023, P40-008038-006	PT-Nozzle double, 2.3 mm/inner 1.5 mm (10 pk)*	10
	L30666	PT358-0007X	P40-008038-007, P0591-002-00025	PT-Nozzle double, 2.5 mm/inner 1.5 mm (10 pk)*	10
	L30667	PT358-0030X	P40-008038-008, P0591-002-00030, 29100382	PT-Nozzle double, 3.0 mm/inner 1.5 mm (10 pk)*	10
	L30668	PT358-0035X	P40-008038-009, P0591-002-00035, 29100384	PT-Nozzle double, 3.5 mm/inner 1.5 mm (10 pk)*	10
	L30660X	PT358-0010CPX		PT-Nozzle double, 1.0 mm/inner 1.5 mm CP (10 pk)*	10
	L30661X	PT358-0125CPX		PT-Nozzle double, 1.2 mm/inner 1.5 mm CP (10 pk)*	10
	L30672X	PT358-0124CPX		PT-Nozzle double, 1.4 mm/inner 1.5 mm CP (10 pk)*	10
	L30662X	PT358-0015CPX		PT-Nozzle double, 1.5 mm/inner 1.5 mm CP (10 pk)*	10
	L30663X	PT358-0018CPX		PT-Nozzle double, 1.8 mm/inner 1.5 mm CP (10 pk)*	10
	L30664X	PT358-0020CPX		PT-Nozzle double, 2.0 mm/inner 1.5 mm	10
	L30666X	PT358-0025CPX		PT-Nozzle double, 2.5 mm/inner 1.5 mm CP (10 pk)*	10
	L30667X	PT358-0030CPX		PT-Nozzle double, 3.0 mm/inner 1.5 mm CP (10 pk)*	10
	L30668X	PT358-0035CPX		PT-Nozzle double, 3.5 mm/inner 1.5 mm CP (10 pk)*	10
	L30840	PT358-0040X	P0591-002-00040, P40-008038-010	PT-Nozzle double, 4.0 mm/inner 1.5 mm (10 pk)*	10
	L840X	PT358-0040CP		PT-Nozzle double, 4.0 mm/inner 1.5 mm CP	10
L30841	PT358-0045X	P40-008038-011	PT-Nozzle double, 4.5 mm/inner 1.5 mm (10 pk)*	10	
L30841X	PT358-0045CPX		PT-Nozzle double, 4.5 mm/inner 1.5 mm CP (10 pk)*	10	

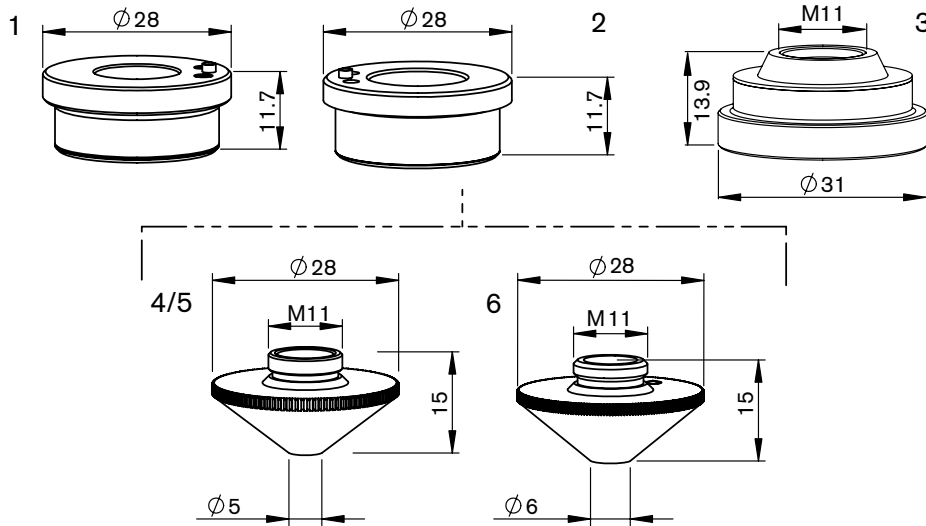
(Continued on next page)

\*Penta is a trademark of Penta Laser Co., Ltd. Centricut is in no way directly or indirectly affiliated with Penta Laser Co., Ltd. All parts are made by or for Centricut and are compatible with listed Penta product. Centricut is a registered trademark of Hypertherm, Inc.

## Consumables

	Esse A part number	Centricut part number	Reference number	Description	Pkg qty
3	L30861	PT358-0050X	P0591-002-00050, P40-008038-012	PT-Nozzle double, 5.0 mm/inner 1.5 mm (10 pk)*	10
	L861X	PT358-0050CP		PT-Nozzle double, 5.0 mm/inner 1.5 mm	1
	L1925	PT358-1925		PT-Nozzle double Penta, 1.0 mm	1
	L1926	PT358-1926		PT-Nozzle double Penta, 1.2 mm	1
	L1927	PT358-1927		PT-Nozzle double Penta, 1.5 mm	1
	L1928	PT358-1928		PT-Nozzle double Penta, 2.0 mm	1
	L1929	PT358-1929		PT-Nozzle double Penta, 2.5 mm	1
	L1930	PT358-1930		PT-Nozzle double Penta, 3.0 mm	1
	L1931	PT358-1931		PT-Nozzle double Penta, 3.5 mm	1
	L1932	PT358-1932		PT-Nozzle double Penta, 4.0 mm	1
	L1933	PT358-1933		PT-Nozzle double Penta, 4.5 mm	1
4	L1960	PT358-1960	080800219;10.03.11.05.083	PE-Nozzle Penta, 3.5 mm BC	1
	L1963	PT358-1963	080800220;10.03.11.05.084	PE-Nozzle Penta, 5.0 mm BC	1
	L1964	PT358-1964	080800218;10.03.11.09.032	PE-Nozzle Penta, 6.0 mm BC	1

\* Centricut parts available in single packs. To order single packs, remove the 'X' at the end of the part number (e.g. AM123-4567X would be AM123-4567).  
For Esse A parts available in single packs. To order single packs, remove the '30' after the L in the part number (e.g. L301401X would be L401X).


**Consumables**

	Esse A part number	Centricut part number	Reference number	Description	Pkg qty
1	AL495	PT348-1052 <b>Recommended</b>	P0571-1051-00001, 6930281333, 055456	PT-Nozzle holder KT B2" Con	1
	AL380	PT348-1053	P0571-1051-00001, 6930281333, 055456	PT-Nozzle holder KT B2 Con	1
	AL355	PT348-1051 <b>OEM original</b>	P0571-1051-00001, 6930281333, 055456	PT-Nozzle holder KT B2" Con	1
2	AL131	PT348-1330 <b>Recommended</b>		PT-Nozzle holder KT B2	1
	AL421	PT348-0260	281330, P0571-260-00001, 6930281330	PT-Nozzle holder KT B2	1
	AL23	PT348-1330OEM <b>OEM original</b>	281330, P0571-260-00001, 6930281330	PT-Nozzle holder KT B2	1
3	L30935	PT345-0008X	P0591-673-00008	PT-Nozzle HD, 0.8 mm (10 pk)*	10
	L30234	PT345-1548X	281548, P0591-571-00010	PT-Nozzle HD, 1.0 mm (10 pk)*	10
	L30235	PT345-1549X	281549, P0591-572-00012	PT-Nozzle HD, 1.2 mm (10 pk)*	10
	L30824	PT345-1555X		PT-Nozzle HD, 1.4 mm (10 pk)*	10
	L30236	PT345-1463X	281463, P0591-573-00015, MX-0862	PT-Nozzle HD, 1.5 mm (10 pk)*	10
	L30237	PT345-0001X	P0591-574-00018, MX-0863	PT-Nozzle HD, 1.8 mm (10 pk)*	10
	L30238	PT345-1550X	281550, P0591-575-00020, MX-0864	PT-Nozzle HD, 2.0 mm (10 pk)*	10
	L30239	PT345-0003X	P0591-574-00023, 29100238, P40-003805-006	PT-Nozzle HD, 2.3 mm (10 pk)*	10
	L30240	PT345-1551X	281551, P0591-576-00025, MX-0865	PT-Nozzle HD, 2.5 mm (10 pk)*	10
	L30936	PT345-1552X	281552, P40-003805-008	PT-Nozzle HD, 2.75 mm (10 pk)*	10
	L30241	PT345-0002X	P0591-577-00030, MX-0866	PT-Nozzle HD, 3.0 mm (10 pk)*	10
	L30827	PT345-0006X	29100243, P40-003805-011	PT-Nozzle HD, 3.5 mm (10 pk)*	10
	L30828	PT345-0004X	P40-003805-012, P0591-578-00040	PT-Nozzle HD, 4.0 mm (10 pk)*	10
	L30829	PT345-0007X		PT-Nozzle HD, 4.5 mm (10 pk)*	10
	L30234X	PT345-1548CPX		PT-Nozzle HD, 1.0 mm CP (10 pk)*	10
	L30235X	PT345-1549CPX		PT-Nozzle HD, 1.2 mm CP (10 pk)*	10
	L30824X	PT345-1555CPX		PT-Nozzle HD, 1.4 mm CP (10 pk)*	10
	L30236X	PT345-1463CPX		PT-Nozzle HD, 1.5 mm CP (10 pk)*	10
	L30237X	PT345-0001CPX		PT-Nozzle HD, 1.8 mm CP (10 pk)*	10
	L30238X	PT345-1550CPX		PT-Nozzle HD, 2.0 mm CP (10 pk)*	10
	L30240X	PT345-1551CPX		PT-Nozzle HD, 2.5 mm CP (10 pk)*	10
L30241X	PT345-0002CPX		PT-Nozzle HD, 3.0 mm CP (10 pk)*	10	
L30828X	PT345-0004CPX		PT-Nozzle HD, 4.0 mm CP (10 pk)*	10	

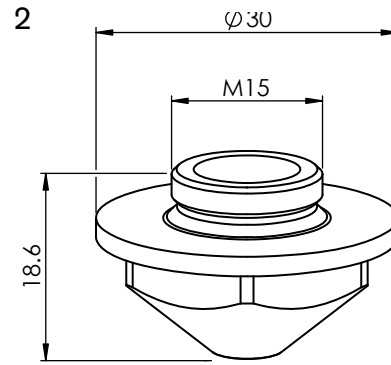
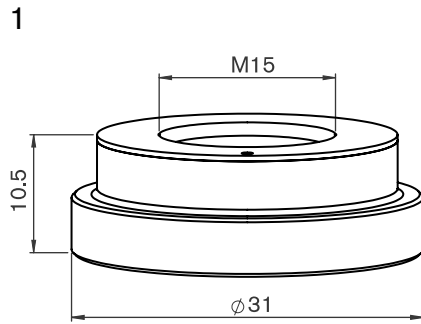
(Continued on next page)

\*Penta is a trademark of Penta Laser Co., Ltd. Centricut is in no way directly or indirectly affiliated with Penta Laser Co., Ltd. All parts are made by or for Centricut and are compatible with listed Penta product. Centricut is a registered trademark of Hypertherm, Inc.

## Consumables

	Esse A part number	Centricut part number	Reference number	Description	Pkg qty
4	L1701	PT345-0050	6283300050	PT-Nozzle double, 1.5 mm	1
	L1702	PT345-0060	6283300060	PT-Nozzle double, 2.0 mm	1
	L1703	PT345-0070	6283300070	PT-Nozzle double, 2.5 mm	1
	L1704	PT345-0080	6283300080	PT-Nozzle double, 3.0 mm	1
	L1705	PT345-0090	6283300090	PT-Nozzle double, 3.5 mm	1
	L1706	PT345-0100	6283300100	PT-Nozzle double, 4.0 mm	1
	L1707	PT345-0110	6283300110	PT-Nozzle double, 4.5 mm	1
5	L301936	PT345-1936X		PT-Nozzle large head HD, 4.0 mm (10 pk)*	10
	L301937	PT345-1937X	29100373	PT-Nozzle large head HD, 4.5 mm (10 pk)*	10
	L30830	PT345-0830X	29100374, P0591-579-00050	PT-Nozzle large head HD, 5.0 mm (10 pk)*	10

\* Centricut parts available in single packs. To order single packs, remove the 'X' at the end of the part number (e.g. AM123-4567X would be AM123-4567).  
For Esse A parts available in single packs. To order single packs, remove the '30' after the L in the part number (e.g. L301401X would be L401X).



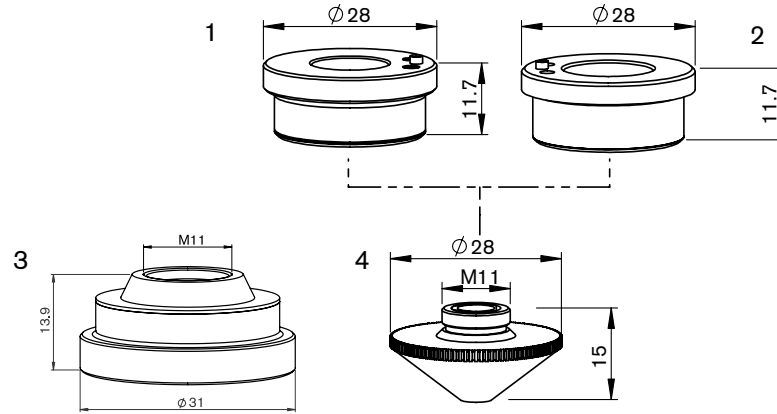
**Consumables**

	Esse A part number	Centricut part number	Reference number	Description	Pkg qty
1	AL565	PT400-2036	P0595-92036	PT-Nozzle holder KTX	1
	L307110	PT400-4263X	P0595-94263	PT-Nozzle, KTX 1.0 mm 10pack	10
	L307112	PT400-2688X	P0595-92688	PT-Nozzle, KTX 1.2 mm 10pack	10
	L307115	PT400-2733X	P0595-92733	PT-Nozzle, KTX 1.5 mm 10pack	10
	L307117	PT400-2734X	P0595-92734	PT-Nozzle, KTX 1.7 mm 10pack	10
	L307120	PT400-2735X	P0595-92735	PT-Nozzle, KTX 2.0 mm 10pack	10
	L307125	PT400-2736X	P0595-92736	PT-Nozzle, KTX 2.5 mm 10pack	10
	L307130	PT400-2737X	P0595-92737	PT-Nozzle, KTX 3.0 mm 10pack	10
	L307135	PT400-2738X	P0595-92738	PT-Nozzle, KTX 3.5 mm 10pack	10
	L307140	PT400-2739X	P0595-92739	PT-Nozzle, KTX 4.0 mm 10pack	10
	L307150	PT400-2741X	P0595-92741	PT-Nozzle, KTX 5.0 mm 10pack	10
	L307208	PT400-2868X	P0595-92868	PT-Nozzle double, KTX 0.8 mm 10pack	10
2	L307210	PT400-2871X	P0595-92871	PT-Nozzle double, KTX 1.0 mm 10pack	10
	L307212	PT400-2879X	P0595-92879	PT-Nozzle double, KTX 1.2 mm 10pack	10
	L307214	PT400-2881X	P0595-92881	PT-Nozzle double, KTX 1.4 mm 10pack	10
	L307215	PT400-2883X	P0595-92883	PT-Nozzle double, KTX 1.5 mm 10pack	10
	L307218	PT400-2886X	P0595-92886	PT-Nozzle double, KTX 1.8 mm 10pack	10
	L307220	PT400-2901X	P0595-92901	PT-Nozzle double, KTX 2.0 mm 10pack	10
	L307223	PT400-2904X	P0595-92904	PT-Nozzle double, KTX 2.3 mm 10pack	10
	L307225	PT400-2906X	P0595-92906	PT-Nozzle double, KTX 2.5 mm 10pack	10
	L307230	PT400-2909X	P0595-92909	PT-Nozzle double, KTX 3.0 mm 10pack	10
	L307235	PT400-2911X	P0595-92911	PT-Nozzle double, KTX 3.5 mm 10pack	10
	L307240	PT400-2913X	P0595-92913	PT-Nozzle double, KTX 4.0 mm 10pack	10
	L307245	PT400-2915X	P0595-92915	PT-Nozzle double, KTX 4.5 mm 10pack	10
	L307250	PT400-2917X	P0595-92917	PT-Nozzle double, KTX 5.0 mm 10pack	10

\*Precitec is a trademark of Precitec GmbH & Co. KG. Centricut is in no way directly or indirectly affiliated with Precitec GmbH & Co. KG. All parts are made by or for Centricut and are compatible with listed Precitec product. Centricut is a registered trademark of Hypertherm, Inc.

# Replacement parts suitable for: Precitec®\*

For Adige, Durma, Ermaksan, Finn Power, GHT and Salvagnini systems

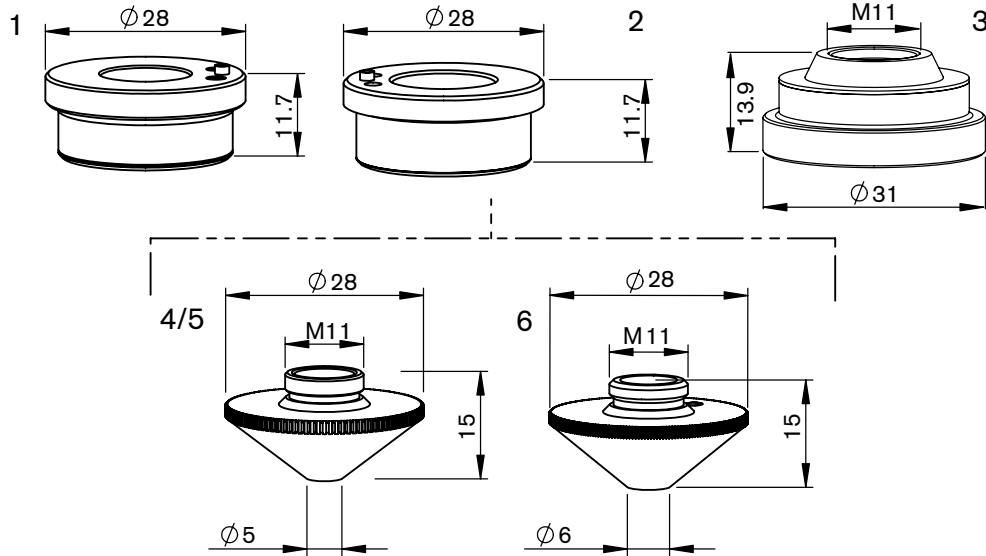


## Consumables

	Esse A part number	Centricut part number	Reference number	Description	Pkg qty
1	AL495	PT348-1052 <b>Recommended</b>	P0571-1051-00001, 6930281333, 055456	PT-Nozzle holder KT B2" Con	1
	AL380	PT348-1053	P0571-1051-00001, 6930281333, 055456	PT-Nozzle holder KT B2 Con	1
	AL355	PT348-1051 <b>OEM original</b>	P0571-1051-00001, 6930281333, 055456	PT-Nozzle holder KT B2" Con	1
2	AL131	PT348-1330 <b>Recommended</b>	281330, P0571-260-00001, 6930281330	PT-Nozzle holder KT B2	1
	AL421	PT348-0260	281330, P0571-260-00001, 6930281330	PT-Nozzle holder KT B2	1
	AL23	PT348-1330 <b>OEM</b> <b>OEM original</b>	281330, P0571-260-00001, 6930281330	PT-Nozzle holder KT B2	1
3	AL566	PT400-4097	P0595-94097	PT-Nozzle holder KT XB	1
4	L30660	PT358-0010X	P40-008038-001, P0591-002-00010	PT-Nozzle double, 1.0 mm/inner 1.5 mm (10 pk)*	10
	L30661-12	PT358-0112X		PT-Nozzle double, 1.2 mm/inner 1.2 mm (10 pk)*	10
	L30661	PT358-0125X	P0591-002-00012, P40-008038-002	PT-Nozzle double, 1.2 mm/inner 1.5 mm (10 pk)*	10
	L30672	PT358-0124X		PT-Nozzle double, 1.4 mm/inner 1.5 mm (10 pk)*	10
	L30662	PT358-0015X	P40-008038-003, P0591-002-00015	PT-Nozzle double, 1.5 mm/inner 1.5 mm (10 pk)*	10
	L30663	PT358-0018X	P40-008038-004, P0591-002-00018	PT-Nozzle double, 1.8 mm/inner 1.5 mm (10 pk)*	10
	L30971	PT358-0011X		PT-Nozzle double, 1.6 mm/inner 1.5 mm (10 pk)	10
	L30664	PT358-0020X	P0591-002-00020, P40-008038-005	PT-Nozzle double, 2.0 mm/inner 1.5 mm (10 pk)*	10
	L664-18	PT358-0418		PT-Nozzle double, 2.0 mm/inner 1.8 mm	1
	L30664-20	PT358-0420X		PT-Nozzle double, 2.0 mm Inner 2.0 mm (10 pk)	10
	L30666-20	PT358-0620X		PT-Nozzle double, 2.5 mm/inner 2.0 mm (10 pk)*	10
	L30667-20	PT358-0720X		PT-Nozzle double, 3.0 mm/inner 2.0 mm (10 pk)*	10
	L30665	PT358-0023X	P0591-002-00023, P40-008038-006	PT-Nozzle double, 2.3 mm/inner 1.5 mm (10 pk)*	10
	L30666	PT358-0007X	P40-008038-007, P0591-002-00025	PT-Nozzle double, 2.5 mm/inner 1.5 mm (10 pk)*	10
	L30667	PT358-0030X	P40-008038-008, P0591-002-00030, 29100382	PT-Nozzle double, 3.0 mm/inner 1.5 mm (10 pk)*	10
	L30668	PT358-0035X	P40-008038-009, P0591-002-00035, 29100384	PT-Nozzle double, 3.5 mm/inner 1.5 mm (10 pk)*	10
	L30660X	PT358-0010CPX		PT-Nozzle double, 1.0 mm/inner 1.5 mm CP (10 pk)*	10
	L30661X	PT358-0125CPX		PT-Nozzle double, 1.2 mm/inner 1.5 mm CP (10 pk)*	10
	L30672X	PT358-0124CPX		PT-Nozzle double, 1.4 mm/inner 1.5 mm CP (10 pk)*	10
	L30662X	PT358-0015CPX		PT-Nozzle double, 1.5 mm/inner 1.5 mm CP (10 pk)*	10
	L30663X	PT358-0018CPX		PT-Nozzle double, 1.8 mm/inner 1.5 mm CP (10 pk)*	10
	L30664X	PT358-0020CPX		PT-Nozzle double, 2.0 mm/inner 1.5 mm	10
	L30666X	PT358-0025CPX		PT-Nozzle double, 2.5 mm/inner 1.5 mm CP (10 pk)*	10
	L30667X	PT358-0030CPX		PT-Nozzle double, 3.0 mm/inner 1.5 mm CP (10 pk)*	10
	L30668X	PT358-0035CPX		PT-Nozzle double, 3.5 mm/inner 1.5 mm CP (10 pk)*	10
	L30840	PT358-0040X	P0591-002-00040, P40-008038-010	PT-Nozzle double, 4.0 mm/inner 1.5 mm (10 pk)*	10
	L840X	PT358-0040CP		PT-Nozzle double, 4.0 mm/inner 1.5 mm CP	10
	L30841	PT358-0045X	P40-008038-011	PT-Nozzle double, 4.5 mm/inner 1.5 mm (10 pk)*	10
	L30841X	PT358-0045CPX		PT-Nozzle double, 4.5 mm/inner 1.5 mm CP (10 pk)*	10
	L30861	PT358-0050X	P0591-002-00050, P40-008038-012	PT-Nozzle double, 5.0 mm/inner 1.5 mm (10 pk)*	10
	L861X	PT358-0050CP		PT-Nozzle double, 5.0 mm/inner 1.5 mm	1
	L1925	PT358-1925		PT-Nozzle double Penta, 1.0 mm	1
	L1926	PT358-1926		PT-Nozzle double Penta, 1.2 mm	1
L1927	PT358-1927		PT-Nozzle double Penta, 1.5 mm	1	
L1928	PT358-1928		PT-Nozzle double Penta, 2.0 mm	1	
L1929	PT358-1929		PT-Nozzle double Penta, 2.5 mm	1	
L1930	PT358-1930		PT-Nozzle double Penta, 3.0 mm	1	
L1931	PT358-1931		PT-Nozzle double Penta, 3.5 mm	1	
L1932	PT358-1932		PT-Nozzle double Penta, 4.0 mm	1	
L1933	PT358-1933		PT-Nozzle double Penta, 4.5 mm	1	

\* Centricut parts available in single packs. To order single packs, remove the 'X' at the end of the part number (e.g. AM123-4567X would be AM123-4567).  
For Esse A parts available in single packs. To order single packs, remove the '30' after the L in the part number (e.g. L301401X would be L401X).

For Adige, Durma, Ermaksan, Finn Power, GHT, Hans, Mazak, SHT and Salvagnini systems



Consumables

	Esse A part number	Centricut part number	Reference number	Description	Pkg qty
1	AL495	PT348-1052 <b>Recommended</b>	P0571-1051-00001, 6930281333, 055456	PT-Nozzle holder KT B2" Con	1
	AL380	PT348-1053	P0571-1051-00001, 6930281333, 055456	PT-Nozzle holder KT B2 Con	1
	AL355	PT348-1051 OEM original	P0571-1051-00001, 6930281333, 055456	PT-Nozzle holder KT B2" Con	1
2	AL131	PT348-1330 <b>Recommended</b>	PT358-0669	PT-Nozzle holder KT B2	1
	AL421	PT348-0260	281330, P0571-260-00001, 6930281330	PT-Nozzle holder KT B2	1
	AL23	PT348-1330OEM OEM original	281330, P0571-260-00001, 6930281330	PT-Nozzle holder KT B2	1
3	AL566	PT400-4097	P0595-94097	PT-Nozzle holder KT XB	1
4	L30935	PT345-0008X	P0591-673-00008	PT-Nozzle HD, 0.8 mm (10 pk)*	10
	L30234	PT345-1548X	281548, P0591-571-00010	PT-Nozzle HD, 1.0 mm (10 pk)*	10
	L30235	PT345-1549X	281549, P0591-572-00012	PT-Nozzle HD, 1.2 mm (10 pk)*	10
	L30824	PT345-1555X		PT-Nozzle HD, 1.4 mm (10 pk)*	10
	L30236	PT345-1463X	281463, P0591-573-00015, MX-0862	PT-Nozzle HD, 1.5 mm (10 pk)*	10
	L30539	PT345-1464X		PT-Nozzle HD, 1.6 mm (10 pk)	10
	L30237	PT345-0001X	P0591-574-00018, MX-0863	PT-Nozzle HD, 1.8 mm (10 pk)*	10
	L30238	PT345-1550X	281550, P0591-575-00020, MX-0864	PT-Nozzle HD, 2.0 mm (10 pk)*	10
	L30239	PT345-0003X	P0591-574-00023, 29100238, P40-003805-006	PT-Nozzle HD, 2.3 mm (10 pk)*	10
	L30240	PT345-1551X	281551, P0591-576-00025, MX-0865	PT-Nozzle HD, 2.5 mm (10 pk)*	10
	L30936	PT345-1552X	281552, P40-003805-008	PT-Nozzle HD, 2.75 mm (10 pk)*	10
	L30241	PT345-0002X	P0591-577-00030, MX-0866	PT-Nozzle HD, 3.0 mm (10 pk)*	10
	L30827	PT345-0006X	29100243, P40-003805-011	PT-Nozzle HD, 3.5 mm (10 pk)*	10
	L30828	PT345-0004X	P40-003805-012, P0591-578-00040	PT-Nozzle HD, 4.0 mm (10 pk)*	10
	L30829	PT345-0007X		PT-Nozzle HD, 4.5 mm (10 pk)*	10
	L30234X	PT345-1548CPX		PT-Nozzle HD, 1.0 mm CP (10 pk)*	10
	L30235X	PT345-1549CPX		PT-Nozzle HD, 1.2 mm CP (10 pk)*	10
	L30824X	PT345-1555CPX		PT-Nozzle HD, 1.4 mm CP (10 pk)*	10
	L30236X	PT345-1463CPX		PT-Nozzle HD, 1.5 mm CP (10 pk)*	10
	L30237X	PT345-0001CPX		PT-Nozzle HD, 1.8 mm CP (10 pk)*	10
	L30238X	PT345-1550CPX		PT-Nozzle HD, 2.0 mm CP (10 pk)*	10
	L30240X	PT345-1551CPX		PT-Nozzle HD, 2.5 mm CP (10 pk)*	10
	L30241X	PT345-0002CPX		PT-Nozzle HD, 3.0 mm CP (10 pk)*	10
	L30828X	PT345-0004CPX		PT-Nozzle HD, 4.0 mm CP (10 pk)*	10

(Continued on next page)

\*Precitec is a trademark of Precitec GmbH & Co. KG. Centricut is in no way directly or indirectly affiliated with Precitec GmbH & Co. KG. All parts are made by or for Centricut and are compatible with listed Precitec product. Centricut is a registered trademark of Hypertherm, Inc.

For Adige, Durma, Ermaksan, Finn Power, GHT, Hans, Mazak, SHT and Salvagnini systems

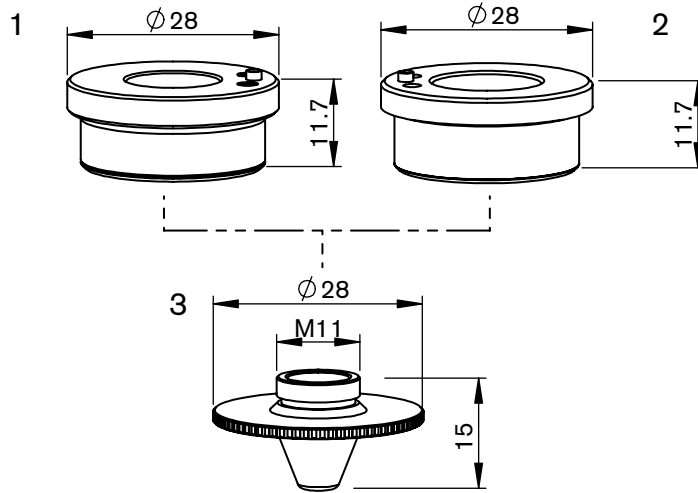
## Consumables

	Esse A part number	Centricut part number	Reference number	Description	Pkg qty
5	L1701	PT345-0050	6283300050	Nozzle - 1.5 mm double	1
	L1702	PT345-0060	6283300060	Nozzle - 2.0 mm double	1
	L1703	PT345-0070	6283300070	Nozzle - 2.5 mm double	1
	L1704	PT345-0080	6283300080	Nozzle - 3.0 mm double	1
	L1705	PT345-0090	6283300090	Nozzle - 3.5 mm double	1
	L1706	PT345-0100	6283300100	Nozzle - 4.0 mm double	1
	L1707	PT345-0110	6283300110	Nozzle - 4.5 mm double	1
6	L301936	PT345-1936X		PT-Nozzle large head HD, 4.0 mm (10 pk)*	10
	L301937	PT345-1937X	29100373	PT-Nozzle large head HD, 4.5 mm (10 pk)*	10
	L30830	PT345-0830X	29100374, P0591-579-00050	PT-Nozzle large head HD, 5.0 mm (10 pk)*	10

\* Centricut parts available in single packs. To order single packs, remove the 'X' at the end of the part number (e.g. AM123-4567X would be AM123-4567).  
For Esse A parts available in single packs. To order single packs, remove the '30' after the L in the part number (e.g. L301401X would be L401X).

# Replacement parts suitable for: Precitec®\*

For Adige, Durma, Ermaksan, Finn Power, GHT, Hans, Mazak, SHT and Salvagnini systems



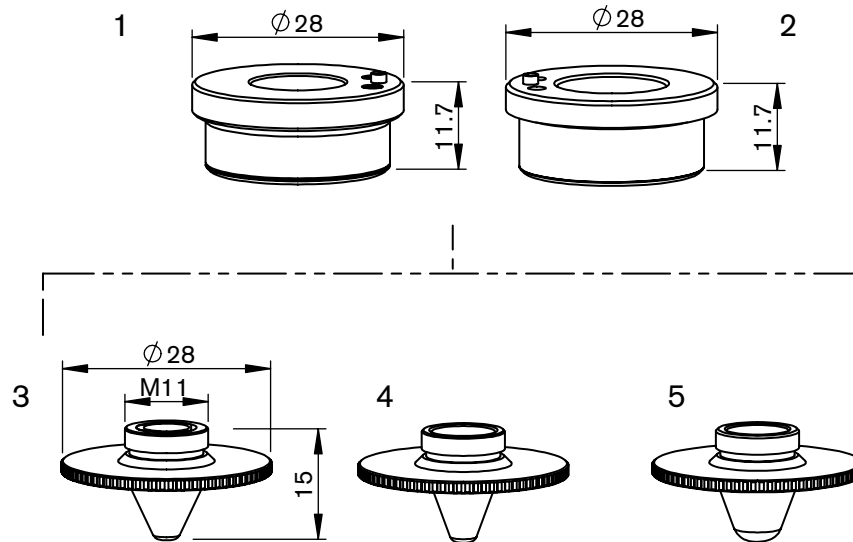
## Consumables

	Esse A part number	Centricut part number	Reference number	Description	Pkg qty
1	AL495	PT348-1052 <b>Recommended</b>	P0571-1051-00001, 6930281333, 055456	PT-Nozzle holder KT B2" Con	1
	AL380	PT348-1053	P0571-1051-00001, 6930281333, 055456	PT-Nozzle holder KT B2 Con	1
	AL355	PT348-1051 <b>OEM original</b>	P0571-1051-00001, 6930281333, 055456	PT-Nozzle holder KT B2" Con	1
2	AL131	PT348-1330 <b>Recommended</b>	281330, P0571-260-00001, 6930281330	PT-Nozzle holder KT B2	1
	AL421	PT348-0260	281330, P0571-260-00001, 6930281330	PT-Nozzle holder KT B2	1
	AL23	PT348-1330OEM <b>OEM original</b>	281330, P0571-260-00001, 6930281330	PT-Nozzle holder KT B2	1
3	L30247	PT350-1590X	281590, P0591-569-00008, P40-007141-004	PT-Nozzle, 0.8 mm (10 pk)*	10
	L30162	PT350-1331X	281331, P0591-561-00010, 6930281331, P40-007141-005	PT-Nozzle, 1.0 mm (10 pk)*	10
	L30130	PT350-1351X	281351, P0591-562-00012, 6930281351, P40-007141-006	PT-Nozzle, 1.2 mm (10 pk)*	10
	L30131	PT350-1352X	281352, P0591-563-00015, 6930281352, P40-007141-001	PT-Nozzle, 1.5 mm (10 pk)*	10
	L30153	PT350-1353X	281353, P0591-564-00018, 6930281353, P40-007141-007	PT-Nozzle, 1.8 mm (10 pk)*	10
	L30132	PT350-1354X	281354, P0591-565-00020, 6930281354, P40-007141-002	PT-Nozzle, 2.0 mm (10 pk)*	10
	L30154	PT350-0023X	281354, P591-565-00020, P40-007141-010	PT-Nozzle, 2.3 mm (10 pk)*	10
	L30155	PT350-1591X	281591, P0591-566-00025, 6930281591, P40-007141-003	PT-Nozzle, 2.5 mm (10 pk)*	10
	L30156	PT350-0030X	P0591-568-00030, P40-007141-009	PT-Nozzle, 3.0 mm (10 pk)*	10
	L30130X	PT350-1351CPX		PT-Nozzle, 1.2 mm CP (10 pk)*	10
	L30131X	PT350-1352CPX		PT-Nozzle, 1.5 mm CP (10 pk)*	10
	L30153X	PT350-1353CPX		PT-Nozzle, 1.8 mm CP (10 pk)*	10
	L30132X	PT350-1354CPX		PT-Nozzle, 2.0 mm CP (10 pk)*	10
L30155X	PT350-1591CPX		PT-Nozzle, 2.5 mm CP (10 pk)	10	

\* Centricut parts available in single packs. To order single packs, remove the 'X' at the end of the part number (e.g. AM123-4567X would be AM123-4567).  
For Esse A parts available in single packs. To order single packs, remove the '30' after the L in the part number (e.g. L301401X would be L401X).

# Replacement parts suitable for: Precitec®\*

For Adige, Durma, Ermaksan, Finn Power, GHT and Salvagnini systems



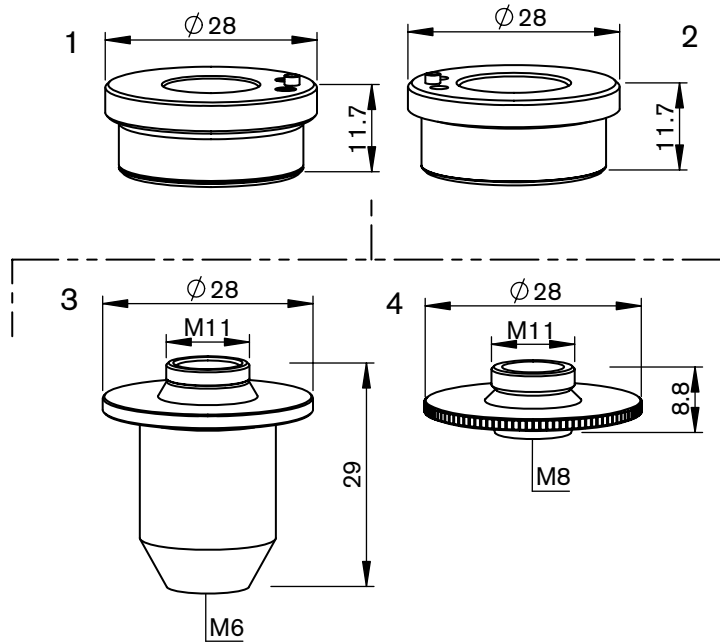
## Consumables

	Esse A part number	Centricut part number	Reference number	Description	Pkg qty
1	AL495	PT348-1052 <b>Recommended</b>	P0571-1051-00001, 6930281333, 055456	PT-Nozzle holder KT B2" Con	1
	AL380	PT348-1053	P0571-1051-00001, 6930281333, 055456	PT-Nozzle holder KT B2 Con	1
	AL355	PT348-1051 OEM original	P0571-1051-00001, 6930281333, 055456	PT-Nozzle holder KT B2" Con	1
2	AL131	PT348-1330 <b>Recommended</b>		PT-Nozzle holder KT B2	1
	AL421	PT348-0260	281330, P0571-260-00001, 6930281330	PT-Nozzle holder KT B2	1
	AL23	PT348-1330OEM OEM original	281330, P0571-260-00001, 6930281330	PT-Nozzle holder KT B2	1
3	L1348	PT358-0001	6930250001	PT-Nozzle double 3D, 0.8 mm/inner 1.5 mm	1
	L1349	PT358-0002	6930250002	PT-Nozzle double 3D, 1.0 mm/inner 1.5 mm	1
	L1350	PT358-0003	6930250003	PT-Nozzle double 3D, 1.2 mm/inner 1.5 mm	1
	L1351	PT358-0004	6930250004	PT-Nozzle double 3D, 1.5 mm/inner 1.5 mm	1
	L1470	PT358-0005		PT-Nozzle double 3D, 1.8 mm/inner 1.5 mm	1
	L1349X	PT358-0002CP		PT-Nozzle double 3D, 1.0 mm/inner 1.5 mm CP	1
	L1350X	PT358-0003CP		PT-Nozzle double 3D, 1.2 mm/inner 1.5 mm CP	1
4	L739	PT406-0002		PT-Nozzle HD, 1.2 mm	1
	L740	PT406-0003		PT-Nozzle HD, 1.5 mm	1
5	L793	PT406-0010		PT-Nozzle, 1.0 mm	1
	L794	PT406-0125		PT-Nozzle, 1.2 mm	1
	L742	PT406-0015	P0591-1049-00015	PT-Nozzle, 1.5 mm	1
	L743	PT406-0018	P0591-1050-00018	PT-Nozzle, 1.8 mm	1
	L744	PT406-0020		PT-Nozzle, 2.0 mm	1

\*Precitec is a trademark of Precitec GmbH & Co. KG. Centricut is in no way directly or indirectly affiliated with Precitec GmbH & Co. KG. All parts are made by or for Centricut and are compatible with listed Precitec product. Centricut is a registered trademark of Hypertherm, Inc.

# Replacement parts suitable for: Precitec<sup>®\*</sup>

For Adige, Finn Power and GHT systems

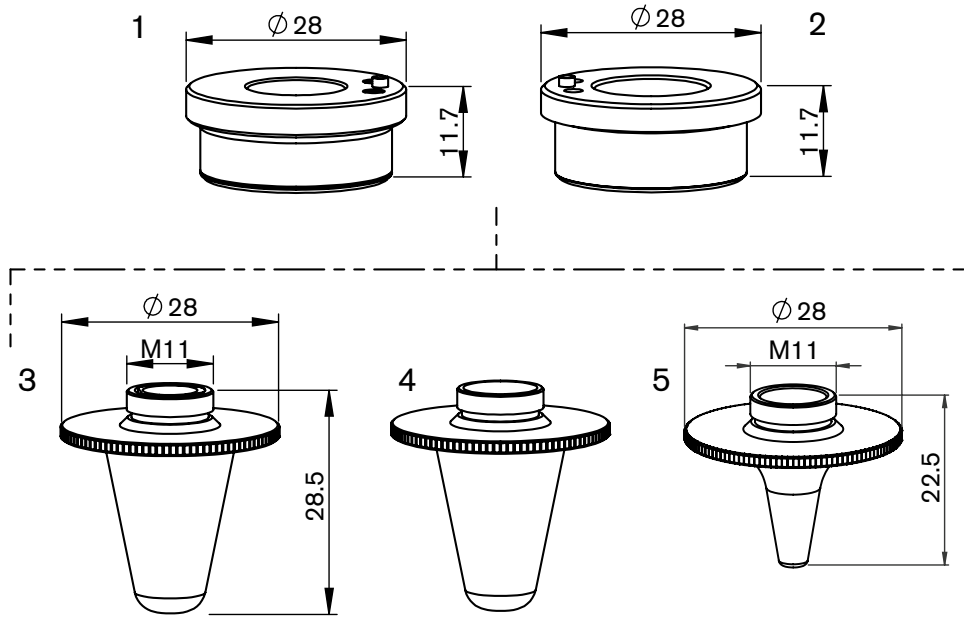


## Consumables

	Esse A part number	Centricut part number	Reference number	Description	Pkg qty
1	AL495	PT348-1052 <b>Recommended</b>	P0571-1051-00001, 6930281333, 055456	PT-Nozzle holder KT B2" Con	1
	AL380	PT348-1053	P0571-1051-00001, 6930281333, 055456	PT-Nozzle holder KT B2 Con	1
	AL355	PT348-1051 <b>OEM original</b>	P0571-1051-00001, 6930281333, 055456	PT-Nozzle holder KT B2" Con	1
2	AL131	PT348-1330 <b>Recommended</b>	281330, P0571-260-00001, 6930281330	PT-Nozzle holder KT B2	1
	AL421	PT348-0260	281330, P0571-260-00001, 6930281330	PT-Nozzle holder KT B2	1
	AL23	PT348-1330OEM <b>OEM original</b>	281330, P0571-260-00001, 6930281330	PT-Nozzle holder KT B2	1
3	AL334	PT406-0334		PT-Nozzle adapter, L=30 M6	1
4	AL43	PT406-0043		PT-Nozzle adapter	1

\*Precitec is a trademark of Precitec GmbH & Co. KG. Centricut is in no way directly or indirectly affiliated with Precitec GmbH & Co. KG. All parts are made by or for Centricut and are compatible with listed Precitec product. Centricut is a registered trademark of Hypertherm, Inc.

For Adige, Finn Power and GHT systems



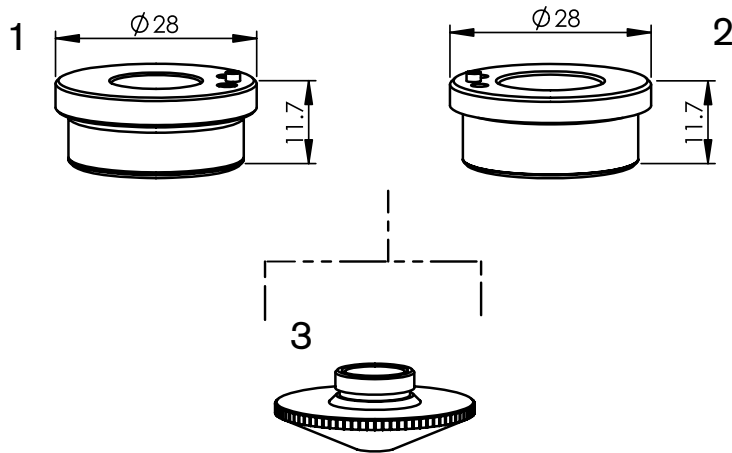
**Consumables**

	Esse A part number	Centricut part number	Reference number	Description	Pkg qty
1	AL495	PT348-1052 <b>Recommended</b>	P0571-1051-00001, 6930281333, 055456	PT-Nozzle holder KT B2" Con	1
	AL380	PT348-1053	P0571-1051-00001, 6930281333, 055456	PT-Nozzle holder KT B2 Con	1
	AL355	PT348-1051 <b>OEM original</b>	P0571-1051-00001, 6930281333, 055456	PT-Nozzle holder KT B2" Con	1
2	AL131	PT348-1330 <b>Recommended</b>	281330, P0571-260-00001, 6930281330	PT-Nozzle holder KT B2	1
	AL421	PT348-0260	281330, P0571-260-00001, 6930281330	PT-Nozzle holder KT B2	1
	AL23	PT348-1330 <b>OEM original</b>	281330, P0571-260-00001, 6930281330	PT-Nozzle holder KT B2	1
3	L680	PT420-0010	6930250680	PT-Nozzle double long, 1.0 mm	1
	L681	PT420-0125	6930250681	PT-Nozzle double long, 1.2 mm	1
	L682	PT420-0015	6930250682	PT-Nozzle double long, 1.5 mm	1
	L683	PT420-0018	6930250683	PT-Nozzle double long, 1.8 mm	1
	L684	PT420-0020	6930250684	PT-Nozzle double long, 2.0 mm	1
	L686	PT420-0025	6930250686	PT-Nozzle double long, 2.5 mm	1
	L687	PT420-0030	6930250687	PT-Nozzle double long, 3.0 mm	1
	L688	PT420-0035	6930250688	PT-Nozzle double long, 3.5 mm	1
4	L307	PT390-0012	P0573-563-00012	PT-Nozzle long, 1.2 mm	1
	L382	PT390-0015	P0573-563-00015	PT-Nozzle long, 1.5 mm	1
	L383	PT390-0018	P0573-563-00018	PT-Nozzle long, 1.8 mm	1
	L437	PT390-0020	P0573-564-00020	PT-Nozzle long, 2.0 mm	1
	L439	PT390-0025	P0573-566-00025	PT-Nozzle long, 2.5 mm	1
	L440	PT390-0030		PT-Nozzle long, 3.0 mm	1
5	L1374	PT390-0040	P0578-0411-00010, 6930300045	PT-Nozzle radius long, 1.0 mm	1
	L1375	PT390-0005	P0578-0412-00012, 6930300046	PT-Nozzle radius long, 1.2 mm	1
	L1376	PT390-0006	P0578-0413-00015, 6930300039	PT-Nozzle radius long, 1.5 mm	1
	L1373	PT390-0009	P0578-0414-00018, 6930300047	PT-Nozzle radius long, 1.8 mm	1
	L1377	PT390-0007	P0578-0415-00020, 6930300040	PT-Nozzle radius long, 2.0 mm	1
	L1378	PT390-0008	P0578-0416-00025, 6930300048	PT-Nozzle radius long, 2.5 mm	1

\*Precitec is a trademark of Precitec GmbH & Co. KG. Centricut is in no way directly or indirectly affiliated with Precitec GmbH & Co. KG. All parts are made by or for Centricut and are compatible with listed Precitec product. Centricut is a registered trademark of Hypertherm, Inc.

# Replacement parts suitable for: Precitec<sup>®\*</sup>

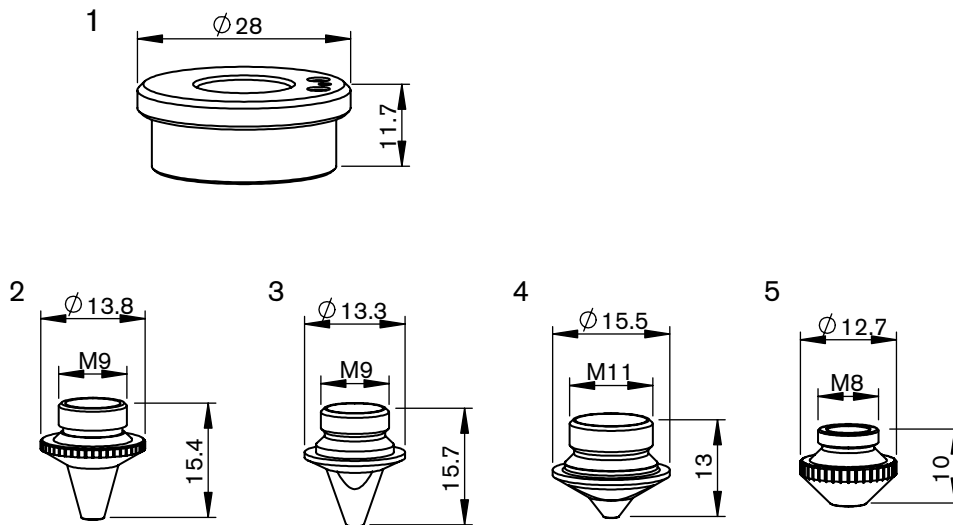
For Adige, Durma, Ermaksan, Finn Power, GHT, Hans, Mazak, SHT and Salvagnini systems



## Consumables

	Esse A part number	Centricut part number	Reference number	Description	Pkg qty
1	AL495	PT348-1052 <b>Recommended</b>	P0571-1051-00001, 6930281333, 055456	PT-Nozzle holder KT B2" Con	1
	AL380	PT348-1053	P0571-1051-00001, 6930281333, 055456	PT-Nozzle holder KT B2 Con	1
	AL355	PT348-1051 <b>OEM original</b>	P0571-1051-00001, 6930281333, 055456	PT-Nozzle holder KT B2" Con	1
2	AL131	PT348-1330 <b>Recommended</b>	281330, P0571-260-00001, 6930281330	PT-Nozzle holder KT B2	1
	AL421	PT348-0260	281330, P0571-260-00001, 6930281330	PT-Nozzle holder KT B2	1
	AL23	PT348-1330 <b>OEM</b> <b>OEM original</b>	281330, P0571-260-00001, 6930281330	PT-Nozzle holder KT B2	1
3	L467	PT377-0015	281570, P0571-293-00015	PT-Nozzle, 1.5 mm	1
	L469	PT377-0020	281571, P0571-295-00020	PT-Nozzle, 2.0 mm	1
	L463	PT377-0030		PT-Nozzle, 3.0 mm	1

\*Precitec is a trademark of Precitec GmbH & Co. KG. Centricut is in no way directly or indirectly affiliated with Precitec GmbH & Co. KG. All parts are made by or for Centricut and are compatible with listed Precitec product. Centricut is a registered trademark of Hypertherm, Inc.

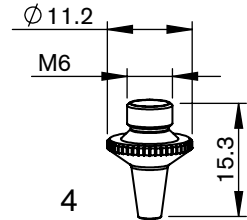
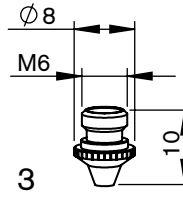
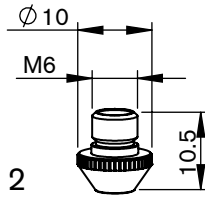
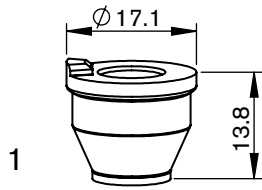


## Consumables

	Esse A part number	Centricut part number	Reference number	Description	Pkg qty
1	AL331	PT348-1330C	281330, P0571-260-00001, 6930281330	PT-Nozzle holder, ceramic	1
2	L30405	PT344-1813X	281813, P0589-424-00008	PT-Nozzle, 0.8 mm (10 pk)*	10
	L30406	PT344-1789X	281789, P0589-426-00010	PT-Nozzle, 1.0 mm (10 pk)*	10
	L30404	PT344-1561X	281561, 778550, P0589-425-00012	PT-Nozzle, 1.2 mm (10 pk)*	10
	L30407	PT344-1499X	281814, 149957	PT-Nozzle, 1.5 mm (10 pk)*	10
	L30408	PT344-0020X	P0589-428-00020	PT-Nozzle, 2.0 mm (10 pk)	10
	<b>YK52 Sensor system</b>				
3	L30800	PT391-0010X	281498, P0587-722-00010	PT-Nozzle, 1.0 mm (10 pk)	10
	L30801	PT391-0012X	P0587-723-00012	PT-Nozzle, 1.2 mm (10 pk)	10
	L30802	PT391-0015X	281497, P0587-721-00015	PT-Nozzle, 1.5 mm (10 pk)*	10
	L30804	PT391-0020X	281567, P0587-771-00020	PT-Nozzle, 2.0 mm (10 pk)*	10
	L30805	PT391-0025X	P0587-772-00025	PT-Nozzle, 2.5 mm (10 pk)	10
4	L1013	PT401-0010	P0587-841-00010	PT-Nozzle, 1.0 mm	1
5	L30400	PT344-0013X	280013, P0492-441-00008, W222	PT-Nozzle FP, 0.8 mm (10 pk)	10
	L30401	PT344-0014X	280014, P0492-442-00010, W223	PT-Nozzle FP, 1.0 mm (10 pk)*	10
	L30402	PT344-0015X	280015, P0492-443-00012, W228	PT-Nozzle FP, 1.2 mm (10 pk)	10
	L30403	PT344-0016X		PT-Nozzle FP, 1.5 mm (10 pk)	10

\* Centricut parts available in single packs. To order single packs, remove the 'X' at the end of the part number (e.g. AM123-4567X would be AM123-4567).  
For Esse A parts available in single packs. To order single packs, remove the '30' after the L in the part number (e.g. L301401X would be L401X).

For Adige, Finn Power and Salvagnini systems

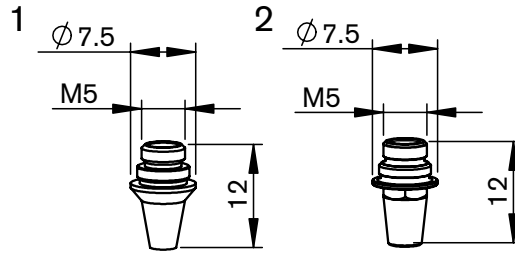


## Consumables

	Esse A part number	Centricut part number	Reference number	Description	Pkg qty
1	AL653	TR302-2406 <b>Recommended</b>	280408, 092405, P0494-752-00001, 6930300016	TR-Nozzle holder KT M1.5" KN	1
	AL53	TR302-2405	280408, 092405, P0494-752-00001, 6930300016	TR-Nozzle holder KT M1.5" KN OEM	1
2	L30292	PT344-0551X	280551, P0494-853-00010	PT-Nozzle, 1.0 mm (10 pk)	10
	L30293	PT344-0552X	280552, P0494-854-00012	PT-Nozzle, 1.2 mm (10 pk)*	10
	L30294	PT344-0553X	280553, P0494-855-00015	PT-Nozzle, 1.5 mm (10 pk)*	10
	L30295	PT344-0554X	P0494-856-00017	PT-Nozzle, 1.7 mm (10 pk)*	10
	L30296	PT344-0555X	280555, P0494-855-00020	PT-Nozzle, 2.0 mm (10 pk)*	10
	<b>DE M 1.5"</b>				
3	L301055	PT379-0010X	280943, P0494-787-00010	PT-Nozzle KN TAK, 1.0 mm (10 pk)	10
	L301056	PT379-0012X	280942, P0494-788-00012	PT-Nozzle KN TAK, 1.2 mm (10 pk)*	10
	L301057	PT379-0015X	280941, P0494-789-00015	PT-Nozzle KN TAK, 1.5 mm (10 pk)*	10
	L301058	PT379-0018X	P0494-785-00018	PT-Nozzle KN TAK, 1.8 mm (10 pk)*	10
	L301059	PT379-0020X	P0494-786-00020	PT-Nozzle KN TAK, 2.0 mm (10 pk)*	10
	<b>DE Y 30/22</b>				
4	L301980	PT344-1980X	P0787-482-00012	PT-Nozzle DE Y30/22 F100, 1.2 mm (10 pk)*	10
	L301981	PT344-1981X	P0787-483-00015	PT-Nozzle DE Y30/22 F10, 1.5 mm (10 pk)*	10
	L301983	PT344-1983X	P0787-1001-00020	PT-Nozzle DE, 2.0 mm (10 pack)*	10
	L301984	PT344-1984X		PT-Nozzle DE, 2.5 mm (10 pack)*	10

\* Centricut parts available in single packs. To order single packs, remove the 'X' at the end of the part number (e.g. AM123-4567X would be AM123-4567).  
For Esse A parts available in single packs. To order single packs, remove the '30' after the L in the part number (e.g. L301401X would be L401X).

For Adige and Mazak systems

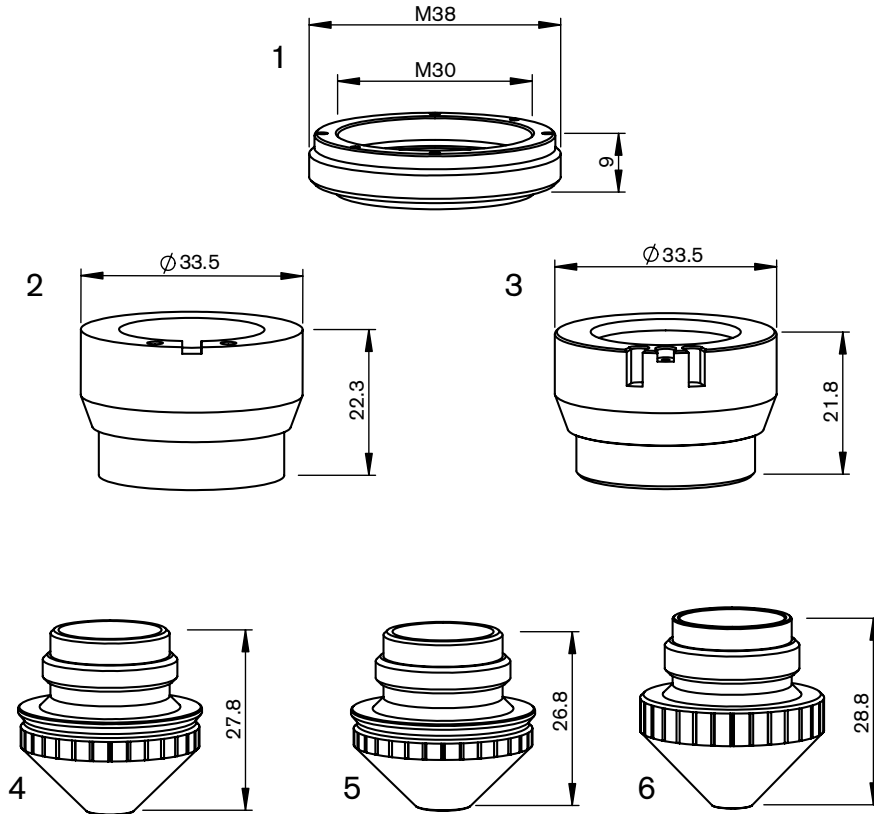


**Consumables**

	Esse A part number	Centricut part number	Reference number	Description	Pkg qty
1	L30486	PT347-1006X	281006, P0352-333-00010	PT-Nozzle KK, 1.0 mm (10 pk)	10
	L30488	PT347-1031X	281031, P0352-335-00015	PT-Nozzle KK, 1.5 mm (10 pk)*	10
	L30489	PT347-0898X	280898, P0352-336-00018	PT-Nozzle KK, 1.8 mm (10 pk)	10
	L30490	PT347-1020X	P0352-336-00020	PT-Nozzle KK, 2.0 mm (10 pk)*	10
2	L301760	PT347-1760X	P0491-1001-00015	PT-Nozzle hexagonal DE M1.5 KS, 1.0 mm (10 pk)	10
	L301761	PT347-1761X	P0491-1002-00020	PT-Nozzle hexagonal DE M1.5 KS, 1.2 mm (10 pk)	10
	L301762	PT347-1762X		PT-Nozzle hexagonal DE M1.5 KS, 1.5 mm (10 pk)	10
	L301764	PT347-1764X		PT-Nozzle hexagonal DE M1.5 KS, 2.0 mm (10 pk)	10

\* Centricut parts available in single packs. To order single packs, remove the 'X' at the end of the part number (e.g. AM123-4567X would be AM123-4567).  
For Esse A parts available in single packs. To order single packs, remove the '30' after the L in the part number (e.g. L301401X would be L401X).

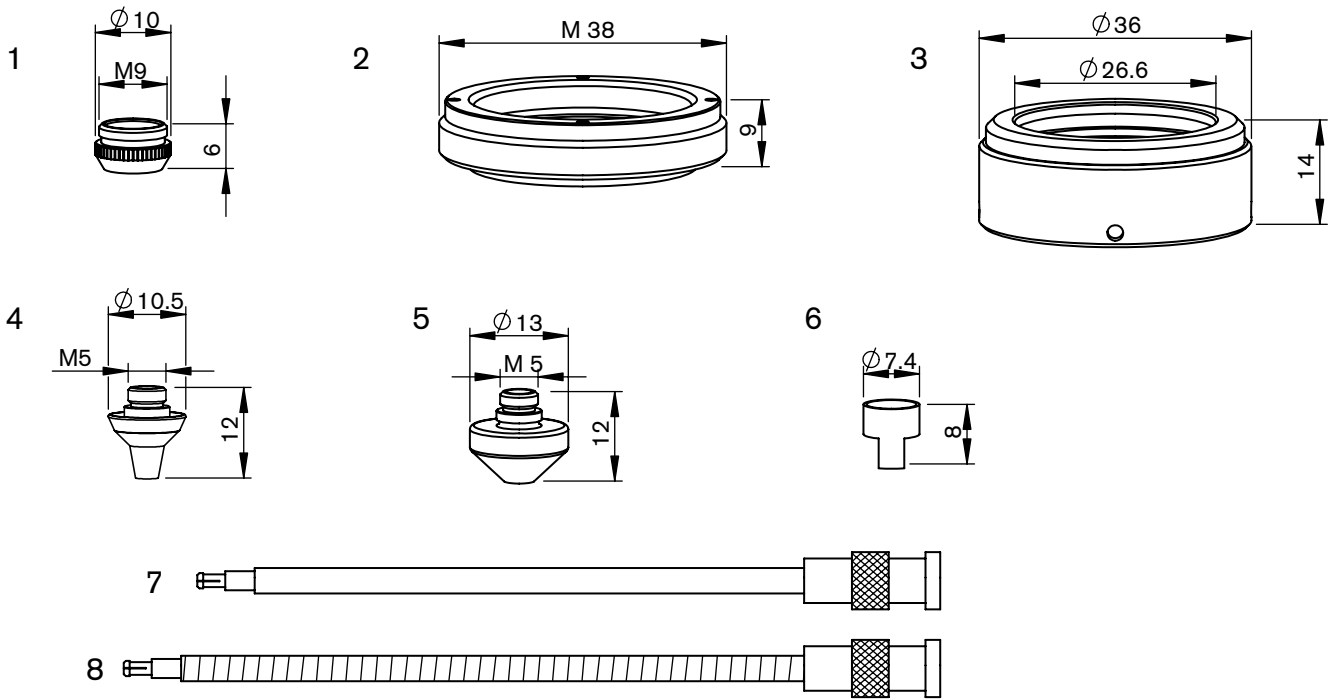
For Adige and Finn-Power systems



### Consumables

	Esse A part number	Centricut part number	Reference number	Description	Pkg qty
1	AL201	PT311-0001	P0492-702-00002	PT-Insulating ring	1
	AL198	PT347-4297	P0492-702-00001, 29100021	PT-Insulating ring outer body	1
	AL94	AM326-6453 (not shown)		AM-O-ring for outer nozzle	1
2	AL298	PT311-0298	P0497-68871, P0497-615-00001	PT-Nozzle holder KTM 1.5" DXN, ceramic	1
3	AL130/S	PT311-1146	281146, P0380-211-00001, 29100033	PT-Nozzle holder ITM 1.5" DZ	1
	AL130	PT311-1146OEM	281146, P0380-211-00001, 29100033	PT-Nozzle holder ITM 1.5" DZ OEM	1
4	L367	PT376-0015	280028, P0492-627-00015	PT-Nozzle, 1.5 mm	1
5	L369	PT376-0020	280027, P0492-626-00020	PT-Nozzle, 2.0 mm	1
6	L165	PT311-0015	281255, P0380-253-00015	PT-Nozzle, 1.5 mm	1
	L166	PT311-0020	281270, P0380-254-00020	PT-Nozzle, 2.0 mm	1

\*Precitec is a trademark of Precitec GmbH & Co. KG. Centricut is in no way directly or indirectly affiliated with Precitec GmbH & Co. KG. All parts are made by or for Centricut and are compatible with listed Precitec product. Centricut is a registered trademark of Hypertherm, Inc.

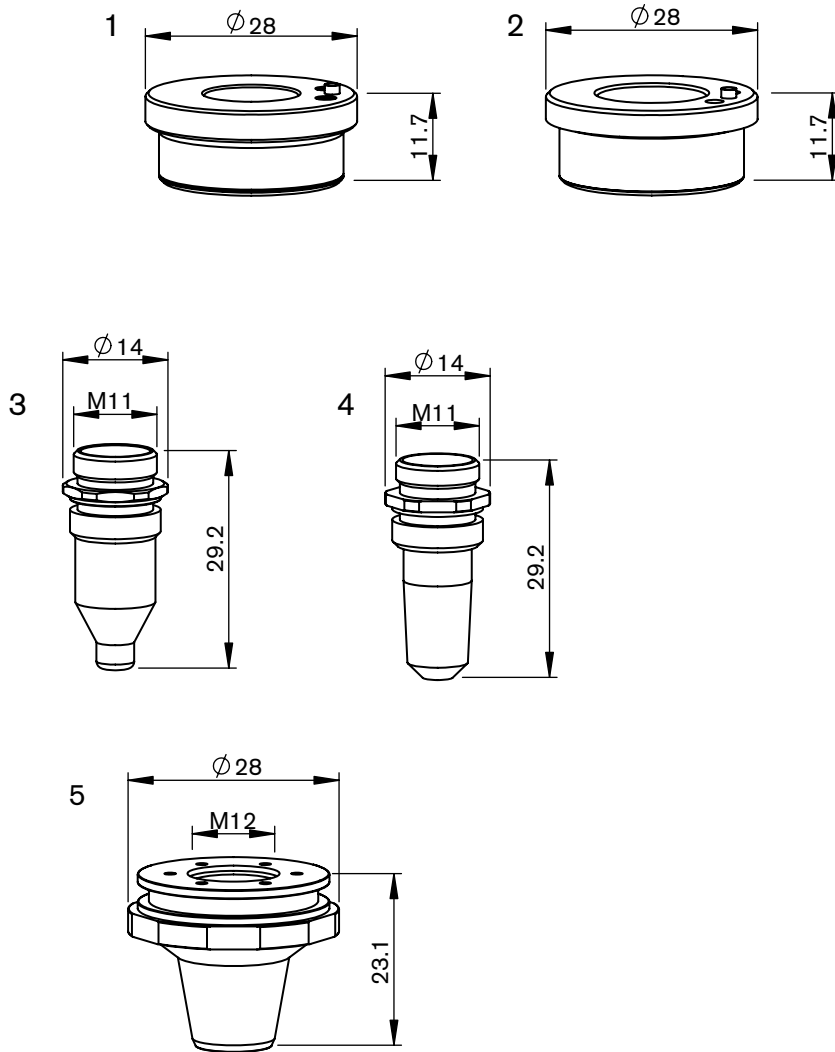


## Consumables

	Esse A part number	Centricut part number	Reference number	Description	Pkg qty
1	AL160	PT347-0320	46713300321, P0352-311-00001	PT-Union nut, Vespel	1
2	AL198	PT347-4297	P0492-702-00001, 29100021	PT-Insulating ring outer body	1
3	AL218	PT347-0008	46713330200	PT-Insulating ring outer body (Precitec)	1
4	L30554	PT347-0005X	46713300290-10	PT-Nozzle 3D, 1.0 mm (10 pk)*	10
	L555	PT347-0290-1.2	46713300290-12	PT-Nozzle 3D, 1.2 mm	1
	L30555	PT347-0090X	46713300290-12	PT-Nozzle 3D, 1.2 mm (10 pk)*	10
	L30556	PT347-0290X	46713300290-15, P0352-381-00015	PT-Nozzle 3D, 1.5 mm (10 pk)*	10
	L30557	PT347-0118X	P0352-377-00018	PT-Nozzle 3D, 1.8 mm (10 pk)	10
	L30558	PT347-0280X	46713300310, P0352-382-00020	PT-Nozzle 3D, 2.0 mm (10 pk)*	10
	L30560	PT347-0001X	46713300280-25	PT-Nozzle 3D, 2.5 mm (10 pk)*	10
	L30563	PT347-0002X	46713300280-30, 46713300430	PT-Nozzle 3D, 3.0 mm (10 pk)*	10
	L30564	PT347-0035X	46713300280-35	PT-Nozzle 3D, 3.5 mm (10 pk)*	10
5	L30577	PT347-0012X	46713300310	PT-Nozzle 2D, 1.2 mm (10 pk)	10
	L30578	PT347-0310X	P0352-386-00015	PT-Nozzle 2D, 1.5 mm (10 pk)*	10
	L30580	PT347-0300X	46713300300, P0352-387-00020	PT-Nozzle 2D, 2.0 mm (10 pk)*	10
	L30581	PT347-0003X	46713300300-25	PT-Nozzle 2D, 2.5 mm (10 pk)*	10
	L30582	PT347-0006X	46713300300-30	PT-Nozzle 2D, 3.0 mm (10 pk)*	10
6	AL256	PT347-0009	46713300390	PT-Connector protector	1
	AL94	AM326-6453 (not shown)		AM-O-ring for outer nozzle	1
7	AL204	PT347-0101	P0360-100-00500, 46713300100	PT-Sensor head connecting cable OEM	1
8	AL257	PT347-1386	281386, P0360-155-00500	PT-Electrode cable	1

\* Centricut parts available in single packs. To order single packs, remove the 'X' at the end of the part number (e.g. AM123-4567X would be AM123-4567).  
For Esse A parts available in single packs. To order single packs, remove the '30' after the L in the part number (e.g. L301401X would be L401X).

For Koike systems



**Consumables**

	Esse A part number	Centricut part number	Reference number	Description	Pkg qty
1	AL495	PT348-1052 <b>Recommended</b>	P0571-1051-00001, 6930281333, 055456	PT-Nozzle holder KT B2" Con	1
	AL380	PT348-1053	P0571-1051-00001, 6930281333, 055456	PT-Nozzle holder KT B2 Con	1
	AL355	PT348-1051 OEM original	P0571-1051-00001, 6930281333, 055456	PT-Nozzle holder KT B2" Con	1
2	AL131	PT348-1330 <b>Recommended</b>	281330, P0571-260-00001, 6930281330	PT-Nozzle holder KT B2	1
	AL421	PT348-0260	281330, P0571-260-00001, 6930281330	PT-Nozzle holder KT B2	1
	AL23	PT348-1330OEM OEM original	281330, P0571-260-00001, 6930281330	PT-Nozzle holder KT B2	1
3	L1595	PT348-5175		PT-Nozzle, 1.7 mm	1
4	L1594	PT348-1594		PT-Nozzle, 1.2 mm	1
5	AL414	PT348-0414	20083268	PT-Nozzle outer, 7.0 mm	1

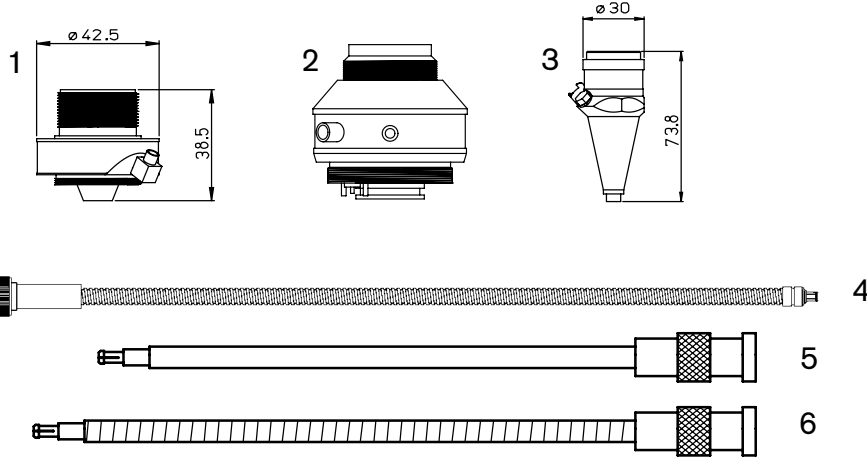
\*Precitec is a trademark of Precitec GmbH & Co. KG. Centricut is in no way directly or indirectly affiliated with Precitec GmbH & Co. KG. All parts are made by or for Centricut and are compatible with listed Precitec product. Centricut is a registered trademark of Hypertherm, Inc.

## Consumables

Esse A part number	Centricut part number	Reference number	Description	Pkg qty
<b>PRECITEC® original spare parts (not shown)</b>				
AL211	PT347-0007	P0354-110-00002/00001, P0354-130-00001	PT-Sensor cone HNZ (Mazak)	1
	PT347-0010	P0591-105-00001	PT-Connector head OEM	1
P36015000300	PT347-0014	KE 300 gw Z MM, P0360-150-00300	PT-Sensor cable OEM	1
	PT347-0016	P0591-770-00001	PT-Electrode tacitile OEM	1
ZM HP1.5" DR	PT347-0017	ZM HP1.5" DR, P0591-329-00001	PT-Seal OEM, 1.5"	1
ZM HP1.5" DF	PT347-0018	ZM HP1.5" DF	PT-Seal OEM, 1.5"	1
	PT347-0021	P0594-510-00001	PT-Sensor insert SE HP 2.0" OEM	1
281617	PT347-0022	281617, P0591-580-00001	PT-Socket ZM HP 1.5" IB OEM	1
281395	PT347-0023	281395, P0591-920-00001	PT- Seal set ZM HP1.5" DS OEM	1
AL638	PT347-0024	P0497-110-00001	PT-Sensor insert SE M1.5" DXN	1
	PT347-1439		PT-Lens ring set OEM	1
281395	PT347-1383		PT-Nut tray HP OEM (4 pcs)	1
	PT344-0001	P0788-580-00001	Lens mount - OL YR30 F100 w/lens	1
	PT347-0130	P0492-001-00130	PT-Electrode cable OEM, KE 130 GW	1
	PT347-0220	P0464-810-00220	PT-Electrode cable OEM, KE 220 GGMM	1
AL350	PT347-350	46713330960	PT-Isolating ring, inner cone	1
AL349	PT347-349	46713330930	PT-Sensor cone inner	1
AL599	PT349-0001	P380-130-00001, P497-130-00001, 3164010001	Precitec sensor cone DZ/S kit (sensor PT380-130-00001, Nut P497-130-00001)	1
AL597	PT348-0200	3164010151, P0360-156-00200, P0360-66867	PT-Electrode cab.KE 200 gw Z MM	1
AL596	PT348-0300	3164010002, P0360-150-00300	PT-Electrode cab. KE 300 gw Z MM	1
AL598	PT348-0220	3164010072, P0360-600-00220, P0464-810-00220	PT-Electrode cab. KE 220 GG	1

# Replacement parts suitable for: Precitec®\*

For Adige, Durma, Ermakson, Finn Power, GHT, Hans, Mazak, SHT and Salvagnini systems



## Consumables

	Esse A part number	Centricut part number	Reference number	Description	Pkg qty
<b>New sensor cones</b>					
1		PT347-8001	280010	PT-Sensor cone 2.5Z/J	1
2	AL610	PT347-1145	281145, P0380-140-00002, P038014001	PT-Sensor cone, DZ	1
3		PT347-0011	P0354-110-00002	PT-Sensor Cone HNZ (Mitsubishi)	1
	AL611	PT347-3323	567123323A1	PT-Sensor Cone HNP	1
	AL609	PT347-0522	P0599-520-00002	PT-Sensor Cone LRC	1
		PT347-0019	P0380-110-00002	PT-Sensor Insert SE 1.5" DZ	1
<b>Sensor cables</b>					
	AL608	PT347-0238 (not shown)	P0361-203-00001	PT-Sensor cone, 2.5/J	1
4	AL633	PT347-0101A	P0360-100-00500, 46713300100	PT-Sensor cable, 500 mm (20") armored	1
	AL634	PT347-0250	342475	PT-Sensor cable, 250 mm (10") armored	1
5	AL204	PT347-0101	P0360-100-00500, 46713300100	PT-Sensor head connecting cable OEM	1
6	AL257	PT347-1386	281386, P0360-155-00500	PT-Sensor cable, armored	1
	AL637	PT347-1250 (not shown)	D5001-040-00250	PT-Sensor cable, 250 mm (10") armored	1
	AL639	PT347-KS13 (not shown)		PT-Sensor cable, 390 mm (15.5") armored	1
		PT347-06000EM (not shown)	P0360-210-00600	PT-Sensor cable, 600 ZWW OEM	1
	AL631	PT347-0015A (not shown)	00B-15	PT-Sensor cable, 380 mm (15")	1
	AL358	PT347-0181 (not shown)	46743300181	PT-Sensor cable, 305 mm (12") armored	1
	AL636	PT347-0500 (not shown)		PT-Sensor cable, 390 mm (15.4") armored	1
		PT347-0522 (not shown)		PT-Sensor cone, LRC	1
		PT347-0014 (not shown)	P36015000300	PT-Sensor cable, KE 300 gw Z MM OEM	1
		PT344-3051 (not shown)		PT-Electrode guard, long	1
	AL632	PT347-0040 (not shown)	00BB-A-17i,BEC004-000.4	PT-Sensor cable, 431 mm (17") armored	1
	AL635	PT347-0300A (not shown)	P0492-014-00300	PT-Sensor cable KE, 300 mm (12") armored	1

\*Precitec is a trademark of Precitec GmbH & Co. KG. Centricut is in no way directly or indirectly affiliated with Precitec GmbH & Co. KG. All parts are made by or for Centricut and are compatible with listed Precitec product. Centricut is a registered trademark of Hypertherm, Inc.

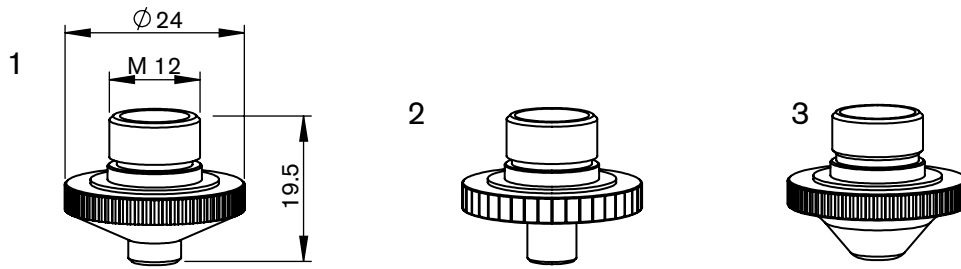
## Consumables

	Esse A part number	Centricut part number	Reference number	Description	Pkg qty
1	L307610	PT356-0010X		PT-DBL NOZ 1.0-1.5MM 6Lobes (10PK)	10
	L307612	PT356-0125X		PT-DBL NOZ 1.2-1.5MM 6Lobes (10PK)	10
	L307614	PT356-0124X		PT-DBL NOZ 1.4-1.5MM 6Lobes (10PK)	10
	L307615	PT356-0015X		PT-DBL NOZ 1.5-1.5MM 6Lobes (10PK)	10
	L307616	PT356-0046X		PT-DBL NOZ 1.6-1.5MM 6Lobes (10PK)	10
	L307618	PT356-0018X		PT-DBL NOZ 1.8-1.5MM 6Lobes (10PK)	10
	L307620	PT356-0020X		PT-DBL NOZ 2.0-1.5MM 6Lobes (10PK)	10
	L307623	PT356-0023X		PT-DBL NOZ 2.3-1.5MM 6Lobes (10PK)	10
	L307625	PT356-0007X		PT-DBL NOZ 2.5-1.5MM 6Lobes (10PK)	10
	L307627	PT356-0008X		PT-DBL NOZ 2.7-1.5MM 6Lobes (10PK)	10
	L307630	PT356-0030X		PT-DBL NOZ 3.0-1.5MM 6Lobes (10PK)	10
	L307632	PT356-0031X		PT-DBL NOZ 3.2-1.5MM 6Lobes (10PK)	10
	L307635	PT356-0035X		PT-DBL NOZ 3.5-1.5MM 6Lobes (10PK)	10
	L307640	PT356-0040X		PT-DBL NOZ 4.0-1.5MM 6Lobes (10PK)	10
	L307645	PT356-0045X		PT-DBL NOZ 4.5-1.5MM 6Lobes (10PK)	10
	L307650	PT356-0050X		PT-DBL NOZ 5.0-1.5MM 6Lobes (10PK)	10

## Consumables

	Esse A part number	Centricut part number	Reference number	Description	Pkg qty
		PT311-0787 (not shown)		PT-Insulating ring	1
	AL221	PT347-0920 (not shown)	46713330920	PT-Isolating ring outer body (Mazak)	1
		PT347-0520 (not shown)		PT-Insulating plate	1
	AL353	PT347-0940 (not shown)	46713330940	PT-Retaining ring	1
	AL351	PT347-1240 (not shown)	46713331240	PT-Torch outer body	1
		PT347-0930 (not shown)		PT-Spatter protection plate	1
	AL356	PT347-9006 (not shown)	HNP-006	PT-Connector cup, HNP	1

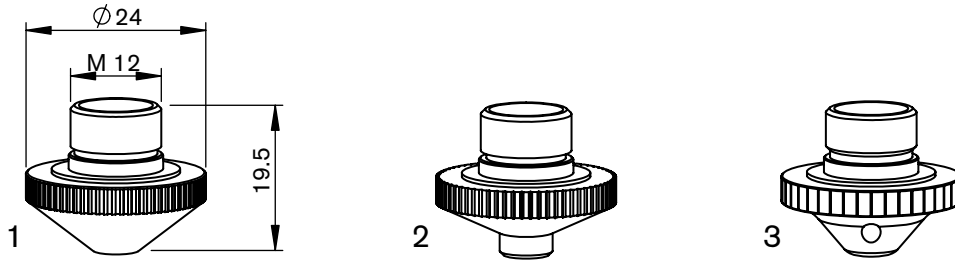
\*Precitec is a trademark of Precitec GmbH & Co. KG. Centricut is in no way directly or indirectly affiliated with Precitec GmbH & Co. KG. All parts are made by or for Centricut and are compatible with listed Precitec product. Centricut is a registered trademark of Hypertherm, Inc.



Consumables

	Esse A part number	Centricut part number	Reference number	Description	Pkg qty
1	L207	PR351-1E111	LW6.1E.111	PR-Nozzle, 1.5 mm	1
	L208	PR351-1E112	LW6.1E.112	PR-Nozzle, 2.0 mm	1
	L209	PR351-1E113	LW6.1E.113	PR-Nozzle, 2.5 mm	1
	L210	PR351-1E114	LW6.1E.114	PR-Nozzle, 3.0 mm	1
	L207X	PR351-1E111CP	LW6.1E.111	PR-Nozzle, 1.5 mm CP	1
	L208X	PR351-1E112CP	LW6.1E.112	PR-Nozzle, 2.0 mm CP	1
	L209X	PR351-1E113CP	LW6.1E.113	PR-Nozzle, 2.5 mm CP	1
2	L608	PR366-1G600	LW6.1G.500, LW6.1G.600	PR-Nozzle, 1.5 mm	1
	L609	PR366-1G601	LW6.1G.501, LW6.1G.601	PR-Nozzle, 2.0 mm	1
	L610	PR366-1G602	LW6.1G.502, LW6.1G.602	PR-Nozzle, 2.5 mm	1
	L611	PR366-1G603	LW6.1G.503, LW6.1G.603	PR-Nozzle, 3.0 mm	1
	L609X	PR366-1G601CP	LW6.1G.501, LW6.1G.601	PR-Nozzle, 2.0 mm CP	1
	3	L900X	PR362-0003CP	1059.70000.003	PR-Nozzle double, 1.0 mm CP
L907X		PR362-0002CP	1059.70000.008	PR-Nozzle double, 1.25 mm CP	1
L901X		PR362-0005CP	1059.70000.004	PR-Nozzle double, 1.5 mm CP	1
L906X		PR362-0001CP	1059.70000.009	PR-Nozzle double, 1.75 mm CP	1
L902X		PR362-0004CP	1059.70000.005	PR-Nozzle double, 2.0 mm CP	1
L903X		PR362-0006CP	1059.70000.006	PR-Nozzle double, 2.5 mm CP	1
L904X		PR362-0007CP	1059.70000.007	PR-Nozzle double, 3.0 mm CP	1

\*Prima Industrie is a trademark of Prima Industrie S.p.A. Centricut is in no way directly or indirectly affiliated with Prima Industrie S.p.A. All parts are made by or for Centricut and are compatible with listed Prima Industrie product. Centricut is a registered trademark of Hypertherm, Inc.



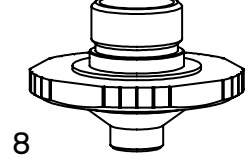
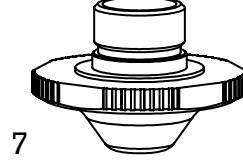
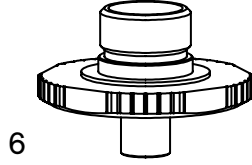
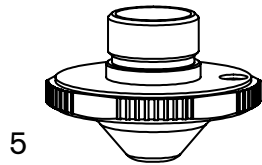
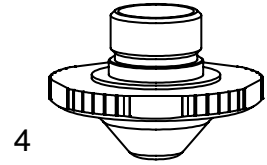
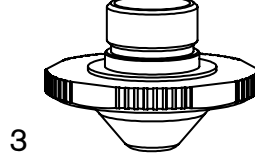
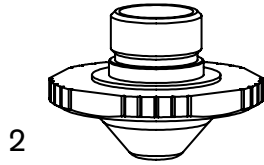
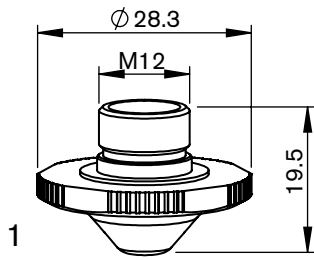
**Consumables**

	Esse A part number	Centricut part number	Reference number	Description	Pkg qty
1	L863	PR422-0002		PR-Nozzle, 1.5 mm	1
	L864	PR422-0003		PR-Nozzle, 2.0 mm	1
2	L1165X	PR422-0650CP	LW6.1G.650	PR-Nozzle, 3.0 CP	1
3	L1167X	PR394-604	LW6.1G.604	PR-Nozzle, 1.5 mm CP	1
	L1168X	PR394-605	LW6.1G.605	PR-Nozzle, 2.0 mm CP	1
	L1169X	PR394-606	LW6.1G.606	PR-Nozzle, 2.5 mm CP	1
	L1170X	PR394-607	LW6.1G.607	PR-Nozzle, 3.0 mm CP	1

**Consumables**

	Esse A part number	Centricut part number	Alternate reference	Description	Pkg qty
	AL628	PR361-3150 (not shown)	99MM-150MM	PR-Sensor cable, 150 mm (6")	1

\*Prima Industrie is a trademark of Prima Industrie S.p.A. Centricut is in no way directly or indirectly affiliated with Prima Industrie S.p.A. All parts are made by or for Centricut and are compatible with listed Prima Industrie product. Centricut is a registered trademark of Hypertherm, Inc.



Consumables

	Esse A part number	Centricut part number	Reference number	Description	Pkg qty
1	L1431X	PR422-0663	LW6.1G.663	PR-Nozzle pentagonal, 1.5 mm CP	1
	L1432X	PR422-0664	LW6.1G.664	PR-Nozzle pentagonal, 1.75 mm CP	1
	L1433X	PR422-0665	LW6.1G.665	PR-Nozzle pentagonal, 2.0 mm CP	1
	L1435X	PR422-0667	LW6.1G.667	PR-Nozzle pentagonal, 2.5 mm CP	1
	L1437X	PR422-0669	LW6.1G.669	PR-Nozzle pentagonal, 3.0 mm CP	1
2	L1805X	PR422-0101CP		PR-Nozzle pentagonal, 1.0 mm CP	1
	L1807X	PR422-0103CP	LW6.1G.103	PR-Nozzle pentagonal, 1.5 mm CP	1
	L1808X	PR422-0105CP	LW6.1G.105	PR-Nozzle pentagonal, 2.0 mm CP	1
	L1809X	PR422-0107CP	LW6.1G.107	PR-Nozzle pentagonal, 2.5 mm CP	1
	L1810X	PR422-0109CP	LW6.1G.109	PR-Nozzle pentagonal, 3.0 mm CP	1
3	L1463	PR422-1463	LW6.1G.201	PR-Nozzle double pentagonal, 3.5 mm	1
	L1472	PR422-1472	LW6.1G.203	PR-Nozzle double pentagonal, 5.0 mm	1
	L2200	PR422-2200	LW6.1G.311	PR-Nozzle double pentagonal SMT 3.0 mm	1
	L2203	PR422-2203	LW6.1G.312	PR-Nozzle double pentagonal SMT 4.0 mm	1
	L1783X	PR422-1783CP	LW6.1G.302	PR-Nozzle double pentagonal, 1.25 mm CP	1
	L1784X	PR422-1784CP	LW6.1G.303	PR-Nozzle double pentagonal, 1.5 mm CP	1
	L1785X	PR422-1785CP	LW6.1G.304	PR-Nozzle double pentagonal, 1.75 mm CP	1
	L1786X	PR422-1786CP	LW6.1G.305	PR-Nozzle double pentagonal, 2.0 mm CP	1
	L1787X	PR422-1787CP	LW6.1G.307	PR-Nozzle double pentagonal, 2.5 mm CP	1
	L2197X	PR422-2197CP	LW6.1G.310	PR-Nozzle double pentagonal D 2.5 MM CP	1
L1789X	PR422-1789CP	LW6.1G.309	PR-Nozzle double pentagonal, 3.0 mm CP	1	

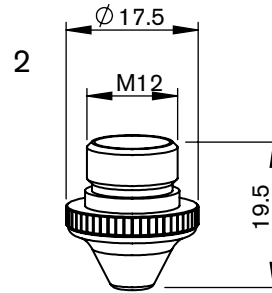
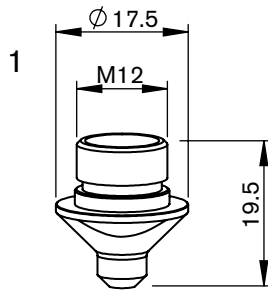
(Continued on next page)

\*Prima Industrie is a trademark of Prima Industrie S.p.A. Centricut is in no way directly or indirectly affiliated with Prima Industrie S.p.A. All parts are made by or for Centricut and are compatible with listed Prima Industrie product. Centricut is a registered trademark of Hypertherm, Inc.

## Consumables

	Esse A part number	Centricut part number	Reference number	Description	Pkg qty
4	L1442X	PR422-0682	LW6.1G.682	PR-Nozzle double pentagonal, 1.25 mm CP	1
	L1443X	PR422-0683	LW6.1G.683	PR-Nozzle double pentagonal, 1.5 mm CP	1
	L1444X	PR422-0684	LW6.1G.684	PR-Nozzle double pentagonal, 1.75 mm CP	1
	L1445X	PR422-0685	LW6.1G.685	PR-Nozzle double pentagonal, 2.0 mm CP	1
	L1447X	PR422-0687	LW6.1G.687	PR-Nozzle double pentagonal, 2.5 mm CP	1
	L1449X	PR422-0689	LW6.1G.689	PR-Nozzle double pentagonal, 3.0 mm CP	1
	L1468	PR422-0803	LW6.1G.803	PR-Nozzle double brilliant, 5.0 mm	1
5	L1453X	PR422-0627	LW6.1G.627	PR-Nozzle triple pentagonal, 1.25 mm CP	1
	L1454X	PR422-0620	LW6.1G.620	PR-Nozzle triple pentagonal, 1.5 mm CP	1
	L1455X	PR422-0621	LW6.1G.621	PR-Nozzle triple pentagonal, 1.75 mm CP	1
	L1456X	PR422-0622	LW6.1G.622	PR-Nozzle triple pentagonal, 2.0 mm CP	1
	L1458X	PR422-0624	LW6.1G.624	PR-Nozzle triple pentagonal, 2.5 mm CP	1
	L1460X	PR422-0626	LW6.1G.626	PR-Nozzle triple pentagonal, 3.0 mm CP	1
6	L1478X	PR422-0700	LW6.1G.700	PR-Nozzle pentagonal cyl, 2.0 mm CP	1
	L1479X	PR422-0701	LW6.1G.701	PR-Nozzle pentagonal cyl, 2.5 mm CP	1
7	L1837X	PR422-0522CP	LW6.1G.522a	PR-Nozzle pentagonal DL, 3.0 mm inner/ 4.5 mm CP	1
8	L1838X	PR422-0524CP	LW6.1G.524	PR-Nozzle pentagonal, 3.0 mm DL CP	1

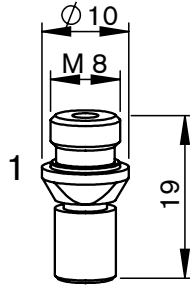
\*Prima Industrie is a trademark of Prima Industrie S.p.A. Centricut is in no way directly or indirectly affiliated with Prima Industrie S.p.A. All parts are made by or for Centricut and are compatible with listed Prima Industrie product. Centricut is a registered trademark of Hypertherm, Inc.



**Consumables**

	Esse A part number	Centricut part number	Reference number	Description	Pkg qty
1	L892	PR398-550	750.42.550	PR-Nozzle, 1.5 mm	1
	L893	PR398-551	750.42.551	PR-Nozzle, 2.0 mm	1
	L894	PR398-552	750.42.552	PR-Nozzle, 2.5 mm	1
	L895	PR398-0004	750.42.553	PR-Nozzle, 3.0 mm	1
2	L1239X	PR421-111CP	520.17.111	PR-Nozzle double, 1.5 mm CP	1
	L1241X	PR421-560CP	750.43.560	PR-Nozzle double, 2.5 mm CP	1
	L1242X	PR421-561CP	750.43.561	PR-Nozzle double, 3.0 mm CP	1
	AL259	PR421-720 (not shown)	1058.36520.720	PR-Lens gasket	1

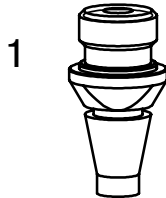
\*Prima Industrie is a trademark of Prima Industrie S.p.A. Centricut is in no way directly or indirectly affiliated with Prima Industrie S.p.A. All parts are made by or for Centricut and are compatible with listed Prima Industrie product. Centricut is a registered trademark of Hypertherm, Inc.



Consumables

	Esse A part number	Centricut part number	Reference number	Description	Pkg qty
1	L3070	PR331-4102X	490.76.102	PR-Nozzle cylindrical, 0.3 mm brass (10 pk)	10
	L3054	PR331-3321BX	485.73.321	PR-Nozzle cylindrical, 1.5 mm brass (10 pk)*	10
	L30419	PR331-3321CX		PR-Nozzle cylindrical, 1.5 mm copper (10 pk)	10
	L3055	PR331-3322BX	485.73.322	PR-Nozzle cylindrical, 2.0 mm brass (10 pk)	10
	L30420	PR331-322CX		PR-Nozzle cylindrical, 2.0 mm copper (10 pk)	10
	L30204	PR331-3323BX	485.73.323	PR-Nozzle cylindrical, 2.5 mm brass (10 pk)	10
	L30421	PR331-3323CX		PR-Nozzle cylindrical, 2.5 mm copper (10 pk)	10
	L30205	PR331-3324BX	485.73.324	PR-Nozzle cylindrical, 3.0 mm brass (10 pk)	10
	L30419X	PR331-0321CCPX	485.73.421	PR-Nozzle, 1.5 mm CP (10 pk)*	10
	L30420X	PR331-322CCPX	485.73.422	PR-Nozzle, 2.0 mm CP (10 pk)*	10
	L30421X	PR331-3323CCPX	485.73.423	PR-Nozzle, 2.5 mm CP (10 pk)*	10
	L30422X	PR331-3324CPX	485.73.424	PR-Nozzle, 3.0 mm CP (10 pk)	10

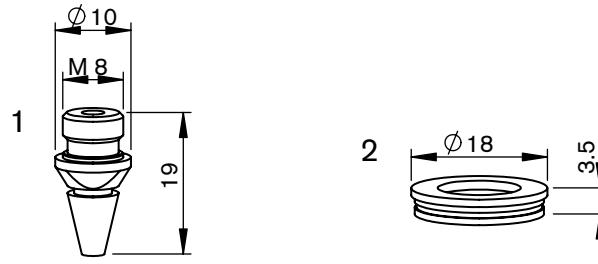
\* Centricut parts available in single packs. To order single packs, remove the 'X' at the end of the part number (e.g. AM123-4567X would be AM123-4567).  
For Esse A parts available in single packs. To order single packs, remove the '30' after the L in the part number (e.g. L301401X would be L401X).



Consumables

	Esse A part number	Centricut part number	Reference number	Description	Pkg qty
1	L301231X	PR393-3455CPX	485.73.455	PR-Nozzle con-cyl, 0.3 mm CP (10 pk)	10
	L301235X	PR393-3451CPX	485.73.451	PR-Nozzle con-cyl, 1.5 mm CP (10 pk)*	10
	L301236	PR393-3452X	485.73.452	PR-Nozzle con-cyl, 2.0 mm (10 pk)*	10
	L301236X	PR393-3452CPX	485.73.452	PR-Nozzle con-cyl, 2.0 mm CP (10 pk)*	10
	L301237X	PR393-3453CPX	485.73.453	PR-Nozzle con-cyl, 2.5 mm CP (10 pk)*	10
	L301238X	PR393-3454CPX <b>NEW</b>	485.73.454	PR-Nozzle con-cyl, 3.0 mm CP (10 pk)	10

\* Centricut parts available in single packs. To order single packs, remove the 'X' at the end of the part number (e.g. AM123-4567X would be AM123-4567).  
For Esse A parts available in single packs. To order single packs, remove the '30' after the L in the part number (e.g. L301401X would be L401X).



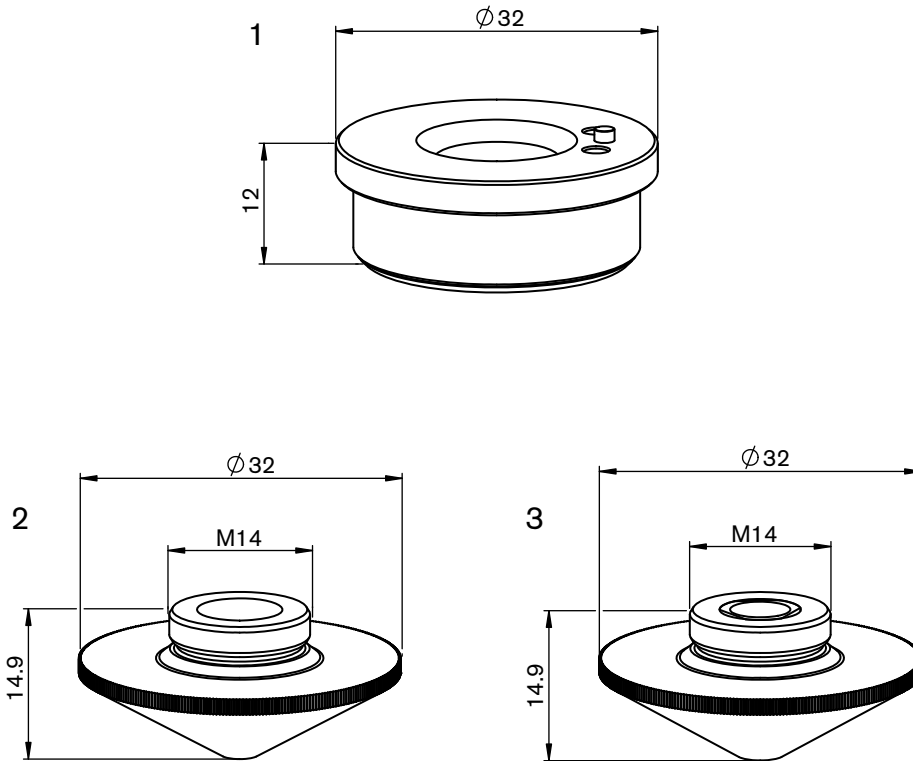
## Consumables

	Esse A part number	Centricut part number	Reference number	Description	Pkg qty
1	L30206	PR357-331BX	485.73.331	PR-Nozzle conical, 1.5 mm brass (10 pk)	10
	L3057	PR357-333BX	485.73.333	PR-Nozzle conical, 2.0 mm brass (10 pk)	10
	L30425	PR357-333CX		PR-Nozzle conical, 2.0 mm copper (10 pk)*	10
	L30449	PR357-0005X	485.73.333	PR-Nozzle conical, 2.5 mm brass (10 pk)	10
	L30427	PR357-0006X		PR-Nozzle conical, 2.5 mm copper (10 pk)	10
	L30630	PR357-0007X	485.73.43	PR-Nozzle conical, 3.0 mm copper (10 pk)	10
	L30424X	PR357-331CCPX	485.73.431	PR-Nozzle, 1.5 mm CP (10 pk)*	10
	L30425X	PR357-322CCPX	485.73.433	PR-Nozzle, 2.0 mm CP (10 pk)	10
	L30427X	PR357-0006CPX		PR-Nozzle, 2.5 mm CP (10 pk)	10
	L30630X	PR357-0007CPX	485.73.43X	PR-Nozzle, 3.0 mm CP (10 pk)	10
2	AL163	PR395-0002		PR-Insulating ring 7.5" Plastic	1
	AL571	PR395-0003	520.17.120	PR-Protection ring 11MM	1
	AL136	PR395-0001 (not shown)	480.73.107	PR-Insulating ring 5" Plastic	1

\* Centricut parts available in single packs. To order single packs, remove the 'X' at the end of the part number (e.g. AM123-4567X would be AM123-4567).  
For Esse A parts available in single packs. To order single packs, remove the '30' after the L in the part number (e.g. L301401X would be L401X).

## Consumables

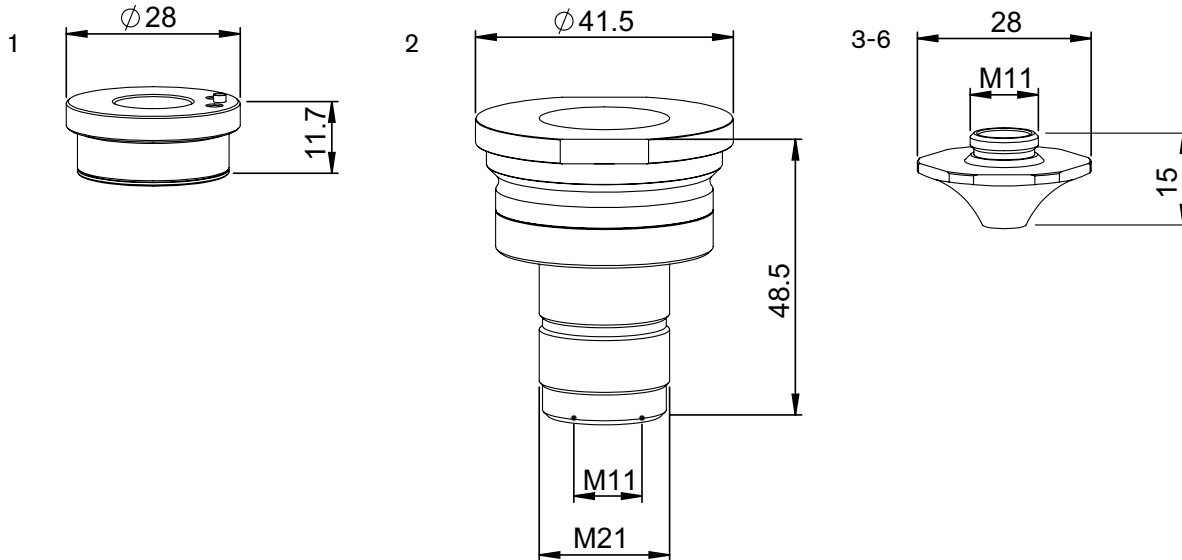
	Esse A part number	Centricut part number	Reference number	Description	Pkg qty
	AL628	PR361-3151 <b>NEW</b> (not shown)	820.63.150	PR-Sensor cable, 150 mm (6") High profile	1
	AL560	PR361-3160 (not shown)	555.63.150	PR-Sensor cable, 210 mm (8 17/64")	1



Consumables

	Esse A part number	Centricut part number	Reference number	Description	Pkg qty
1	AL581	RT120-4100	120274100B	RT-Nozzle holder M14 original	1
2	L0510	RT120-0510	120GJT0510	RT-Nozzle conical M14, 1.0 mm original	1
	L0512	RT120-0512	120GJT0512	RT-Nozzle conical M14, 1.2 mm original	1
	L0515	RT120-0515	120GJT0515	RT-Nozzle conical M14, 1.5 mm original	1
	L0520	RT120-0520	120GJT0520	RT-Nozzle conical M14, 2.0 mm original	1
	L0525	RT120-0525	120GJT0525	RT-Nozzle conical M14, 2.5 mm original	1
	L0530	RT120-0530	120GJT0530	RT-Nozzle conical M14, 3.0 mm original	1
	L0535	RT120-0535	120GJT0535	RT-Nozzle conical M14, 3.5 mm original	1
	L0540	RT120-0540	120GJT0540	RT-Nozzle conical M14, 4.0 mm original	1
	L0545	RT120-0545	120GJT0545	RT-Nozzle conical M14, 4.5 mm original	1
	L0550	RT120-0550	120GJT0550	RT-Nozzle conical M14, 5.0 mm original	1
3	L0610	RT120-0610	120GJT0610	RT-Nozzle double conical M14, 1.0 mm CP original	1
	L0612	RT120-0612	120GJT0612	RT-Nozzle double conical M14, 1.2 mm CP original	1
	L0615	RT120-0615	120GJT0615	RT-Nozzle double conical M14, 1.5 mm CP original	1
	L0620	RT120-0620	120GJT0620	RT-Nozzle double conical M14, 2.0 mm CP original	1
	L0625	RT120-0625	120GJT0625	RT-Nozzle double conical M14, 2.5 mm CP original	1
	L0630	RT120-0630	120GJT0630	RT-Nozzle double conical M14, 3.0 mm CP original	1
	L0635	RT120-0635	120GJT0635	RT-Nozzle double conical M14, 3.5 mm CP original	1
	L0640	RT120-0640	120GJT0640	RT-Nozzle double conical M14, 4.0 mm CP original	1
	L0645	RT120-0645	120GJT0645	RT-Nozzle double conical M14, 4.5 mm CP original	1
	L0650	RT120-0650	120GJT0650	RT-Nozzle double conical M14, 5.0 mm CP original	1

\*Raytools is a trademark of Shanghai Empower Technologies Co, Ltd. Centricut is in no way directly or indirectly affiliated with Shanghai Empower Technologies Co, Ltd. All parts are made by or for Centricut and are compatible with listed Raytools product. Centricut is a registered trademark of Hypertherm, Inc.



## Consumables

	Esse A part number	Centricut part number	Reference number	Description	Pkg qty
1	AL199A	RT120-099A	120515099A	RT-M11 NOZZLE HOLDER ORIGINAL PART	1
2	AL089A	RT120-089A	120515089A	RT-M11 CERAMIC BODY ORIGINAL PART	1
3	L0112	RT120-7112 <b>NEW</b>	120GJT7112	RT-M11 SINGLE NOZZLE 1,2mm ORIGINAL PART	1
	L0113	RT120-7113 <b>NEW</b>	120GJT7113	RT-M11 SINGLE NOZZLE 1,3mm ORIGINAL PART	1
	L0114	RT120-7114 <b>NEW</b>	120GJT7114	RT-M11 SINGLE NOZZLE 1,4mm ORIGINAL PART	1
	L0115	RT120-7115 <b>NEW</b>	120GJT7115	RT-M11 SINGLE NOZZLE 1,5mm ORIGINAL PART	1
	L0116	RT120-7116 <b>NEW</b>	120GJT7116	RT-M11 SINGLE NOZZLE 1,6mm ORIGINAL PART	1
	L0118	RT120-7118 <b>NEW</b>	120GJT7118	RT-M11 SINGLE NOZZLE 1,8mm ORIGINAL PART	1
	4	L0710	RT120-7210	120GJT7210	RT-M11 DOUBLE NOZZLE 1,0mm ORIGINAL PART
L0712		RT120-7212	120GJT7212	RT-M11 DOUBLE NOZZLE 1,2mm ORIGINAL PART	1
L0713		RT120-7213	120GJT7213	RT-M11 DOUBLE NOZZLE 1,3mm ORIGINAL PART	1
L0714		RT120-7214	120GJT7214	RT-M11 DOUBLE NOZZLE 1,4mm ORIGINAL PART	1
L0716		RT120-7216	120GJT7216	RT-M11 DOUBLE NOZZLE 1,6mm ORIGINAL PART	1
L0718		RT120-7218	120GJT7218	RT-M11 DOUBLE NOZZLE 1,8mm ORIGINAL PART	1
L0720		RT120-7220	120GJT7220, 120AU3620A	RT-M11 DOUBLE NOZZLE 2,0mm ORIGINAL PART	1
L0725		RT120-7225	120GJT7225, 120AU3625A	RT-M11 DOUBLE NOZZLE 2,5mm ORIGINAL PART	1
L0730		RT120-7230	120GJT7230, 120AU3630A	RT-M11 DOUBLE NOZZLE 3,0mm ORIGINAL PART	1
L0735		RT120-7235	120GJT7235, 120AU3635A	RT-M11 DOUBLE NOZZLE 3,5mm ORIGINAL PART	1
L0740		RT120-7240	120GJT7240, 120AU3640A	RT-M11 DOUBLE NOZZLE 4,0mm ORIGINAL PART	1
L0750	RT120-7250	120GJT7250	RT-M11 DOUBLE NOZZLE 5,0mm ORIGINAL PART	1	
5	L0816	RT120-8116	120GJT8116	RT-M11 SINGLE NOZZLE BOOST 1,6mm ORIGINAL PART	1
	L0818	RT120-8118	120GJT8118	RT-M11 SINGLE NOZZLE BOOST 1,8mm ORIGINAL PART	1
	L0820	RT120-8120	120GJT8120	RT-M11 SINGLE NOZZLE BOOST 2,0mm ORIGINAL PART	1
	L0825	RT120-8125	120GJT8125	RT-M11 SINGLE NOZZLE BOOST 2,5mm ORIGINAL PART	1
	L0830	RT120-8130	120GJT8130	RT-M11 SINGLE NOZZLE BOOST 3,0mm ORIGINAL PART	1
	L0840	RT120-8140	120GJT8140	RT-M11 SINGLE NOZZLE BOOST 4,0mm ORIGINAL PART	1
	L0850	RT120-8150	120GJT8150	RT-M11 SINGLE NOZZLE BOOST 5,0mm ORIGINAL PART	1
	L0860	RT120-8160	120GJT8160	RT-M11 SINGLE NOZZLE BOOST 6,0mm ORIGINAL PART	1
L0870	RT120-8170	120GJT8170	RT-M11 SINGLE NOZZLE BOOST 7,0mm ORIGINAL PART	1	

(Continued on next page)

\*Raytools is a trademark of Shanghai Empower Technologies Co, Ltd. Centricut is in no way directly or indirectly affiliated with Shanghai Empower Technologies Co, Ltd. All parts are made by or for Centricut and are compatible with listed Raytools product. Centricut is a registered trademark of Hypertherm, Inc.

## Consumables

	Esse A part number	Centricut part number	Reference number	Description	Pkg qty
6	LOV12	RT120-5112	120GJT5112	RT-M11 Single nozzle 1.2 Hex Boost ORIGINAL PART	1
	LOV13	RT120-5113	120GJT5113	RT-M11 Single nozzle 1.3 Hex Boost ORIGINAL PART	1
	LOV15	RT120-5115	120GJT5115	RT-M11 Single nozzle 1.5 Hex Boost ORIGINAL PART	1
	LOV17	RT120-5117	120GJT5117	RT-M11 Single nozzle 1.7 Hex Boost ORIGINAL PART	1
	LOV21	RT120-5121	120GJT5121	RT-M11 Single nozzle 2.1 Hex Boost ORIGINAL PART	1
	LOV25	RT120-5125	120GJT5125	RT-M11 Single nozzle 2.5 Hex Boost ORIGINAL PART	1

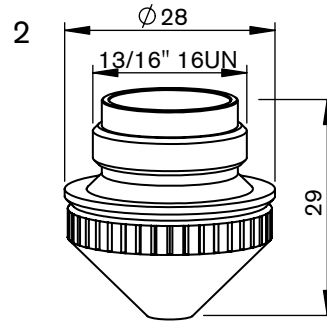
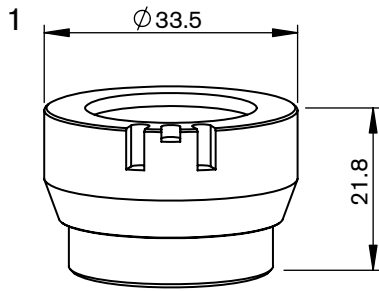
## Consumables

	Esse A part number	Centricut part number	Reference number	Description	Pkg qty
1	AL008B	RT120-2008	120572008B	RT-M8 3D CERAMIC D19,5 NOZZLE HOLDER ORIGINAL PART	1
2	AL093A	RT120-5093	120515093A	RT-M8 3D CERAMIC D21,4 NOZZLE HOLDER ORIGINAL PART	1
3	L0910	RT120-0910	120GJT0910	RT-M8 3D SINGLE NOZZLE 1,0mm ORIGINAL PART	1
	L0912	RT120-0912	120GJT0912	RT-M8 3D SINGLE NOZZLE 1,2mm ORIGINAL PART	1
	L0915	RT120-0915	120GJT0915	RT-M8 3D SINGLE NOZZLE 1,5mm ORIGINAL PART	1
	L0920	RT120-0920	120GJT0920	RT-M8 3D SINGLE NOZZLE 2,0mm ORIGINAL PART	1
	L0925	RT120-0925	120GJT0925	RT-M8 3D SINGLE NOZZLE 2,5mm ORIGINAL PART	1
	L0930	RT120-0930	120GJT0930	RT-M8 3D SINGLE NOZZLE 3,0mm ORIGINAL PART	1
	L0935	RT120-0935	120GJT0935	RT-M8 3D SINGLE NOZZLE 3,5mm ORIGINAL PART	1
	L0940	RT120-0940	120GJT0940	RT-M8 3D SINGLE NOZZLE 4,0mm ORIGINAL PART	1
4	L0208	RT120-0208	120GJT0208	RT-M8 3D DOUBLE NOZZLE 0,80mm CP ORIGINAL PART	1
	L0210	RT120-0210	120GJT0210	RT-M8 3D DOUBLE NOZZLE 1,0mm CP ORIGINAL PART	1
	L0212	RT120-0212	120GJT0212	RT-M8 3D DOUBLE NOZZLE 1,2mm CP ORIGINAL PART	1
	L0215	RT120-0215	120GJT0215	RT-M8 3D DOUBLE NOZZLE 1,5mm CP ORIGINAL PART	1
	L0220	RT120-0220	120GJT0220	RT-M8 3D DOUBLE NOZZLE 2,0mm CP ORIGINAL PART	1
	L0225	RT120-0225	120GJT0225	RT-M8 3D DOUBLE NOZZLE 2,5mm CP ORIGINAL PART	1
	L0230	RT120-0230	120GJT0230	RT-M8 3D DOUBLE NOZZLE 3,0mm CP ORIGINAL PART	1
	L0235	RT120-0235	120GJT0235	RT-M8 3D DOUBLE NOZZLE 3,5mm CP ORIGINAL PART	1
L0240	RT120-0240	120GJT0240	RT-M8 3D DOUBLE NOZZLE 4,0mm CP ORIGINAL PART	1	

## Consumables

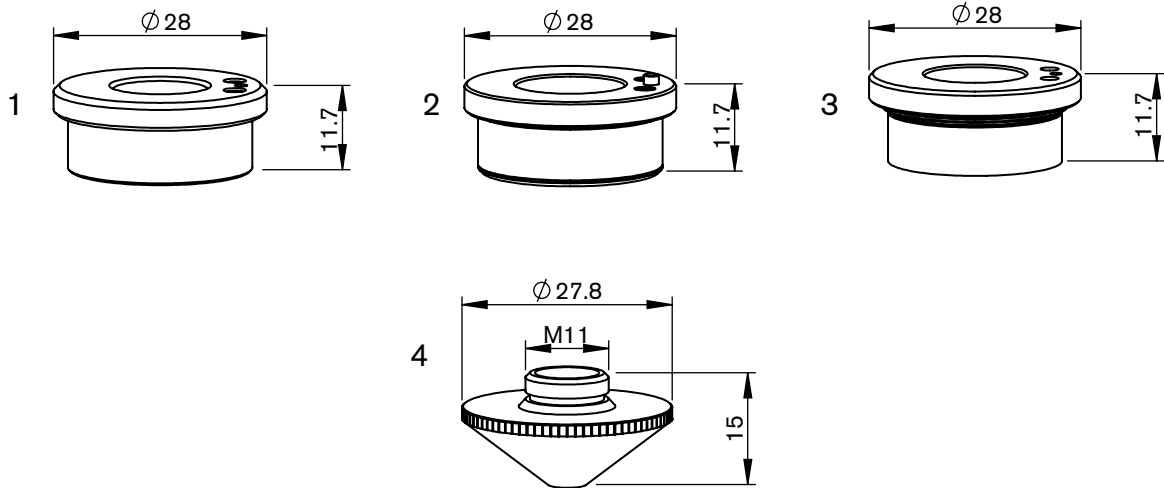
	Esse A part number	Centricut part number	Reference number	Description	Pkg qty
	PW0022II		211LCG0020	RT- Cover glass D24.9x1.5 ORIGINAL PART	1
	PW0023II		211LCG0037	RT- Cover glass D27.9x 4.1 ORIGINAL PART	1
	PW0031II	RT120-0068	211LCG0068	RT- Cover glass D30.0x5.0 4KW ORIGINAL PART	1
	PW0024II	RT120-0076	211LCG0076	RT- Cover glass D38.1x1.6 ORIGINAL PART	1
	PW0027II	RT120-0004	211LCG0078 - 110255IAG0004	RT- Cover glass D37x7.0 ORIGINAL PART	1
	PW0029II		211LCG0045	RT- Cover glass D37x1.6 ORIGINAL PART	1
	PW0030II	RT120-0086	211LCG0086	RT- Cover glass D24.9x1.5 15kw ORIGINAL PART	1

\*Raytools is a trademark of Shanghai Empower Technologies Co, Ltd. Centricut is in no way directly or indirectly affiliated with Shanghai Empower Technologies Co, Ltd. All parts are made by or for Centricut and are compatible with listed Raytools product. Centricut is a registered trademark of Hypertherm, Inc.


**Consumables**

	Esse A part number	Centricut part number	Reference number	Description	Pkg qty
1	AL130/S	PT311-1146 <b>Recommended</b>	281146, P0380-211-00001, 29100033	PT-Nozzle holder ITM 1.5" DZ	1
	AL130	PT311-1146OEM	281146, P0380-211-00001, 29100033	PT-Nozzle holder ITM 1.5" DZ OEM	1
2	L375	SA365-01A4	141301A4, 146331A4	SA-Nozzle, 1.0 mm	1
	L376	SA365-30A4	146330A4	SA-Nozzle, 1.25 mm	1
	L377	SA365-97A4	146329A4,142321A4	SA-Nozzle, 1.5 mm	1
	L378	SA365-98A4	146328A4	SA-Nozzle, 1.75 mm	1
	L379	SA365-99A4	146327A4, 142322A4	SA-Nozzle, 2.0 mm	1
	L381	SA365-25A4	146326A4, 142323	SA-Nozzle, 2.25 mm	1
	L380	SA365-26A4	146325A4, 142324A4	SA-Nozzle, 2.5 mm	1
	L888	SA365-24A4	146324A4	SA-Nozzle, 2.75 mm	1
	L889	SA365-23A4	146323A4	SA-Nozzle, 3.0 mm	1
	L376X	SA365-30A4CP	146330A4	SA-Nozzle, 1.25 mm CP	1
	L377X	SA365-97A4CP	146329A4	SA-Nozzle, 1.5 mm CP	1
	L378X	SA365-98A4CP	146328A4	SA-Nozzle, 1.75 CP	1
	L379X	SA365-99A4CP	146327A4	SA-Nozzle, 2.0 mm CP	1

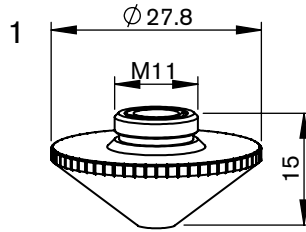
\*Salvagnini is a trademark of Salvagnini Italia SPA. Centricut is in no way directly or indirectly affiliated with Salvagnini Italia SPA. All parts are made by or for Centricut and are compatible with listed Salvagnini product. Centricut is a registered trademark of Hypertherm, Inc.



## Consumables

	Esse A part number	Centricut part number	Reference number	Description	Pkg qty
1	AL495	PT348-1052 <b>Recommended</b>	P0571-1051-00001, 6930281333, 055456	PT-Nozzle holder KT B2" Con	1
	AL380	PT348-1053	P0571-1051-00001, 6930281333, 055456	PT-Nozzle holder KT B2 Con	1
	AL355	PT348-1051 <b>OEM original</b>	P0571-1051-00001, 6930281333, 055456	PT-Nozzle holder KT B2" Con	1
2	AL131	PT348-1330 <b>Recommended</b>		PT-Nozzle holder KT B2	1
	AL421	PT348-0260	281330, P0571-260-00001, 6930281330	PT-Nozzle holder KT B2	1
	AL23	PT348-1330OEM <b>OEM original</b>	281330, P0571-260-00001, 6930281330	PT-Nozzle holder KT B2	1
3	AL331	PT348-1330C	281330, P0571-260-00001, 6930281330	PT-Nozzle holder, ceramic	1
4	L30935	PT345-0008X	P0591-673-00008	PT-Nozzle HD, 0.8 mm (10 pk)*	10
	L30234	PT345-1548X	281548, P0591-571-00010, MX-0860, R26RT006270, 29100233	PT-Nozzle HD, 1.0 mm (10 pk)*	10
	L30235	PT345-1549X	281549, P0591-572-00012, MX-0861, 6930281549, 29100234	PT-Nozzle HD, 1.2 mm (10 pk)*	10
	L30236	PT345-1463X	281463, P0591-573-00015, MX-0862, 29100235	PT-Nozzle HD, 1.5 mm (10 pk)*	10
	L30237	PT345-0001X	P0591-574-00018, MX-0863, Z50ZZ015410, 29100236	PT-Nozzle HD, 1.8 mm (10 pk)*	10
	L30238	PT345-1550X	281550, P0591-575-00020, MX-0864, Z50ZZ015420, 055478, 29100237	PT-Nozzle HD, 2.0 mm (10 pk)*	10
	L30239	PT345-0003X	P0591-574-00023, 29100238, P40-003805-006	PT-Nozzle HD, 2.3 mm (10 pk)*	10
	L30240	PT345-1551X	281551, P0591-576-00025, MX-0865, 055479, 29100239, P40-003805-007	PT-Nozzle HD, 2.5 mm (10 pk)*	10
	L30936	PT345-1552X	281552, P40-003805-008	PT-Nozzle HD, 2.75 mm (10 pk)*	10
	L30241	PT345-0002X	MX-0866, Z50ZZ015440, 29100241, P40-003805-009	PT-Nozzle HD, 3.0 mm (10 pk)*	10
	L30827	PT345-0006X	29100243, P40-003805-011	PT-Nozzle HD, 3.5 mm (10 pk)*	10
	L30828	PT345-0004X	Z50ZZ015460, P40-003805-012, P0591-578-00040	PT-Nozzle HD, 4.0 mm (10 pk)*	10
	L30829	PT345-0007X		PT-Nozzle HD, 4.5 mm (10 pk)*	10
	L30234X	PT345-1548CPX	281548, P0591-571-00010	PT-Nozzle HD, 1.0 mm CP (10 pk)*	10
	L30235X	PT345-1549CPX	281549, P0591-572-00012	PT-Nozzle HD, 1.2 mm CP (10 pk)*	10
	L30236X	PT345-1463CPX	281463, P0591-573-00015	PT-Nozzle HD, 1.5 mm CP (10 pk)*	10
	L30237X	PT345-0001CPX	281353, P0591-574-00018	PT-Nozzle HD, 1.8 mm CP (10 pk)*	10
	L30238X	PT345-1550CPX	281550, P0591-575-00020	PT-Nozzle HD, 2.0 mm CP (10 pk)*	10
	L30240X	PT345-1551CPX	281551, P0591-576-00025	PT-Nozzle HD, 2.5 mm CP (10 pk)*	10
	L30241X	PT345-0002CPX	281354, P0591-577-00030	PT-Nozzle HD, 3.0 mm CP (10 pk)*	10
	L30828X	PT345-0004CPX		PT-Nozzle HD, 4.0 mm CP (10 pk)*	10

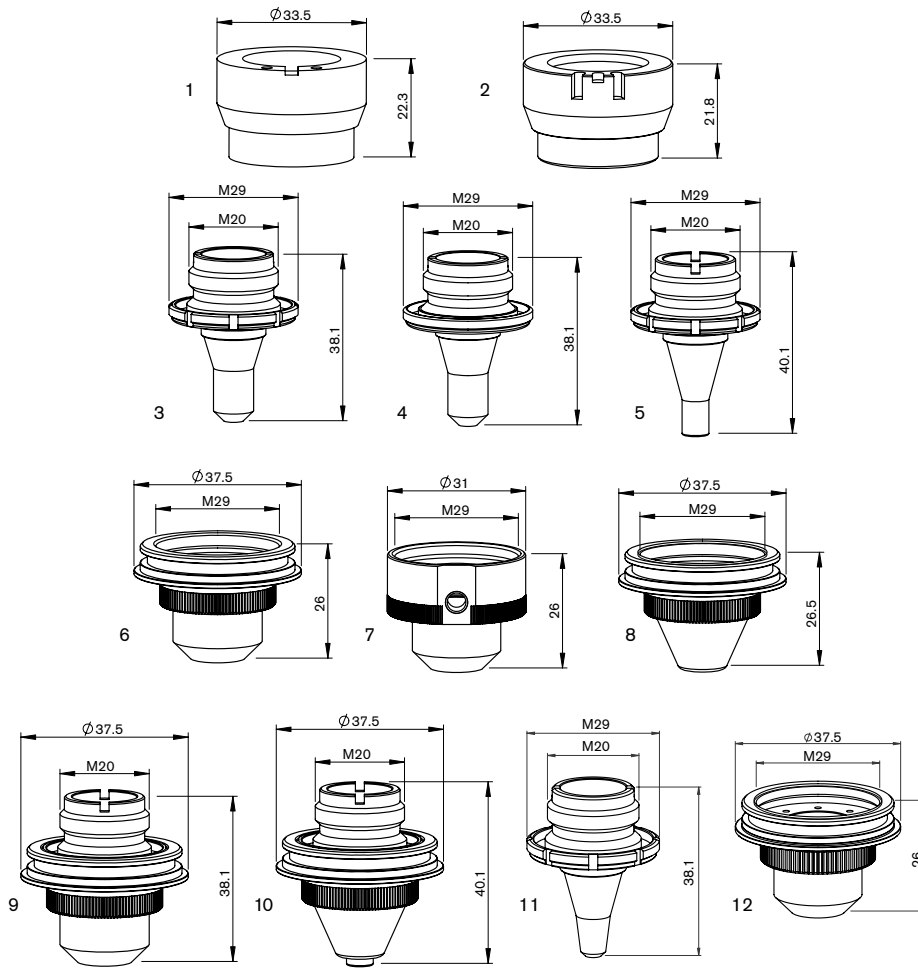
\* Centricut parts available in single packs. To order single packs, remove the 'X' at the end of the part number (e.g. AM123-4567X would be AM123-4567).  
For Esse A parts available in single packs. To order single packs, remove the '30' after the L in the part number (e.g. L301401X would be L401X).



## Consumables

Esse A part number	Centricut part number	Reference number	Description	Pkg qty
L30660	PT358-0010X	P40-008038-001, P0591-002-00010	PT-Nozzle double, 1.0 mm/inner 1.5 mm (10 pk)*	10
L30661	PT358-0125X	P40-008038-002, P0591-002-00012	PT-Nozzle double, 1.2 mm/inner 1.5 mm (10 pk)*	10
L30662	PT358-0015X	P40-008038-003, P0591-002-00015	PT-Nozzle double, 1.5 mm /inner 1.5 mm (10 pk)*	10
L30663	PT358-0018X	P40-008038-004, P0591-002-00018	PT-Nozzle double, 1.8 mm/inner 1.5 mm (10 pk)*	10
L30664	PT358-0020X	P40-008038-005, P0591-002-00020	PT-Nozzle double, 2.0 mm/inner 1.5 mm (10 pk)*	10
L30665	PT358-0023X	P40-008038-006, P0591-002-00023	PT-Nozzle double, 2.3 mm/inner 1.5 mm (10 pk)*	10
L30666	PT358-0007X	P40-008038-007, P0591-002-00025	PT-Nozzle double, 2.5 mm/inner 1.5 mm (10 pk)*	10
L30667	PT358-0030X	P40-008038-008, P0591-002-00030, 29100382	PT-Nozzle double, 3.0 mm/inner 1.5 mm (10 pk)*	10
L30668	PT358-0035X	P40-008038-009, P0591-002-00035, 29100384	PT-Nozzle double, 3.5 mm/inner 1.5 mm (10 pk)*	10
L30660X	PT358-0010CPX		PT-Nozzle double, 1.0 mm/inner 1.5 mm CP (10 pk)*	10
L30661X	PT358-0125CPX		PT-Nozzle double, 1.2 mm/inner 1.5 mm CP (10 pk)*	10
L30662X	PT358-0015CPX		PT-Nozzle double, 1.5 mm/inner 1.5 mm CP (10 pk)*	10
L30663X	PT358-0018CPX		PT-Nozzle double, 1.8 mm/inner 1.5 mm CP (10 pk)*	10
L30664X	PT358-0020CPX		PT-Nozzle double, 2.0 mm/inner 1.5 mm CP (10 pk)*	10
L30666X	PT358-0025CPX		PT-Nozzle double, 2.5 mm/inner 1.5 mm CP (10 pk)*	10
L30667X	PT358-0030CPX		PT-Nozzle double, 3.0 mm/inner 1.5 mm CP (10 pk)*	10
L30668X	PT358-0035CPX		PT-Nozzle double, 3.5 mm/inner 1.5 mm CP (10 pk)*	10

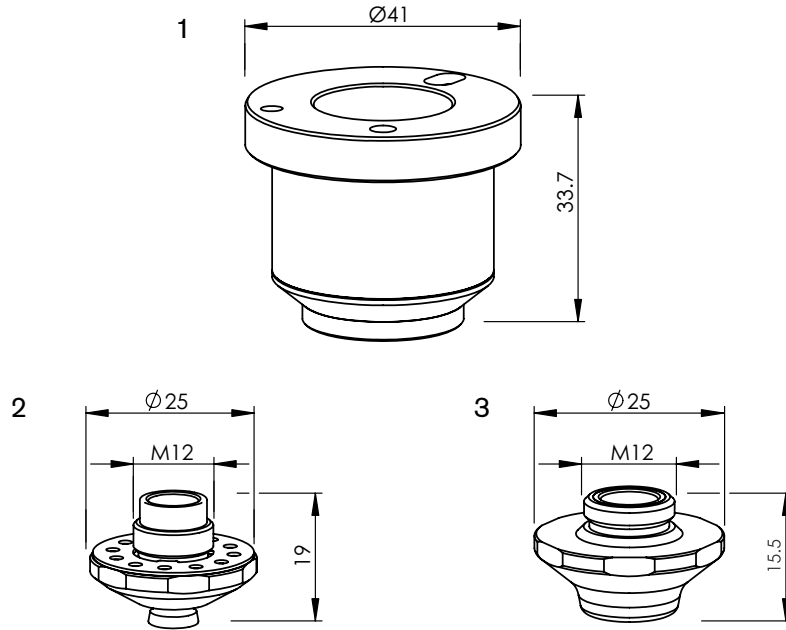
\* Centricut parts available in single packs. To order single packs, remove the 'X' at the end of the part number (e.g. AM123-4567X would be AM123-4567).  
For Esse A parts available in single packs. To order single packs, remove the '30' after the L in the part number (e.g. L301401X would be L401X).



## 1 Consumables

	Esse A part number	Centricut part number	Reference number	Description	Pkg qty
1	AL298	PT311-0298	P0497-68871, P0497-615-00001	PT-Nozzle holder KTM 1.5" DXN, ceramic	1
2	AL130	PT311-1146OEM	281146, P0380-211-00001, 29100033	PT-Nozzle holder ITM 1.5" DZ OEM	1
	AL130/S	PT311-1146	281146, P0380-211-00001, 29100033	PT-Nozzle holder ITM 1.5" DZ	1
3	L1200	TK381-C20E-1	C20E, A546359	TK-Nozzle inner, 2.0 mm	1
	L1201	TK381-C17E-1	C17E-1	TK-Nozzle inner, 1.7 mm	1
4	L1518	TK364-C22D-1	C22D-1	TK-Nozzle inner, 2.2 mm	1
5	L1195	TK381-CZ20B-1	A546363	TK-Nozzle bevel inner, 2.0 mm	1
6	AL283	TK381-C20E-0	C20E	TK-Nozzle outer	1
7	AL381	TK364-C22D-0	C22D-0	TK-Nozzle outer	1
8	AL382	TK381-CZ20B-0		TK-Nozzle bevel outer	1
9	L1205	TK381-C20E-2	C20E, A546563	TK-Nozzle assembly (TK381-C20E-0/AL283 and TK381-C20E-1/L1200)	1
10	L1207	TK381-CZ20B-2	CZ20B-2, A54566	TK-Nozzle assembly (TK381-CZ20B-0/AL382 and TK381-CZ20B-1/L1195)	1
11	L1196 <b>NEW</b>	TK381-CZ12B-1		TK-NOZZLE INNER, 1.2 MM	1
	L1197 <b>NEW</b>	TK381-C15E		TK-NOZZLE INNER, 1.5 MM	1
12	AL656 <b>NEW</b>	TK381-C70E-0		TK-NOZZLE OUTER	1
	L2346	TK354-D40 (not shown)	58020240	TK-Nozzle, 4.0 mm	1
	L2369	TK354-D50 (not shown)	58020250	TK-Nozzle, 5.0 mm	1

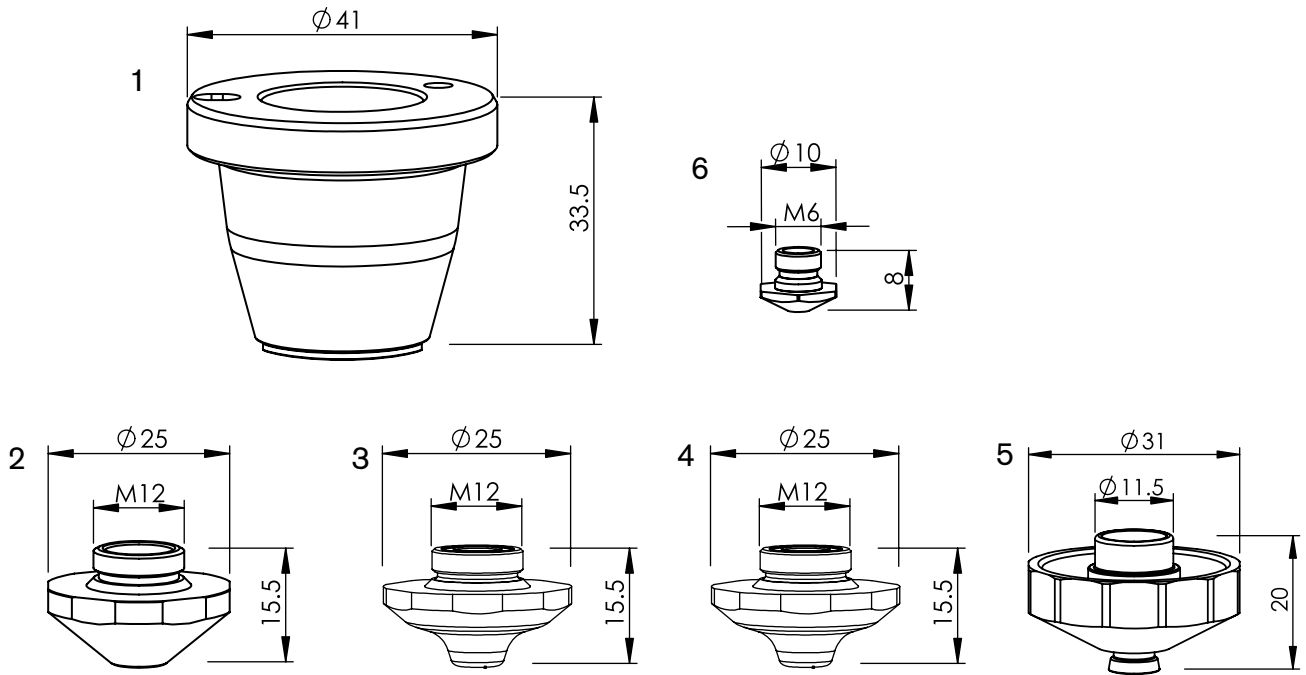
\*Tanaka is a trademark of Nissan Tanaka Corporation. Centricut is in no way directly or indirectly affiliated with Nissan Tanaka Corporation. All parts are made by or for Centricut and are compatible with listed Tanaka product. Centricut is a registered trademark of Hypertherm, Inc.



**Consumables**

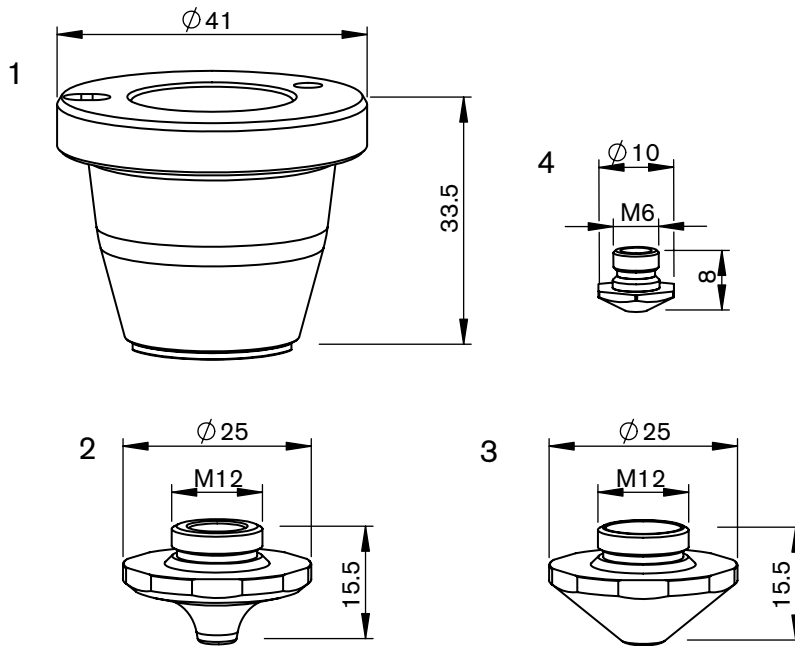
	Esse A part number	Centricut part number	Reference number	Description	Pkg qty
1	AL497	TR407-6032	1906032	TR-Nozzle holder, ceramic	1
2	L1990	TR407-9940	1879940	TR-Nozzle EGL, 1.4 mm	1
	L1991	TR407-9951	1879951	TR-Nozzle EGL, 1.7 mm	1
	L1992	TR407-9952	1879952	TR-Nozzle EGL, 2.0 mm	1
	L1993	TR407-9953	1879953	TR-Nozzle EGL, 2.3 mm	1
	L2305	TR407-1660	2491660	TR-Nozzle double CAU, 10.0 mm	1

\*Trumpf is a trademark of Trumpf SE + Co. KG. Centricut is in no way directly or indirectly affiliated with Trumpf SE + Co. KG. All parts are made by or for Centricut and are compatible with listed Trumpf product. Centricut is a registered trademark of Hypertherm, Inc.


**Consumables**

	Esse A part number	Centricut part number	Reference number	Description	Pkg qty
1	AL410	TR407-5673	1349171, 1755673	TR-Nozzle holder, ceramic	1
2	L501270	TR407-4858X	1324858	TR-Nozzle EAA, 0.8 mm (10 pk)*	10
	L501272	TR407-4860X	1324860	TR-Nozzle EAA, 1.0 mm (10 pk)*	10
	L501273	TR407-4861X	1324861	TR-Nozzle EAA, 1.2 mm (10 pk)*	10
	L501275	TR407-4863X	1324863	TR-Nozzle EAA, 1.4 mm (10 pk)*	10
	L501276	TR407-4864X	1324864	TR-Nozzle EAA, 1.7 mm (10 pk)*	10
	L501270XH	TR407-4858CPHX		TR-Nozzle EAA, 0.8 mm HCP (10 pk)*	10
	L501272XH	TR407-4860CPHX		TR-Nozzle EAA, 1.0 mm HCP (10 pk)*	10
	L501273XH	TR407-4861CPHX		TR-Nozzle EAA, 1.2 mm HCP (10 pk)*	10
	L501275XH	TR407-4863CPHX		TR-Nozzle EAA, 1.4 mm HCP (10 pk)*	10
	L501276XH	TR407-4864CPHX		TR-Nozzle EAA, 1.7 mm HCP (10 pk)*	10
	L501277	TR407-4865X	1324865	TR-Nozzle EAA, 2.0 mm (10 pk)*	10
	L501278	TR407-4866X	1324866	TR-Nozzle EAA, 2.3 mm (10 pk)*	10
	L501279	TR407-4867X	1324867	TR-Nozzle EAA, 2.7 mm (10 pk)*	10
	L501277XH	TR407-4865CPHX		TR-Nozzle EAA, 2.0 mm HCP (10 pk)*	10
	L501278XH	TR407-4866CPHX		TR-Nozzle EAA, 2.3 mm HCP (10 pk)	10
	L501279XH	TR407-4867CPHX		TR-Nozzle EAA, 2.7 mm HCP (10 pk)	10
	3	L2220	TR407-9462	2059462	TR-Nozzle double EAU, 2.5 mm
L2221		TR407-0001	2060001	TR-Nozzle double EAU, 3.0 mm	1
L2223		TR407-0004	2060004	TR-Nozzle double EAU, 4.0 mm	1
L2227		TR407-0025	2060025	TR-Nozzle double EAU, 6.0 mm	1
L2235		TR407-3595	2253595	TR-Nozzle double EAU, 10.0 mm	1
4	L2240	TR407-9549	1579549	TR-Nozzle double EAK, 2.5 mm	1
	L2241	TR407-9556	1579556	TR-Nozzle double EAK, 3.0 mm	1
	L2243	TR407-5747	1835747	TR-Nozzle double EAK, 4.0 mm	1
5	L1800	TR407-4018	1774018	TR-Nozzle EFL, 1.4 mm	1
	L1801	TR407-8745	1838745	TR-Nozzle EFL, 1.7 mm	1
	L1802	TR407-4020	1774020	TR-Nozzle EFL, 2.0 mm	1
	L1803	TR407-4092	1774092	TR-Nozzle EFL, 2.3 mm	1
6	L1700	TR407-9610	1589610	TR-Nozzle Blow off EBM, 2.0 mm	1

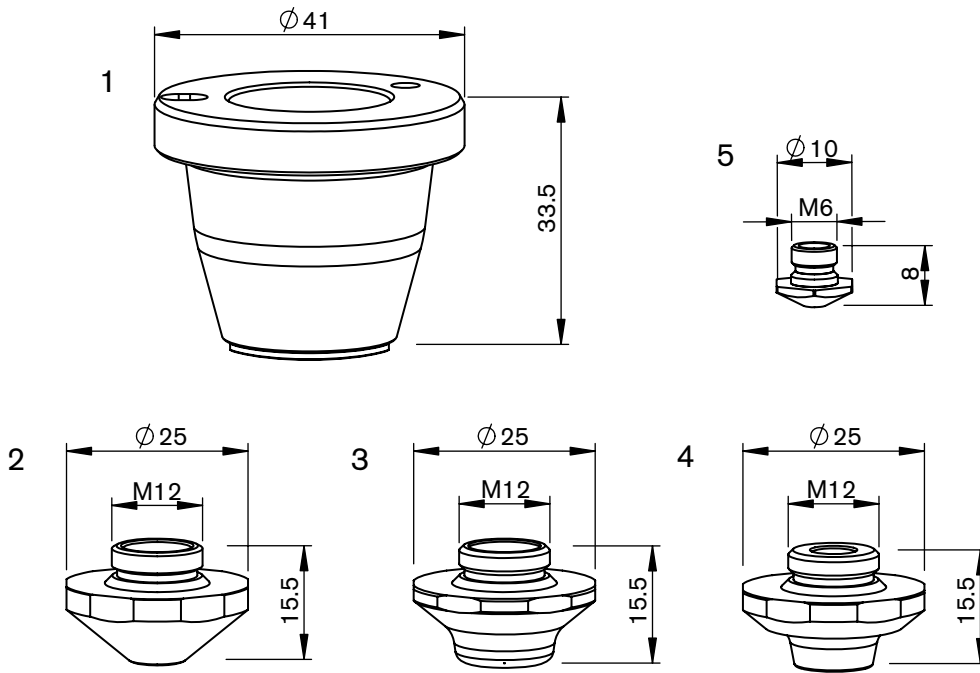
\*Trumpf is a trademark of Trumpf SE + Co. KG. Centricut is in no way directly or indirectly affiliated with Trumpf SE + Co. KG. All parts are made by or for Centricut and are compatible with listed Trumpf product. Centricut is a registered trademark of Hypertherm, Inc.



Consumables

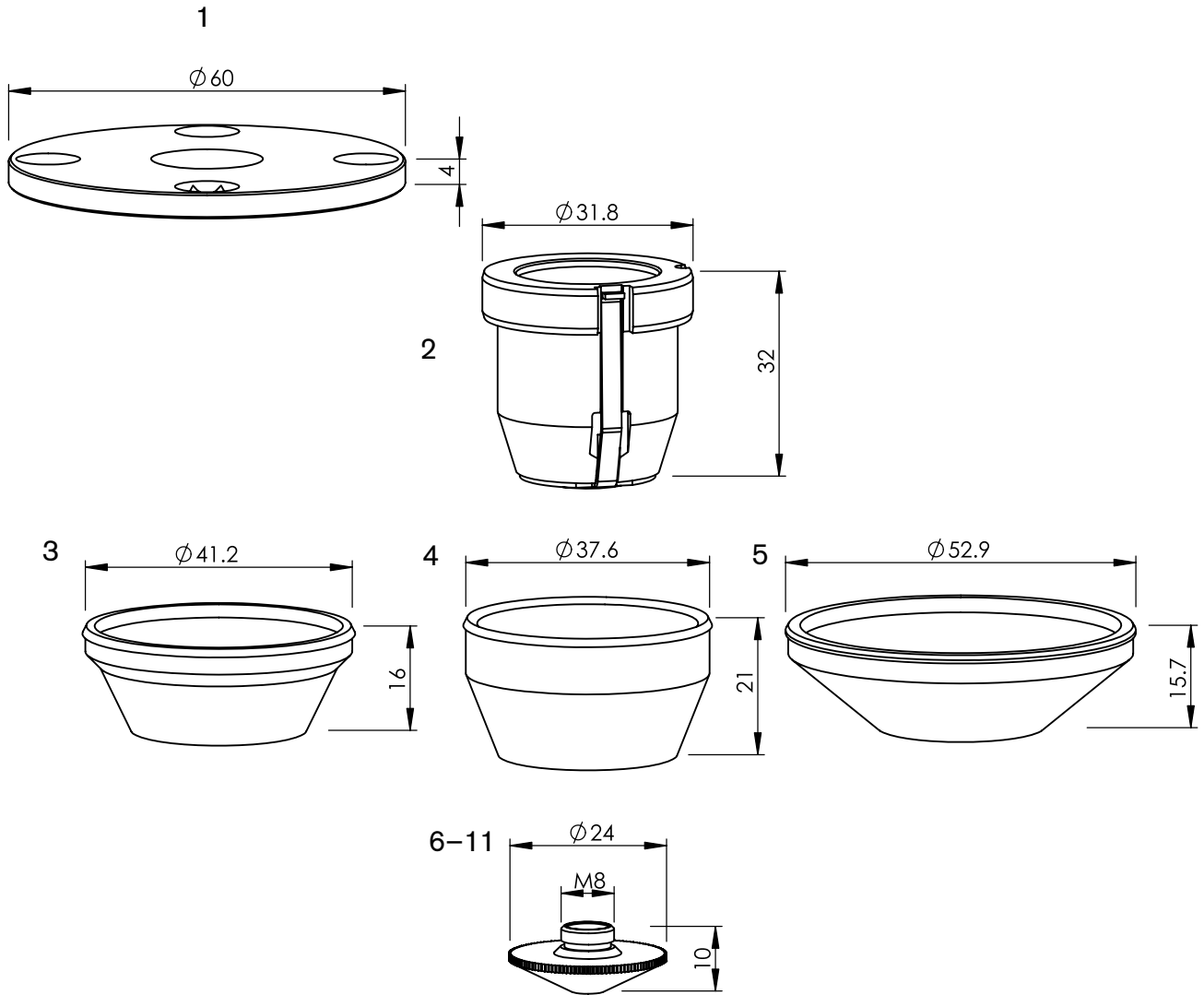
	Esse A part number	Centricut part number	Reference number	Description	Pkg qty
1	AL410	TR407-5673	1349171, 1755673	TR-Nozzle holder, ceramic	1
2	L501500	TR426-3324X	1373324	TR-Nozzle EAB, 0.8 mm (10 pk)	10
	L501501	TR426-3325X	1373325	TR-Nozzle EAB, 1.0 mm (10 pk)	10
	L501502	TR426-3326X	1373326	TR-Nozzle EAB, 1.2 mm (10 pk)	10
	L501503	TR426-3327X	1373327	TR-Nozzle EAB, 1.4 mm (10 pk)	10
	L501504	TR426-3328X	1373328	TR-Nozzle EAB, 1.7 mm (10 pk)	10
	L501505	TR426-3329X	1373329	TR-Nozzle EAB, 2.0 mm (10 pk)	10
	L501506	TR426-3330X	1373330	TR-Nozzle EAB, 2.3 mm (10 pk)	10
	L501507	TR426-3331X	1373331	TR-Nozzle EAB, 2.7 mm (10 pk)	10
3	L501309	TR426-1309X		TR-Nozzle double, 1.0 mm (10 pk)	10
	L501310	TR426-1310X		TR-Nozzle double, 1.2 mm (10 pk)*	10
	L501311	TR426-1311X		TR-Nozzle double, 1.4 mm (10 pk)*	10
	L501312	TR426-1312X		TR-Nozzle double, 1.7 mm (10 pk)	10
	L501313	TR426-1313X		TR-Nozzle double, 2.0 mm (10 pk)*	10
	L501314	TR426-1314X		TR-Nozzle double, 2.3 mm (10 pk)	10
	L501315	TR426-1315X		TR-Nozzle double, 2.7 mm (10 pk)	10
4	L1700	TR407-9610	1589610	TR-Nozzle blow off EBM, 2.0 mm	1

\* Centricut parts available in single packs. To order single packs, remove the 'X' at the end of the part number (e.g. TR426-1308X would be TR426-1308). For Esse A parts available in single packs. To order single packs, remove the '50' after the L in the part number (e.g. L501308 would be L1308).



### Consumables

	Esse A part number	Centricut part number	Reference number	Description	Pkg qty
1	AL410	TR407-5673	1349171, 1755673	TR-Nozzle holder, ceramic	1
2	L1260	TR407-7264	1637264	TR-Nozzle focusing ZAA-01	1
3	L1885	TR407-9091	1809091	TR-Nozzle double EAQ, 6.0 mm	1
	L1886	TR407-9421	1809421	TR-Nozzle double EAQ, 7.5 mm	1
	L1887	TR407-6199	1886199	TR-Nozzle double EAQ, 9.5 mm	1
4	L1986	TR407-3046	1633046	TR-Nozzle EAC, 5.3 mm	1
5	L1700	TR407-9610	1589610	TR-Nozzle blow off EBM, 2.0 mm	1



**Consumables**

	Esse A part number	Centricut part number	Reference number	Description	Pkg qty
1	AL70	TR301-4485	234485	TR-Breakaway plate	1
2	AL108	TR301-0432	254493, 260432	TR-Nozzle holder, ceramic	1
3	AL36	TR301-4496	254496	TR-Cover, PTFE**	1
4	AL47	TR301-6153	256153	TR-Cover, PTFE** (white)	1
	AL347	TR301-6153T	955826	TR-Cover, PTFE** (black)	1
5	AL41	TR301-5286	225286	TR-Cover, PTFE**	1

\*Trumpf is a trademark of Trumpf SE + Co. KG. Centricut is in no way directly or indirectly affiliated with Trumpf SE + Co. KG. All parts are made by or for Centricut and are compatible with listed Trumpf product. Centricut is a registered trademark of Hypertherm, Inc.

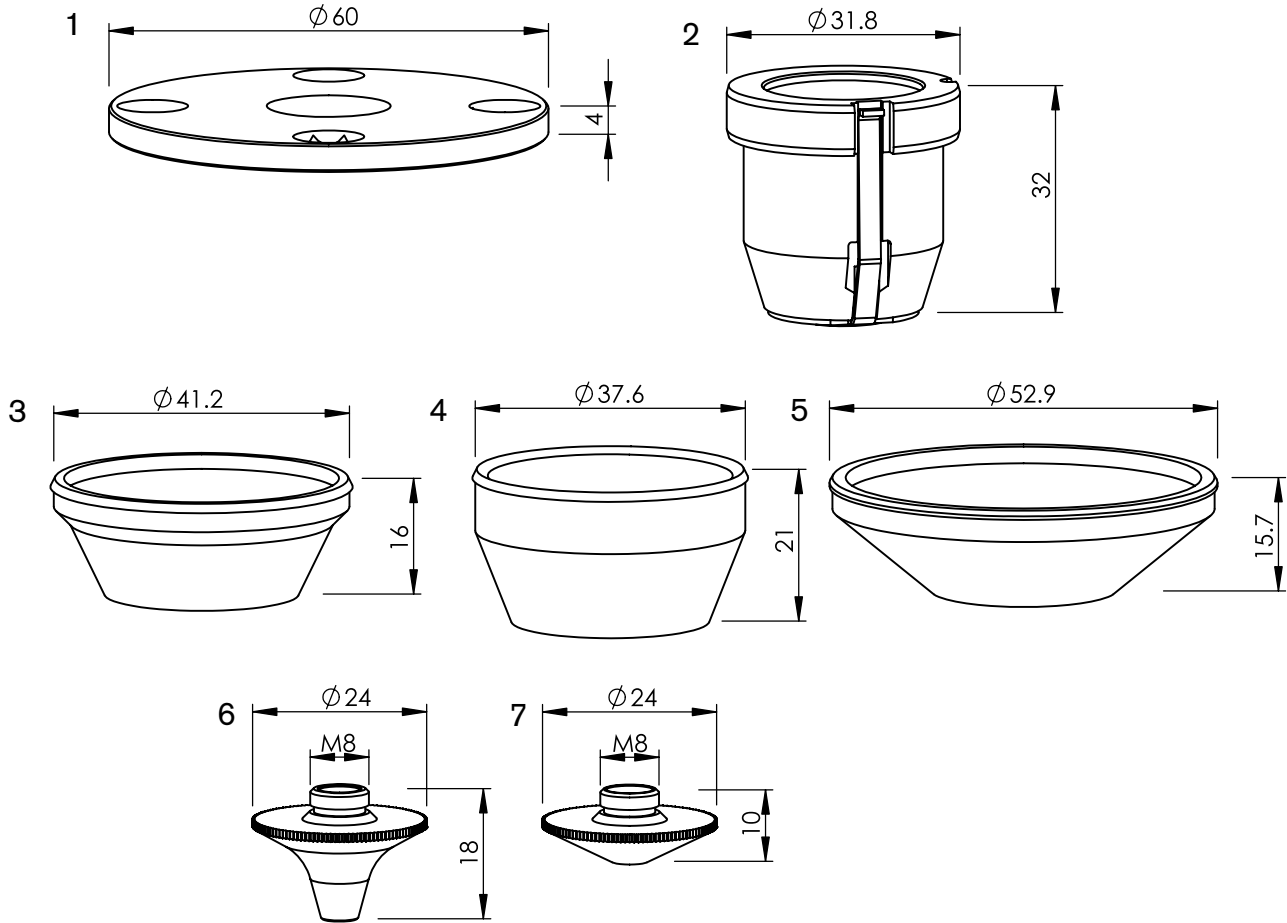
## Consumables

	Esse A part number	Centricut part number	Reference number	Description	Pkg qty
6	L3018	TR301-4561X	0124561, 237499	TR-Nozzle, 0.8 mm (10 pk)*	10
	L3019	TR301-4562X	0124562, 237498	TR-Nozzle, 1.0 mm (10 pk)*	10
	L30361	TR301-6809X	0966809	TR-Nozzle, 1.2 mm (10 pk)*	10
	L30795	TR301-0014X		TR-Nozzle, 1.4 mm (10 pk)*	10
	L3026	TR301-7500X	237500	TR-Nozzle, 1.5 mm (10 pk)*	10
	L30796	TR301-0017X		TR-Nozzle, 1.7 mm (10 pk)*	10
	L3024	TR301-7503X	237503, 1253211	TR-Nozzle, 2.0 mm (10 pk)*	10
	L30797	TR301-4564X	124564	TR-Nozzle, 2.3 mm (10 pk)*	10
	L3025	TR301-7504X	237504	TR-Nozzle, 3.0 mm (10 pk)	10
	L3018X	TR301-0561CPX	0352280	TR-Nozzle, 0.8 mm CP (10 pk)*	10
	L3019X	TR301-0562CPX	0352281	TR-Nozzle, 1.0 mm CP (10 pk)*	10
	L30361X	TR301-0809CPX	0352282	TR-Nozzle, 1.2 mm CP (10 pk)*	10
	L30795X	TR301-0014CPX		TR-Nozzle, 1.4 mm CP (10 pk)*	10
	L3026X	TR301-7500CPX	0352288	TR-Nozzle, 1.5 mm CP (10 pk)*	10
	L30796X	TR301-0017CPX		TR-Nozzle, 1.7 mm CP (10 pk)*	10
	L3024X	TR301-7503CPX		TR-Nozzle, 2.0 mm CP (10 pk)*	10
L30797X	TR301-4564CPX	124564	TR-Nozzle, 2.3 mm CP (10 pk)*	10	
7	L3020	TR301-7497X	0237497	TR-Nozzle HD, 1.4 mm (10 pk)*	10
	L3020X	TR301-1497CPX	352283	TR-Nozzle HD, 1.4 mm CP (10 pk)*	10
8	L258	TR301-7497-S	237497/S	TR-Nozzle HD, 1.4 mm	1
	L30258	TR301-0497X	237497/S	TR-Nozzle HD, 1.4 mm (10 pk)*	10
	L3021	TR301-7501X	0237501	TR-Nozzle HD, 1.7 mm (10 pk)*	10
	L30168	TR301-3211X	237502, 1253211	TR-Nozzle HD, 2.0 mm (10 pk)*	10
	L3076	TR301-6933X	0126933	TR-Nozzle HD, 2.3 mm (10 pk)*	10
	L30360	TR301-2742X	0942742	TR-Nozzle HD, 2.7 mm (10 pk)*	10
	L30258X	TR301-0497CPX		TR-Nozzle HD, 1.4 mm CP (10 pk)*	10
	L3021X	TR301-0501CPX	0352284	TR-Nozzle HD, 1.7 mm CP (10 pk)*	10
	L30168X	TR301-1002CPX	0237502, 352287	TR-Nozzle HD, 2.0 mm CP (10 pk)*	10
	L3076X	TR301-0933CPX	0352285	TR-Nozzle HD, 2.3 mm CP (10 pk)*	10
L30360X	TR301-0742CPX	0352286	TR-Nozzle HD, 2.7 mm CP (10 pk)*	10	
9	L3018XH	TR301-4561CPX	352280	TR-Nozzle, 0.8 mm HCP (10 pk)*	10
	L3019XH	TR301-4562CPX	352281	TR-Nozzle, 1.0 mm HCP (10 pk)*	10
	L30361XH	TR301-6809CPX	352282	TR-Nozzle, 1.2 mm HCP (10 pk)*	10
10	L3020XH	TR301-7497CPX	352283	TR-Nozzle HD, 1.4 mm HCP (10 pk)*	10
11	L30258XH	TR301-0014HCPX		TR-Nozzle HD, 1.4 mm HCP (10 pk)	10
	L3021XH	TR301-7501CPX	352284	TR-Nozzle HD, 1.7 mm HCP (10 pk)*	10
	L30168XH	TR301-0002CPX	237502, 1253212	TR-Nozzle HD, 2.0 mm HCP (10 pk)*	10
	L3076XH	TR301-6933CPX	352285	TR-Nozzle HD, 2.3 mm HCP (10 pk)*	10
	L30360XH	TR301-2742CPX	352286	TR-Nozzle HD, 2.7 mm HCP (10 pk)*	10

\* Centricut parts available in single packs. To order single packs, remove the 'X' at the end of the part number (e.g. TR355-0005X would be TR355-0005).

For Esse A parts available in single packs. To order single packs, remove the '30' after the L in the part number (e.g. L30640 would be L640).

\*\* PolyTetraFluoroEthylene is a fluorocarbon-based polymer and is commonly abbreviated PTFE. The Teflon® brand of PTFE is manufactured only by DuPont and is not sold by Hypertherm. Hypertherm purchases other brands of PTFE from various high quality manufacturers.



**Consumables**

	Esse A part number	Centricut part number	Reference number	Description	Pkg qty
1	AL70	TR301-4485	234485	TR-Breakaway plate	1
2	AL108	TR301-0432	254493, 260432	TR-Nozzle holder, ceramic	1
3	AL36	TR301-4496	254496	TR-Cover, PTFE**	1
4	AL47	TR301-6153	256153	TR-Cover, PTFE** (white)	1
	AL347	TR301-6153T	955826	TR-Cover, PTFE** (black)	1
5	AL41	TR301-5286	225286	TR-Cover, PTFE**	1
6	L1550	TR301-7773	1277773	TR-Nozzle, 0.8 mm	1
	L1551	TR301-7771	1277771	TR-Nozzle, 1.0 mm	1
	L1552	TR301-7774	1277774	TR-Nozzle, 1.2 mm	1
	L1553	TR301-7776	1277776	TR-Nozzle, 1.4 mm	1
	L1554	TR301-7779	1277779	TR-Nozzle, 1.7 mm	1

\*Trumpf is a trademark of Trumpf SE + Co. KG. Centricut is in no way directly or indirectly affiliated with Trumpf SE + Co. KG. All parts are made by or for Centricut and are compatible with listed Trumpf product. Centricut is a registered trademark of Hypertherm, Inc.

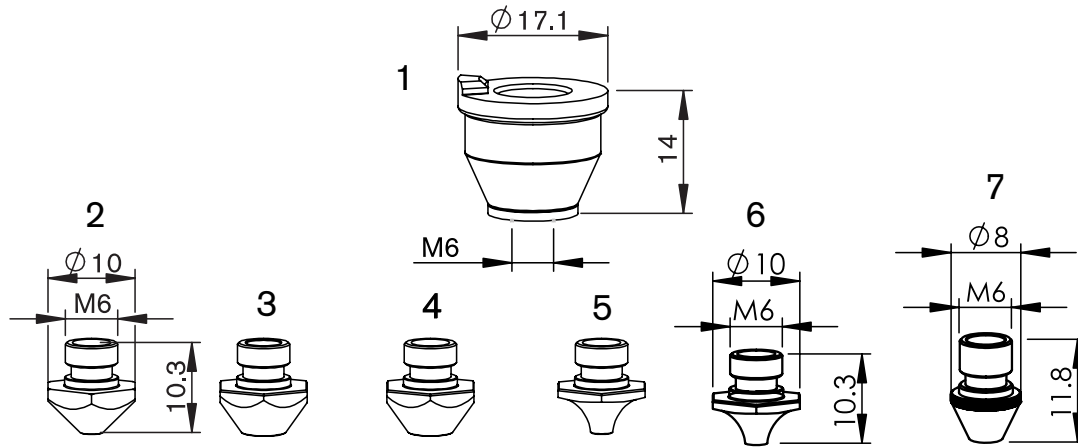
Consumables

	Esse A part number	Centricut part number	Reference number	Description	Pkg qty
7	L30641	TR355-0001X		TR-Nozzle double, 1.0 mm (10 pk)	10
	L30648	TR355-0006X		TR-Nozzle double, 1.2 mm (10 pk)*	10
	L30642	TR355-0002X		TR-Nozzle double, 1.4 mm (10 pk)*	10
	L30643	TR355-0003X		TR-Nozzle double, 1.7 mm (10 pk)*	10
	L30644	TR355-0007X		TR-Nozzle double, 2.0 mm (10 pk)*	10
	L30645	TR355-0004X		TR-Nozzle double, 2.3 mm (10 pk)*	10
	L30646	TR355-0008X		TR-Nozzle double, 2.7 mm (10 pk)	10
	L30647	TR355-0009X		TR-Nozzle double, 3.0 mm (10 pk)	10

\* Centricut parts available in single packs. To order single packs, remove the 'X' at the end of the part number (e.g. TR355-0005X would be TR355-0005).

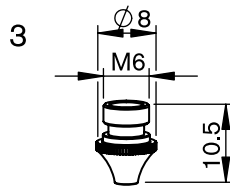
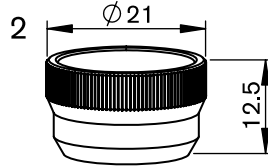
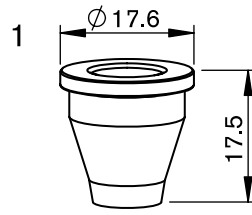
For Esse A parts available in single packs. To order single packs, remove the '30' after the L in the part number (e.g. L30640 would be L640).

\*\* PolyTetraFluoroEthylene is a fluorocarbon-based polymer and is commonly abbreviated PTFE. The Teflon® brand of PTFE is manufactured only by DuPont and is not sold by Hypertherm. Hypertherm purchases other brands of PTFE from various high quality manufacturers.


**Consumables**

	Esse A part number	Centricut part number	Reference number	Description	Pkg qty
1	AL653	TR302-2406 <b>Recommended</b>	280408, 092405, P0494-752-00001, 6930300016	TR-Nozzle holder KT M1.5" KN	1
	AL53	TR302-2405	280408, 092405, P0494-752-00001, 6930300016	TR-Nozzle holder KT M1.5" KN OEM	1
2	L40211	TR302-6939X	226939	TR-Nozzle, 1.0 mm (10 pk)*	10
	L40215	TR302-6940X	226940	TR-Nozzle HD, 1.4 mm (10 pk)*	10
	L40216	TR302-7144X	227144	TR-Nozzle HD, 1.7 mm (10 pk)*	10
3		TR302-7364X	237364	TR-Nozzle shower, 1.0 mm (10 pk)*	10
4	L401150	TR302-4230X	135420, 1354230	TR-Nozzle EBD, 0.8 mm (10 pk)*	10
	L40255	TR302-2334X	212334	TR-Nozzle EBD, 1.0 mm (10 pk)*	10
	L401150X	TR302-0008CPX		TR-Nozzle EBD, 0.8 mm CP (10 pk)	10
	L40255X	TR302-2334CPX		TR-Nozzle EBD, 1.0 mm CP (10 pk)	10
	L401151	TR302-0009X		TR-Nozzle EBD HD, 0.8 mm (10 pk)	10
	L40270	TR302-0004X	1736458	TR-Nozzle EBD HD, 1.0 mm (10 pk)*	10
	L40256	TR302-6199X	216199	TR-Nozzle EBD HD, 1.4 mm (10 pk)*	10
	L40257	TR302-5213X	225213	TR-Nozzle EBD HD, 1.7 mm (10 pk)*	10
	L401147	TR302-7009X	1487009, 1384753	TR-Nozzle EBD HD, 2.0 mm (10 pk)*	10
	L40277	TR302-6156X	126156	TR-Nozzle EBD HD, 2.3 mm (10 pk)*	10
	L401149	TR302-6125X		TR-Nozzle EBD HD, 2.5 mm (10 pk)	10
	L401152	TR302-0027X		TR-Nozzle EBD HD, 2.7 mm (10 pk)	10
	L401154	TR302-6198X	1479581	TR-Nozzle EBD HD, 1.2 mm (10 pk)*	10
	L40256X	TR302-6199CPX		TR-Nozzle EBD HD, 1.4 mm CP (10 pk)	10
	L40257X	TR302-5213CPX		TR-Nozzle EBD HD, 1.7 mm CP (10 pk)*	10
	L40277X	TR302-6156CPX		TR-Nozzle EBD HD, 2.3 mm CP (10 pk)	10
5	L40628	TR302-5318X		TR-Nozzle HD, 1.4 mm (10 pk)*	10
	L40629	TR302-0017X		TR-Nozzle HD, 1.7 mm (10 pk)*	10
6	L401153	TR302-0012X		TR-Nozzle HD, 1.2 mm (10 pk)	10
	L40268	TR302-0014X	135318	TR-Nozzle HD, 1.4 mm (10 pk)*	10
	L40269	TR302-6157X	126157	TR-Nozzle HD, 1.7 mm (10 pk)*	10
7	L402122	TR302-1409X	2241409	TR-Nozzle EBC, 2.0 mm (10 pk)	10
	L402123	TR302-5524X	2085524	TR-Nozzle EBC, 2.6 mm (10 pk)	10
	L402121	TR302-1406X	2241406	TR-Nozzle EBC X31, 1.6 mm (10 pk)	10
	L402119	TR302-1407X	2241407	TR-Nozzle EBC X12, 1.8 mm (10 pk)	10
	L402124	TR302-1524X	2241524	TR-Nozzle EBC X35, 2.6 mm (10 pk)	10

\* Centricut parts available in single packs. To order single packs, remove the 'X' at the end of the part number (e.g. TR302-4230X would be TR302-4230).  
 For Esse A parts available in single packs. To order single packs, remove the '40' after the L in the part number (e.g. L401150 would be L1150).



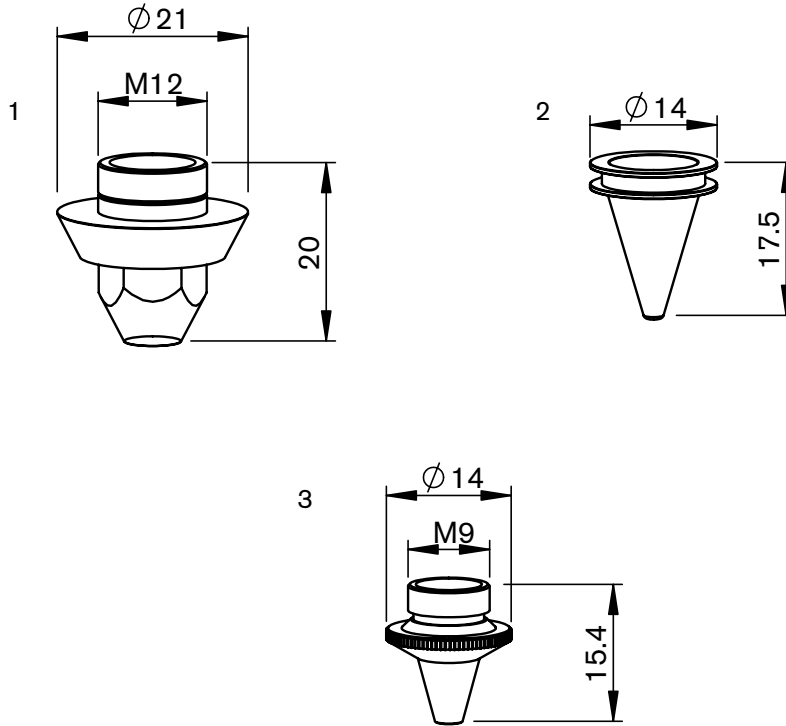
## Consumables

	Esse A part number	Centricut part number	Reference number	Description	Pkg qty
	AL389	TR302-0354 (not shown)	960354	TR-Insulating, PTFE**	1
1	AL212	TR302-6678 <b>Recommended</b>	936678, 913966/00-WO, 2509767	TR-Nozzle holder, ceramic	1
		TR302-6678OEM	936678, 913966/00-WO	TR-Nozzle holder, ceramic OEM	1
2	AL254	TR352-3965	913965	TR-Retainer nut	1
3	L40500	TR352-3799X	913799	TR-Nozzle EBG HD, 0.8 mm (10 pk)*	10
	L40501	TR352-3800X	913800	TR-Nozzle EBG HD, 1.0 mm (10 pk)*	10
	L40498	TR352-7034X	1487034	TR-Nozzle EBG HD, 1.2 mm (10 pk)*	10
	L40502	TR352-3801X	913801	TR-Nozzle EBG HD, 1.4 mm (10 pk)*	10
	L40503	TR352-7988X	937988	TR-Nozzle HD, 1.7 mm (10 pk)*	10
	L40499	TR352-7991X		TR-Nozzle HD, 1.75 mm (10 pk)*	10
	L40508	TR352-7990X	1487036	TR-Nozzle HD, 2.0 mm (10 pk)*	10
	L40504	TR352-7989X	937989	TR-Nozzle EBF HD, 2.3 mm (10 pk)*	10
	L40501X	TR352-3800CPX		TR-Nozzle EBG HD, 1.0 mm CP (10 pk)*	10
	L40502X	TR352-3801CPX		TR-Nozzle EBG HD, 1.4 mm CP (10 pk)*	10
	L40503X	TR352-7988CPX		TR-Nozzle HD, 1.7 mm CP (10 pk)*	10
	L40508X	TR352-7990CPX		TR-Nozzle HD, 2.0 mm CP (10 pk)*	10
	L40504X	TR352-7989CPX	937989	TR-Nozzle EBF HD, 2.3 mm CP (10 pk)*	10

\* Centricut parts available in single packs. To order single packs, remove the 'X' at the end of the part number (e.g. TR302-4230X would be TR302-4230).

For Esse A parts available in single packs. To order single packs, remove the '40' after the L in the part number (e.g. L401150 would be L1150).

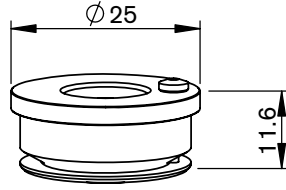
\*\* PolyTetraFluoroEthylene is a fluorocarbon-based polymer and is commonly abbreviated PTFE. The Teflon® brand of PTFE is manufactured only by DuPont and is not sold by Hypertherm. Hypertherm purchases other brands of PTFE from various high quality manufacturers.



**Consumables**

	Esse A part number	Centricut part number	Reference number	Description	Pkg qty
1	L1010X	TR352-2530CP	932530	TR-Nozzle, 4.5 mm CP	1
2	L505	TR414-0012	12-11-09-17/00	TR-Nozzle YAG w/o-ring, 1.2 mm	1
3	L30405	PT344-1813X	281813, P0589-424-00008	PT-Nozzle, 0.8 mm (10 pk)*	10
	L30406	PT344-1789X	281789, P0589-426-00010	PT-Nozzle, 1.0 mm (10 pk)*	10
	L30404	PT344-1561X	281561, 778550, P0589-425-00012	PT-Nozzle, 1.2 mm (10 pk)*	10
	L30407	PT344-1499X	281814, 149957	PT-Nozzle, 1.5 mm (10 pk)*	10
	L30408	PT344-0020X	P0589-428-00020	PT-Nozzle, 2.0 mm (10 pk)	10

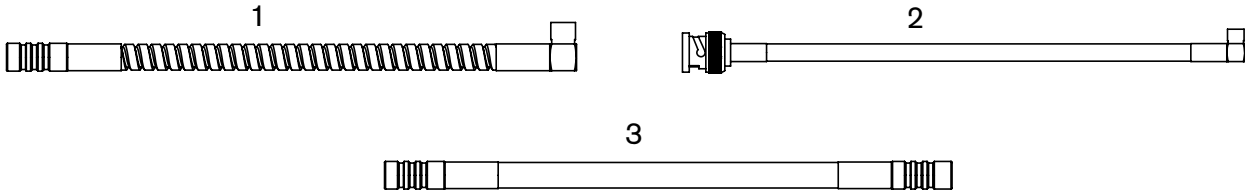
\* Centricut parts available in single packs. To order single packs, remove the 'X' at the end of the part number (e.g. TR355-0005X would be TR355-0005). For Esse A parts available in single packs. To order single packs, remove the '30' after the L in the part number (e.g. L30640 would be L640).



**Consumables**

	Esse A part number	Centricut part number	Reference number	Description	Pkg qty
1	AL38	TR301-8809	258809, 243839, 247894	TR-Nozzle holder, ceramic	1

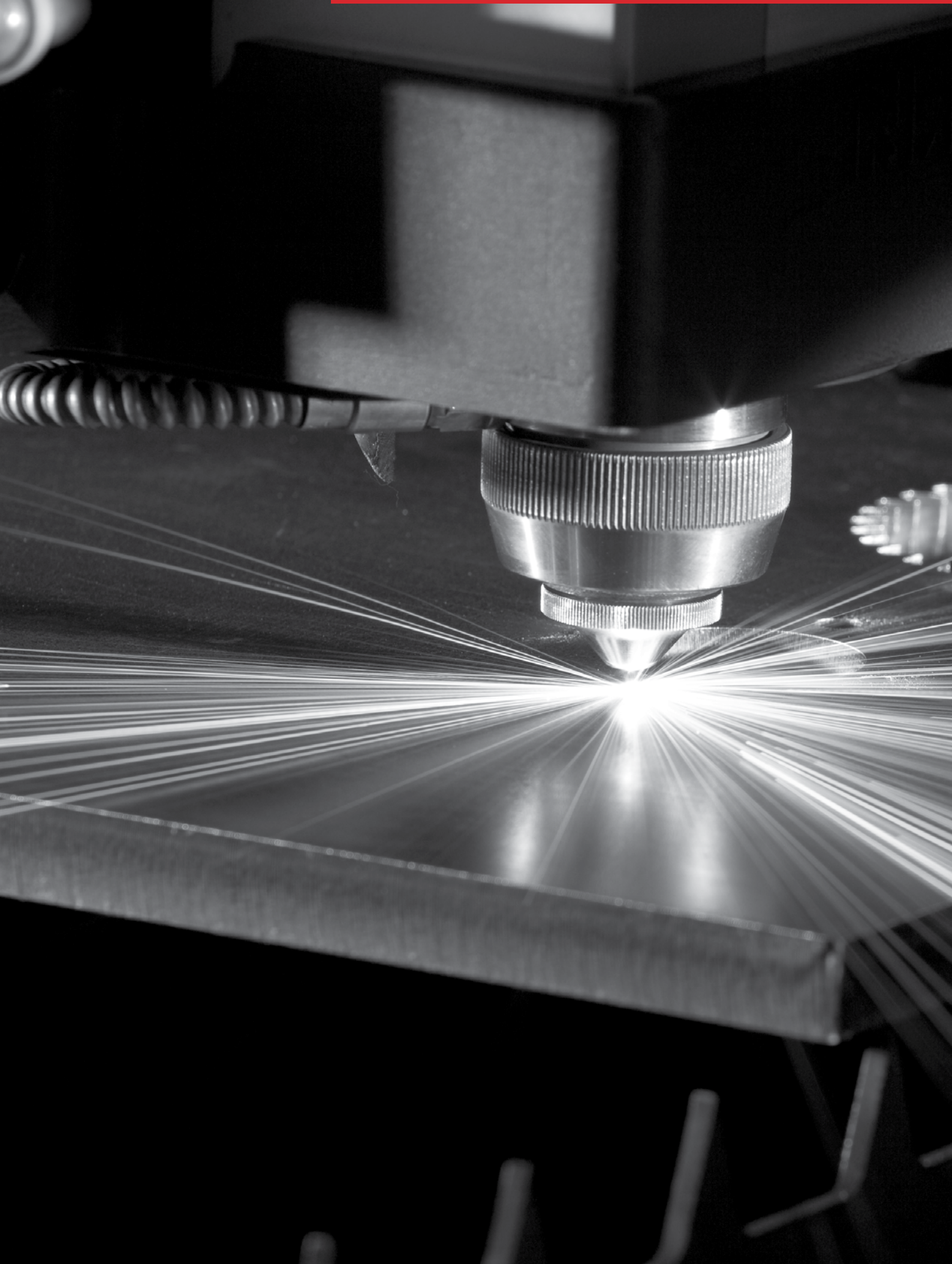
\* Centricut parts available in single packs. To order single packs, remove the 'X' at the end of the part number (e.g. TR355-0005X would be TR355-0005).  
For Esse A parts available in single packs. To order single packs, remove the '30' after the L in the part number (e.g. L30640 would be L640).



Consumables

	Esse A part number	Centricut part number	Reference number	Description	Pkg qty
1	AL642	TR301-9983	342474, 359983	TR-Sensor cable, 190 mm (7.5") armored	1
2	AL641	TR301-7833	227833	TR-Sensor cable, 432 mm (17")	1
3	AL640	TR301-0930	280930	TR-Sensor cable, 152 mm (6") armored	1

\*Trumpf is a trademark of Trumpf SE + Co. KG. Centricut is in no way directly or indirectly affiliated with Trumpf SE + Co. KG. All parts are made by or for Centricut and are compatible with listed Trumpf product. Centricut is a registered trademark of Hypertherm, Inc.



# Sensor cones



## Centricut sensor cones provide substantial cost savings without sacrificing performance or quality

- Available for Amada, Mazak, Mitsubishi and Precitec
- Delivers the same OEM performance at a lower cost
- Unmatched performance and reliability
- Engineered and manufactured to Hypertherm's precise quality standards
- Backed by our one-year warranty and 100% satisfaction guarantee

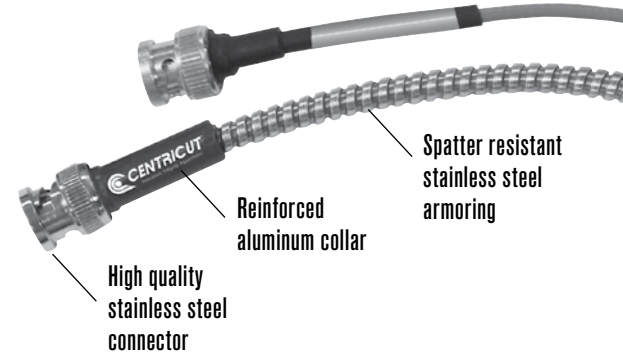
Esse A part number	Centricut part number	OEM	Reference number	Description
AL600	AM343-0091	Amada	71360091	AM-Sensor cone, HS95 mini
AL601	AM343-1621*	Amada	71341621	AM-Sensor cone, HS95
AL603	AM343-9107	Amada	ECO cone	AM-Sensor cone, ECO
AL602	AM343-1690	Amada	71341690	AM-Sensor cone, HS98
AL550	AM343-L3015C	Amada	71374509	PT-Sensor cone, LC3015
	AM343-2443	Amada	7172443, 771041	AM-Sensor cone, HPL Blue
AL551	AM343-4233B*	Amada	71564233	AM-Sensor cone, HPL Black
AL552	AM343-4233G*	Amada	71564233	AM-Sensor cone, HPL Gold
AL611	PT347-3323	Mazak	HNP	PT-Sensor cone, HNP
AL605	MZ335-HNPS*	Mazak	HNPS	MZ-Sensor cone, HNP short version
	PT347-0007	Mazak	56743300500	PT-Sensor cone, HNZ (Mazak)
AL607	PT347-0011*	Mitsubishi	P0354-110-00002	PT-Sensor cone, HNZ (Mitsubishi)
AL604	MB334-W429A	Mitsubishi	P0461-270-00001	MB-Sensor cone, W429A
AL608	PT347-0238*	Precitec	BQ930D238G01	PT-Sensor cone, HNZ SMA
AL612	PT347-8001	Precitec	P0361-203-00001	PT-Sensor cone, 2.5Z/J
AL609	PT347-0522*	Precitec	P0599-520-00002	PT-Sensor cone, LRC
AL610	PT347-1145	Precitec	P0380-140-0002, P0380-130-00001, 281145	PT-Sensor cone, DZ

\*Sensor cone repair service is available for most sensor cones in North America and select international regions. For more information contact [Ctlaser@Hypertherm.com](mailto:Ctlaser@Hypertherm.com).

# Armored sensor cables

## Centricut armored sensor cables outlast standard OEM cables

- Available for all major brands
- Robust design with extreme temperature rating (900–1200°)
- Longer life reduces downtime and production loss
- Spatter resistant stainless steel armoring
- Reinforced collars and high-quality connector



### Armored sensor cables

Esse A part number	Centricut part number	OEM	Reference number	Description
AL260	AM308-8965	Amada	71398965	AM-Sensor cable, 305 mm (12")
AL613	AM308-8965A	Amada	71398965	AM-Sensor cable, 305 mm (12") armored
AL200	AM313-1901	Amada	71341630	AM-Sensor cable HS-5, 305 mm (12")
	AM313-1901A	Amada	71341630	AM-Sensor cable HS-5, 305 mm (12") armored
AL615	AM313-8292	Amada	71398292	AM-Sensor cable dual shield, 7 m (275.6")
	AM313-9851A	Amada	71369851	AM-Sensor cable, 203 mm (8") armored
AL616	CN306-0654A	Cincinnati	909654, 922686	CN-Sensor cable, 114 mm (4.5") armored
AL617	CN306-0951A	Cincinnati	842951	CN-Sensor cable, 140 mm (5.5") armored
AL618	CN306-2951	Cincinnati	842951, PLTTW0015	CN-Sensor cable, 140 mm (5.5")
AL619	CN306-9654	Cincinnati	909654, 922686, PLTTW0002	CN-Sensor cable, 114 mm (4.5")
AL620	MZ335-0111A	Mazak	4674330111	MZ-Sensor cable, 280 mm (11") armored
AL621	MZ335-0181A	Mazak	46743300181	MZ-Sensor cable, 317.5 mm (12.5") armored
AL622	MZ335-1330A	Mazak	46683301330	MZ-Sensor cable, 305 mm (12") armored
AL643	MZ335-1980A	Mazak	46683301980	MZ-Sensor cable, 280 mm (11") armored
	MZ335-5320	Mazak	6143355320	MZ-Sensor cable, 61.5 mm (2.4") armored
AL623	MZ335-630A	Mazak	00BSBA630MNC	MZ-Sensor cable, 630 mm (25") armored
AL368	MZ335-8290	Mazak	46143308290	MZ-Sensor cable, 75 mm (3")
AL624	NT426-1682	NTC	4R029911-001, J482D	NT-Sensor cable, 216 mm (8.5")
AL625	NT426-4991	NTC	3-0104991	NT-Sensor cable 0-OBNC/MCX, 482 mm (19")
AL626	NT426-7492	NTC	3-0117492	NT-Sensor cable 90BNC/90BNC, 482 mm (19")
AL627	NT426-8677	NTC	4R028677-001	NT-Sensor cable, 508 mm (20") armored
AL628	PR361-3150	Prima	820.63.150	PR-Sensor cable, 150 mm (5.9")
AL629	PR361-3151	Prima	820.63.150	PR-Sensor cable, 150 mm (6") high profile
AL560	PR361-3160	Prima	555.63.150	PR-Sensor cable, 210 mm (8 17/64")
AL633	PT347-0101A	Precitec	P0360-100-00500	PT-Sensor cable, 500 mm (20") armored
AL358	PT347-0181	Precitec	46743300181	PT-Sensor cable, 305 mm (12") armored
AL635	PT347-0300A	Precitec	P0492-014-00300	PT-Sensor cable KE, 300 mm (11.8") armored
	PT347-0450	Precitec	P0497-002-00450	PT-Sensor cable, 450 mm (17.7")
AL639	PT347-KS13	Precitec/ Gunkyo	00BMTKA-A-HS500mm	PT-Sensor cable, 390 mm (15.5") armored
AL637	PT347-1250	Precitec	D5001-040-00250	PT-Sensor cable, 250 mm (9.8") armored
AL640	TR301-0930	Trumpf	280930	TR-Sensor cable, 152 mm (6") armored
AL641	TR301-7833	Trumpf	227833	TR-Sensor cable, 432 mm (17")
AL642	TR301-9983	Trumpf	359983, 342474	TR-Sensor cable, 190 mm (7.5") armored

# Lens cleaning tips



## Centricut supplies suitable for all OEM CO<sub>2</sub> and fiber laser lenses

- Lens maintenance base is designed to secure a wide range of optics sizes for the cleaning process
- Centricut optical cleaning fluid is a safe, economical alternative to traditional high-purity and reagent-grade solvents
- Cleaning materials suited for all lens cleaning needs; lens paper, polyester swabs and polyester wipes

### Lens paper

Recommended for the routine maintenance cleaning of flat lenses.

### Polyester swabs

Recommended for cleaning curved lenses and where a more aggressive cleaning is required (interchangeable with polyester wipes).

### Polyester wipes

Recommended for cleaning CO<sub>2</sub> and fiber lenses and windows (interchangeable with polyester swabs and lens paper).

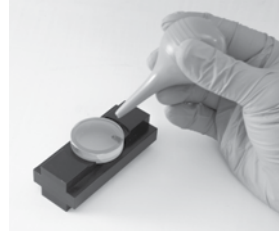
Product description	Part number	Quantity per order
Optical cleaning fluid (3 oz.)	TR300-1112	1
Lens cleaning swab	TR300-0699	25
Lens cleaning paper, Tiffen	TR300-6452	50
Polyester wipes 4" x 4"	TR300-7991	100
Base, lens maintenance	TR300-271	1

## Lens paper

Recommended for the routine maintenance cleaning of flat lenses.

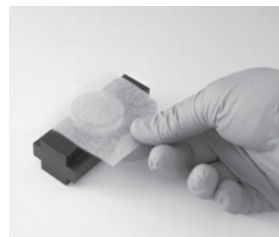
### You will need:

- Lens maintenance base (lens holder)
- Optical cleaning fluid
- Air bulb
- Lint-free lens paper
- Latex or rubber gloves



### To get started

Using rubber gloves, place the lens in the lens holder and remove all loose contaminants with an air bulb. When contaminants are no longer visible, begin the cleaning process.



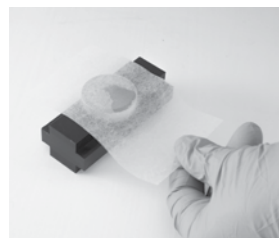
### Step 1

Place lens paper over the optic, covering it completely.



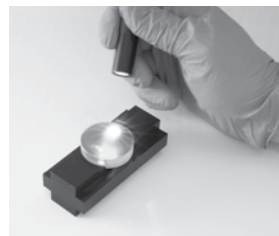
### Step 2

Apply a couple drops of lens cleaning fluid to the lens paper (far side of the lens).



### Step 3

Slowly pull the lens paper across the lens so the cleaning fluid comes in contact with the entire lens surface. Finish pulling the paper across so all of the fluid has dried from the lens.



### Step 4

Inspect the surface of the lens for dust and cleaning residue using a flashlight. Examine the lens from different angles. Repeat the process on the other side of the lens.

### Final step:

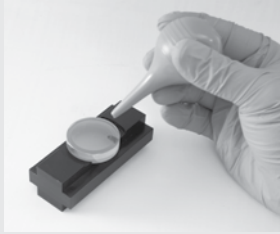
Place the cleaned lens in the machine quickly to avoid contamination from airborne particles. If spots, pits, or scratches are still noticeable, the lens may need to be replaced.

## Polyester swabs

Recommended for cleaning curved lenses and where more aggressive cleaning is required. Interchangeable with polyester wipes.

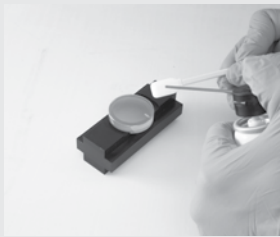
### You will need:

- Lens maintenance base (lens holder)
- Optical cleaning fluid
- Air bulb
- Polyester swabs
- Latex or rubber gloves



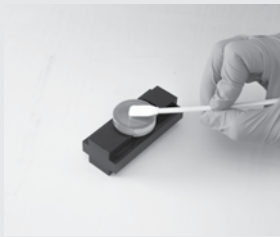
### To get started

Using rubber gloves, place the lens in the lens holder and remove all loose contaminants with an air bulb. When contaminants are no longer visible, begin the cleaning process.



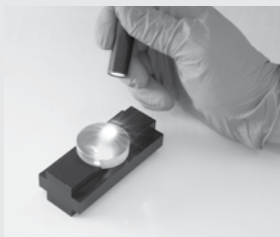
### Step 1

Place a few drops of the optical cleaning fluid onto the swab.



### Step 2

Move the larger dirt particles and then finer contaminants to the edge of the lens using the swab. Do not rest the swab on the lens or on the work table. Do not reuse swabs.



### Step 3

Inspect the surface of the lens for dust and cleaning residue using a flashlight. Examine the lens from different angles. Repeat the process on the other side of the lens.

### Final step:

Place the cleaned lens in the machine quickly to avoid contamination from airborne particles. If spots, pits, or scratches are still noticeable, the lens may need to be replaced.

## Polyester wipes

Recommended for cleaning CO<sub>2</sub> and fiber lenses and windows. Interchangeable with polyester swabs and lens paper.

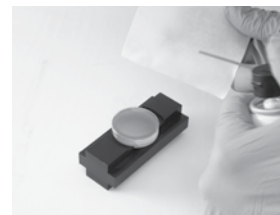
### You will need:

- Lens maintenance base (lens holder)
- Optical cleaning fluid
- Air bulb
- Polyester wipes
- Latex or rubber gloves



### To get started

Using rubber gloves, place the lens in the lens holder and remove all loose contaminants with an air bulb. When contaminants are no longer visible, begin the cleaning process.



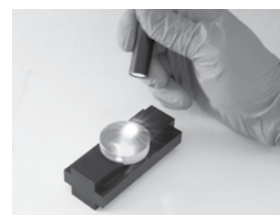
### Step 1

Place a few drops of the optical cleaning fluid onto the polyester wipe.



### Step 2

Place the wipe with the wet side down on the lens and slide it across the lens, applying light pressure to the top of the wipe. Avoid contamination to the wipe and do not reuse wipes.



### Step 3

Inspect the surface of the lens for dust and cleaning residue using a flashlight. Examine the lens from different angles. Repeat the process on the other side of the lens.

### Final step:

Place the cleaned lens in the machine quickly to avoid contamination from airborne particles. If spots, pits, or scratches are still noticeable, the lens may need to be replaced.

# Steps to help optimize cut quality.

Striation marks, angularity and dross tell the story.

Optimizing CO<sub>2</sub> and fiber lasers to achieve maximum cut quality is a very important step in the overall cutting process. The critical points that produce good cuts are the width of the kerf (the material that is lost during the cut), oxidation and roughness of the cut surface, the geometry of the cut parts and the allowable tolerances. Some factors to be considered are the cut speed or 'feed rate', beam focus, gas pressure, standoff and nozzle size/type.

## Factory cut chart settings

The following samples show 12 mm, 6 mm and 3.2 mm (1/2", 1/4" and 10 ga.) mild steel, cut with O<sub>2</sub> on a 2 kW fiber laser with one variable changed to show how cut quality is affected. The adjustments will be similar for all CO<sub>2</sub> and fiber laser, cutting mild steel with O<sub>2</sub>.

## Is the kerf too narrow?

When the kerf is too narrow the cut will have a very smooth edge on the top, a lack of oxidation on the bottom and/or heavy dross.

### Probable causes:

- Focus is too low
- Feed rate is too fast
- Gas pressure is too low
- Nozzle size is too small
- Standoff is too low

### Follow these steps to optimize cut quality:

1. Use the closest known settings for the material being cut.
2. Use a test part that has both interior and exterior features.
3. Verify that the lens and/or window is clean and in good condition.
4. Verify that the nozzle is centered properly and is in good condition.
5. Adjust the focus up and down until the cut quality starts to get bad and then set to the middle of that range.
6. Adjust the gas pressure up and down until the cut starts to get bad and then set to the middle of that range.
7. Adjust the feed rate up by 5% increments. When the cut starts to get bad, set the feed rate 10% slower.

## Strike a balance between heat levels and gas flow

Cutting mild steel with a laser is a balance of how much material is heated by the laser beam and how much assist gas flows through the cut.

- Heating up too small of an area, or not having enough assist gas flow through the cut will result with the kerf (width of the cut) being too narrow.
- Heating up too large of an area or having too much assist gas flow through the cut will result in the kerf being too wide.

## Is the kerf too wide?

When the kerf is too wide the cut will have a rougher edge, more self burning in the corners of the part, more angularity on the cut edge and occasionally, dross.

### Probable causes:

- Focus is too high
- Feed rate is too slow
- Gas pressure is too high
- Nozzle size is too big
- Standoff is too high
- Incorrect nozzle type

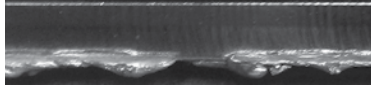
## 3.2 mm (10 ga.) mild steel cut resulting in too narrow kerf

### Factory cut chart settings



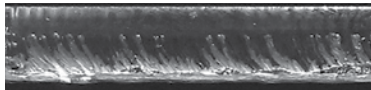
### Focus is too low

The kerf is too narrow and doesn't allow enough O<sub>2</sub> into the cut to remove all the molten material.



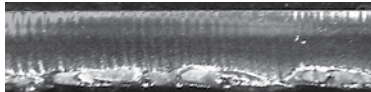
### Feed rate is too fast

The cut striations are trailing the direction of cutting and there is not enough time to remove all the molten material.



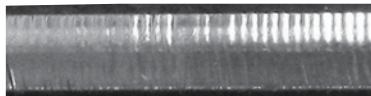
### Gas pressure is too low

There is not enough O<sub>2</sub> to remove all the molten material.



### Stand off is too low

The focus spot is in the wrong location, causing the rough edge.



Cut direction

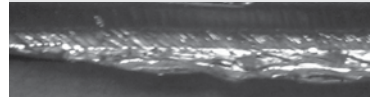
## 3.2 mm (10 ga.) mild steel cut resulting in too wide kerf

### Factory cut chart settings



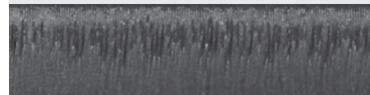
### Focus is too high

The laser is melting more material than can be removed from the cut.



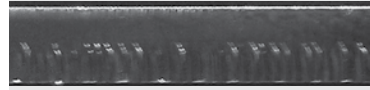
### Feed rate is too slow

The cut surface is too rough and productivity is decreased.



### Gas pressure is too high

Too much O<sub>2</sub> results in overheating of the cut and causes intermittent gouges.



### Stand off is too high

The laser is melting more material than can be removed from the cut.



### Nozzle size is too big

Too much O<sub>2</sub> results in overheating of the cut and causes intermittent gouges.

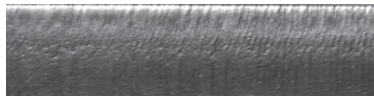


Cut direction

\*Above samples have been cut with O<sub>2</sub> on 2 kW fiber laser. Results will be similar for CO<sub>2</sub> laser cutting mild steel with O<sub>2</sub>.

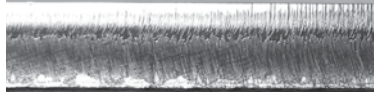
## 6 mm (1/4") mild steel cut resulting in too narrow kerf

### Factory cut chart settings



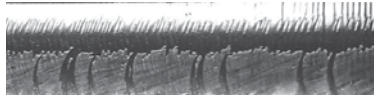
### Focus is too low

The kerf is too narrow and doesn't allow enough O<sub>2</sub> into the cut to remove all the molten material.



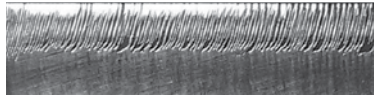
### Feed rate is too fast

The cut striations are trailing the direction of cutting and there is not enough time to remove all the molten material.



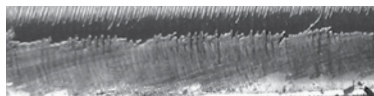
### Gas pressure is too low

There is not enough O<sub>2</sub> to remove all the molten material.



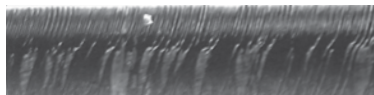
### Stand off is too low

The focus spot is in the wrong location, causing the rough edge.



### Nozzle size is too small

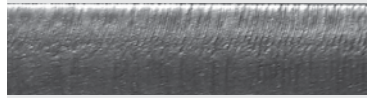
There is not enough O<sub>2</sub> to cut uniformly.



Cut direction

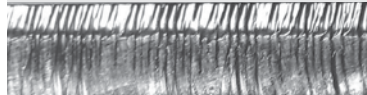
## 6 mm (1/4") mild steel cut resulting in too wide kerf

### Factory cut chart settings



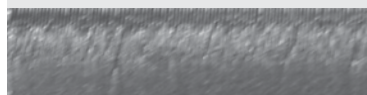
### Focus is too high

The wider focus spot is letting too much O<sub>2</sub> into the cut and burning the material.



### Feed rate is too slow

The cut surface is too rough and productivity is decreased.



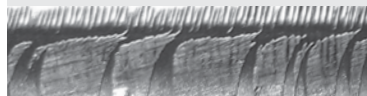
### Gas pressure is too high

Too much O<sub>2</sub> is entering the cut, causing a rougher edge and inconsistent cutting.



### Stand off is too high

Too much O<sub>2</sub> is entering the cut, causing a rougher edge and inconsistent cutting.



### Nozzle size is too big

Too much O<sub>2</sub> results in overheating of the cut and causes intermittent gouges.



### Nozzle type is incorrect

The shape of the gas flow is incorrect, causing a rougher edge.

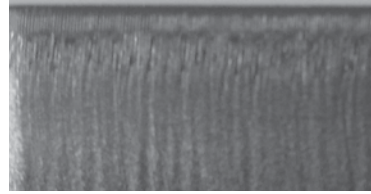
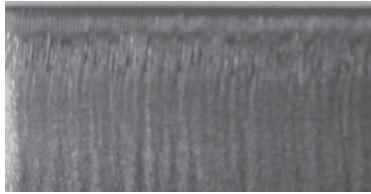


Cut direction

\*Above samples have been cut with O<sub>2</sub> on 2 kW fiber laser. Results will be similar for CO<sub>2</sub> laser cutting mild steel with O<sub>2</sub>.

# 12 mm (1/2") mild steel cut resulting in too narrow kerf

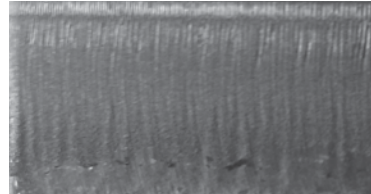
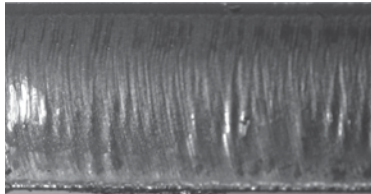
## Factory cut chart settings



## Factory cut chart settings

### Focus is too low

The kerf is too narrow and doesn't allow enough O<sub>2</sub> into the cut to remove all the molten material.

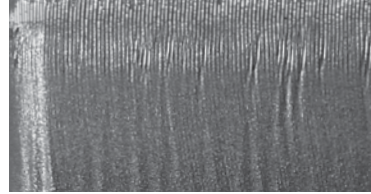
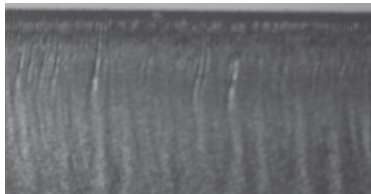


### Stand off is too low

The kerf is too narrow to allow enough O<sub>2</sub> into the cut. The oxidation is not covering the entire surface and cutting will be inconsistent.

### Feed rate is too fast

The machine is moving too fast to allow enough O<sub>2</sub> into the cut for consistent cutting.

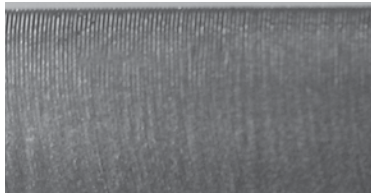


### Nozzle size is too small

There is not enough O<sub>2</sub> to cut uniformly.

### Gas pressure is too low

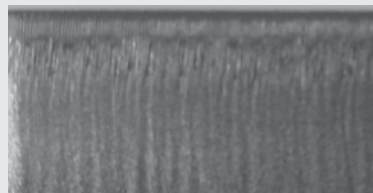
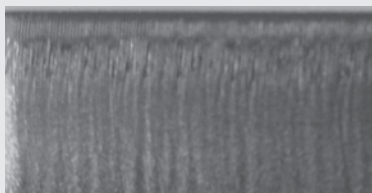
The pressure is too low to allow enough O<sub>2</sub> into the cut. The oxidation is not covering the entire surface and cutting will be inconsistent.



\*Above samples have been cut with O<sub>2</sub> on 2 kW fiber laser. Results will be similar for CO<sub>2</sub> laser cutting mild steel with O<sub>2</sub>.

## 12 mm (1/2") mild steel cut resulting in too wide kerf

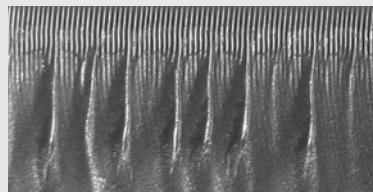
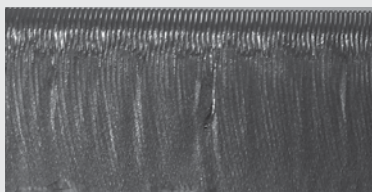
### Factory cut chart settings



### Factory cut chart settings

### Focus is too high

Too much O<sub>2</sub> is entering the cut causing intermittent over burning.

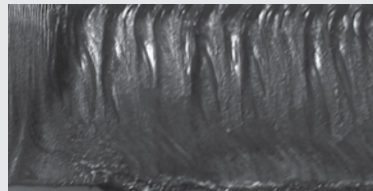
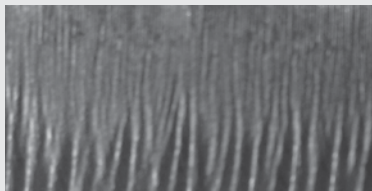


### Stand off is too high

Too much O<sub>2</sub> is entering the cut resulting in intermittent over burning.

### Feed rate is too slow

The machine is moving too slow resulting in the over burning of the bottom half of the cut. The slower feed rate also reduces productivity.

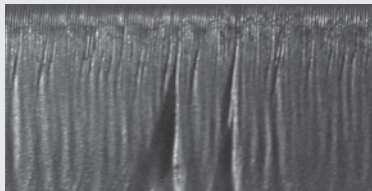


### Incorrect nozzle type

The gas flow shape is not correct resulting in inconsistent cutting.

### Gas pressure is too high

Too much O<sub>2</sub> is entering the cut resulting in intermittent over burning.



\*Above samples have been cut with O<sub>2</sub> on 2 kW fiber laser. Results will be similar for CO<sub>2</sub> laser cutting mild steel with O<sub>2</sub>.





## Technical support and customer service

Our technical service team can answer questions about any laser cutting system. Whether it's a question about a part, a system or for guidance on how to optimize laser cutting performance, our experts can help.

- OEM trained technicians with over 40 years experience
- Free application support for all laser OEMs
- We stand behind our products with industry-leading technical expertise



Contact a laser expert [contact@indpart.com](mailto:contact@indpart.com)

# SHAPING POSSIBILITY<sup>®</sup>

PLASMA | LASER | WATERJET | AUTOMATION | SOFTWARE | CONSUMABLES

For more information on Centricut laser products, visit [www.indpart.com](http://www.indpart.com) or contact us: [contact@indpart.com](mailto:contact@indpart.com)



Official Distributor  
**ROMAX**  
Centricut  
LASER CONSUMABLES

Hypertherm, Centricut, SilverLine and CoolFlow are trademarks of Hypertherm, Inc., and may be registered in the United States and/or other countries. All other trademarks are the property of their respective owners.

Please visit [www.hypertherm.com/patents](http://www.hypertherm.com/patents) for more details about Hypertherm Associates patent numbers and types.

© 4/2025 Hypertherm, Inc.

As 100% Associate owners, we are all focused on delivering a superior customer experience.  
[www.hyperthermassociates.com/ownership](http://www.hyperthermassociates.com/ownership)

Environmental stewardship is one of Hypertherm Associates' core values. [www.hyperthermassociates.com/environment](http://www.hyperthermassociates.com/environment)



100% Associate-owned

